

LOC	DIST	REVISIONS					
A	00	P	LTR	DESCRIPTION	DATE	DWN	APVD
			B1	SEE PRODUCT DRAWING	-	-	-


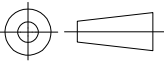
SEE PRODUCTION DRAWING
 680050

RELEASED FOR PUBLICATION

ALL RIGHTS RESERVED.

THIS DRAWING IS UNPUBLISHED.

© COPYRIGHT - By -

DIMENSIONS: INCHES	DWN	M.YOUNGER	07AUG2012	MATERIAL	-	FINISH	-
	CHK	G.BAILEY	07AUG2012	 TE Connectivity			
TOLERANCES UNLESS OTHERWISE SPECIFIED:	APVD	G.BAILEY	07AUG2012				
0 PLC ± -	PRODUCT SPEC	NAME END FEED HDM APPLICATOR					
1 PLC ± -	APPLICATION SPEC						
2 PLC ± -	WEIGHT	SIZE CAGE CODE DRAWING NO RESTRICTED TO					
3 PLC ± -		A4	00779	C-680050	-		
4 PLC ± -		CUSTOMER DRAWING				SCALE	1:1
ANGLES ± -						SHEET	1 OF 1
						REV	B1