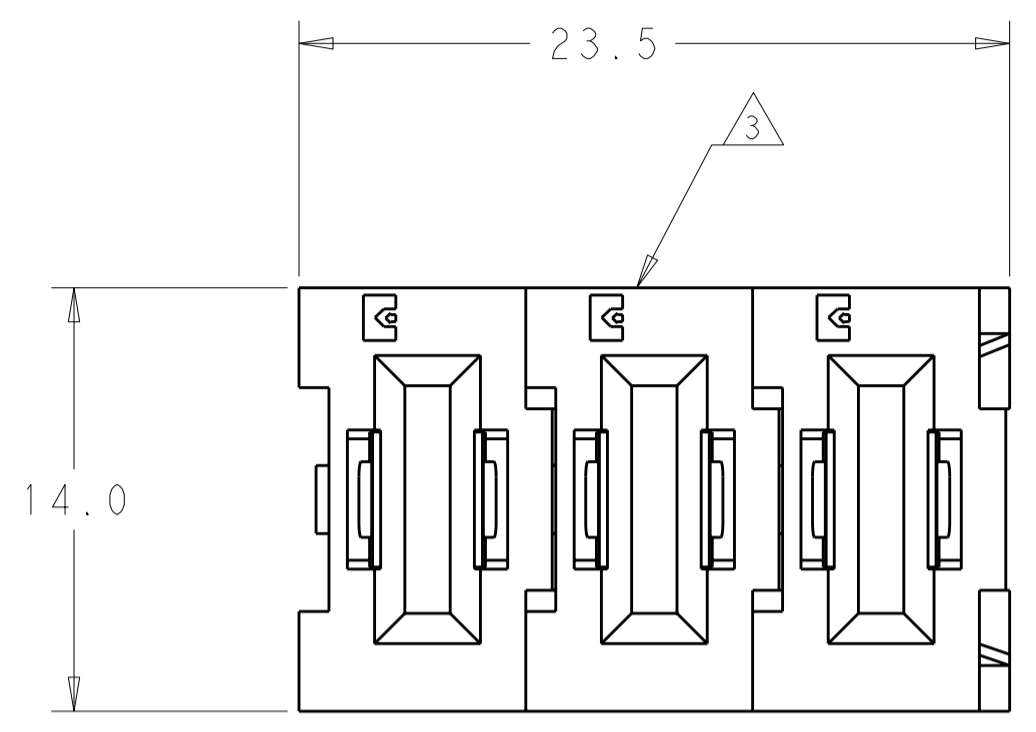


THIS DRAWING IS UNPUBLISHED. RELEASED FOR PUBLICATION 20  
 © COPYRIGHT 20 BY TYCO ELECTRONICS CORPORATION. ALL INTERNATIONAL RIGHTS RESERVED.

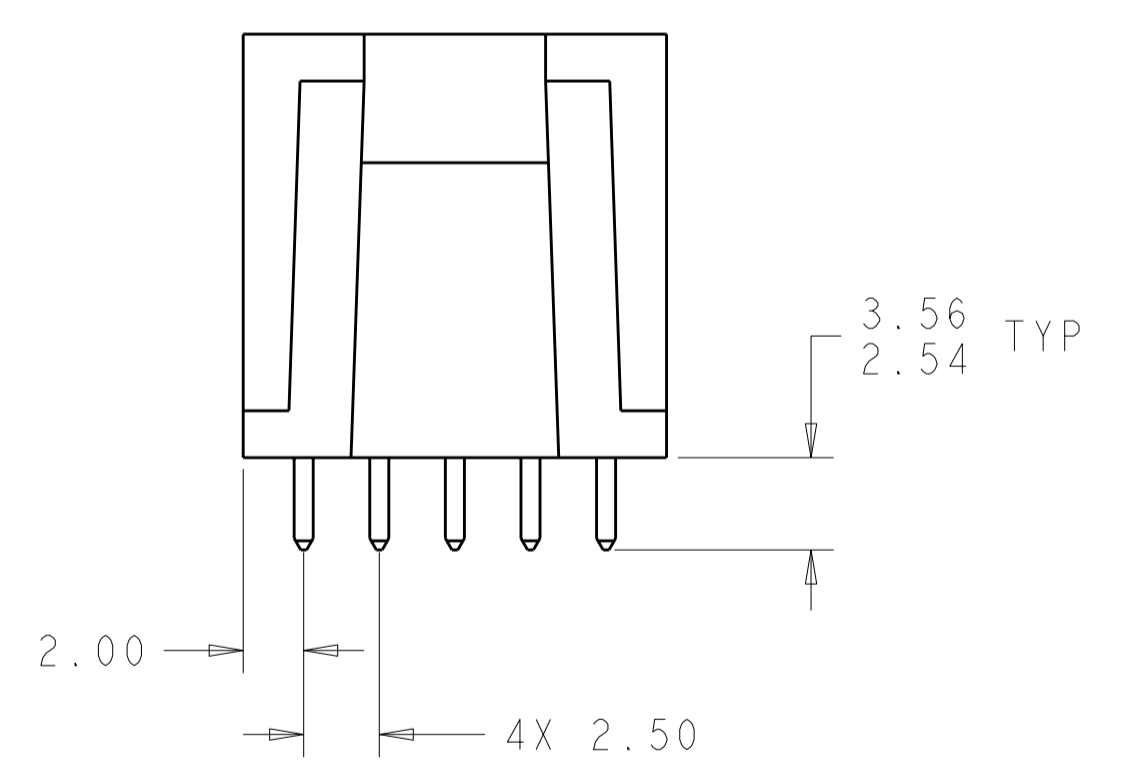
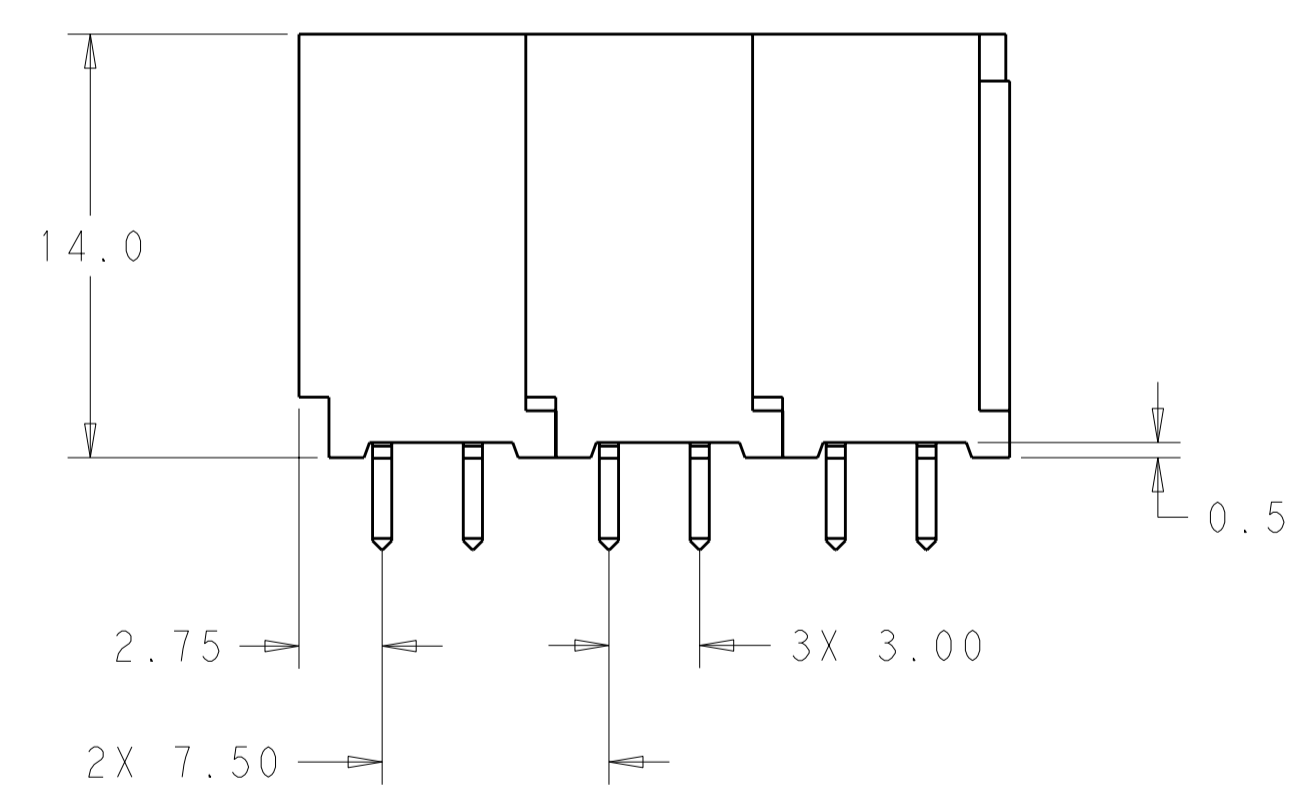
LOC	DIST	REVISIONS			
P	LTR	DESCRIPTION	DATE	DWN	APVD
GP	00	A	RELEASED	18MAY2010	RG MS



- △1 MATERIAL:  
 INSULATORS - THERMOPLASTIC, GLASS REINFORCED,  
 COLOR: BLACK  
 UL94V-0 FLAMMABILITY RATED.  
 POWER CONTACTS - COPPER ALLOY,
- △2 FINISH:  
 CONTACTS - GOLD PLATE 0.76µm MIN. THK., OVER NICKEL  
 1.27µm MIN. THK  
 SOLDER TAILS - TIN 3.05µm MIN. THK. OVER NICKEL  
 1.27µm MIN. THK
- △3 ITEMS PROVIDED TO THIS SPECIFICATION TO BE PERMANENTLY IDENTIFIED PER THE FOLLOWING IDENTIFIER LABEL

YEAR 1 WEEK 1

TYCO ELECTRONICS P/N DATE CODE (e.g. 0106)  
 XXXXXXXX-X XXXX

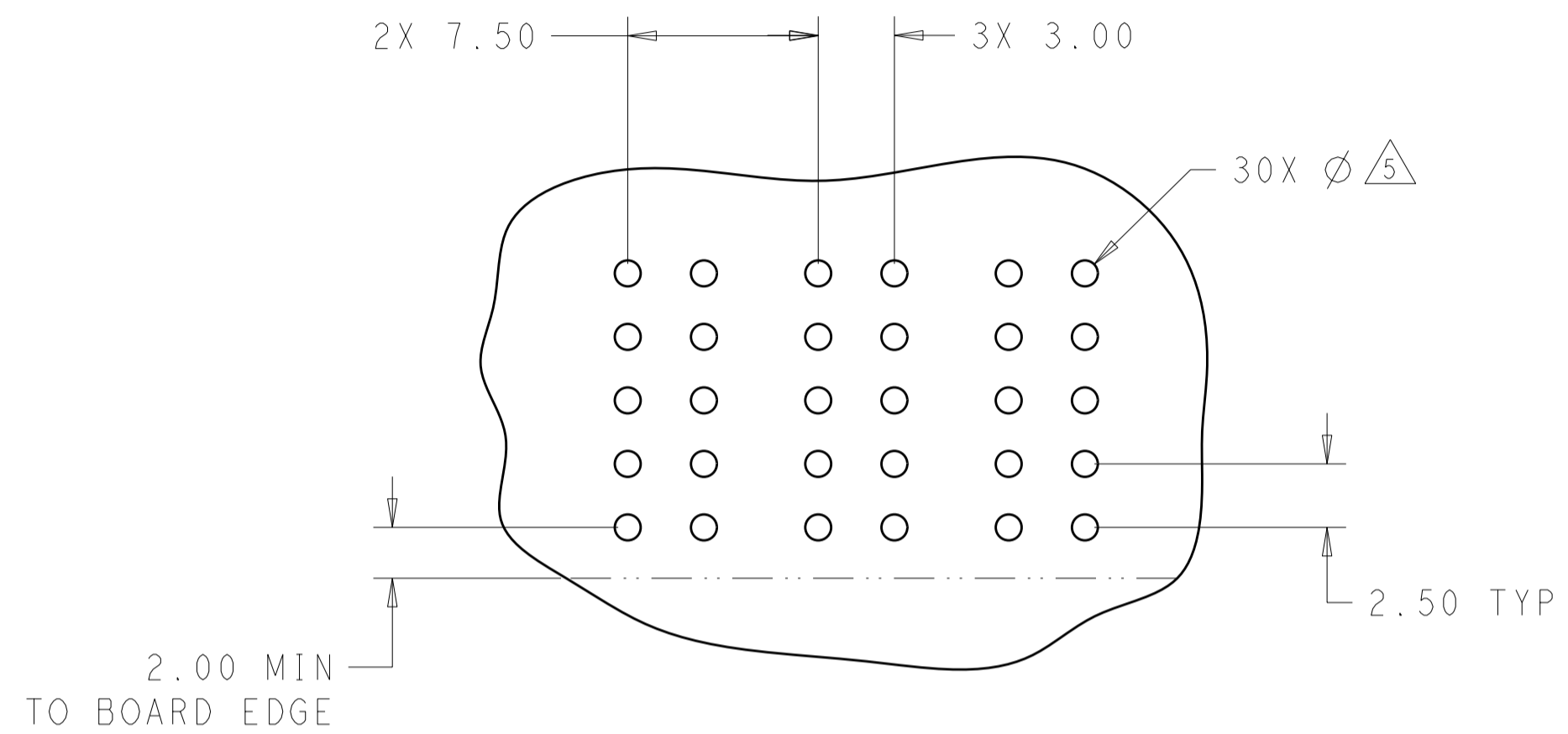


2085462-1  
 PART NO.

THIS DRAWING IS A CONTROLLED DOCUMENT FOR TYCO ELECTRONICS CORPORATION. IT IS SUBJECT TO CHANGE AND THE CONTROLLING ENGINEERING ORGANIZATION SHOULD BE CONTACTED FOR THE LATEST REVISION.		DWN R. GRZYBOWSKI 18MAY2010	Tyco Electronics Corporation Harrisburg, PA 17105-3608	
DIMENSIONS: mm		CHK M. SYKES 18MAY2010	NAME SOCKET CONNECTOR ASSEMBLY STRAIGHT, SOLDER TAIL FLATPAQ	
TOLERANCES UNLESS OTHERWISE SPECIFIED: 0 PLC ± 1 PLC ±0.5 2 PLC ±0.25 3 PLC ± 4 PLC ± ANGLES ± FINISH △2		APVD M. PERCHERKE 18MAY2010	SIZE A200779	
MATERIAL △1		PRODUCT SPEC - APPLICATION SPEC - WEIGHT -	DRAWING NO. C-2085462	
CUSTOMER DRAWING		RESTRICTED TO -		SCALE 4:1 SHEET 1 OF 3 REV A

THIS DRAWING IS UNPUBLISHED. RELEASED FOR PUBLICATION 20  
 © COPYRIGHT 20 BY TYCO ELECTRONICS CORPORATION. ALL INTERNATIONAL RIGHTS RESERVED.

LOC	DIST	REVISIONS			
P	LTR	DESCRIPTION	DATE	DWN	APVD
GP	00	-	SEE SHEET 1	-	-



PRINTED CIRCUIT BOARD LAYOUT  
 COMPONENT SIDE

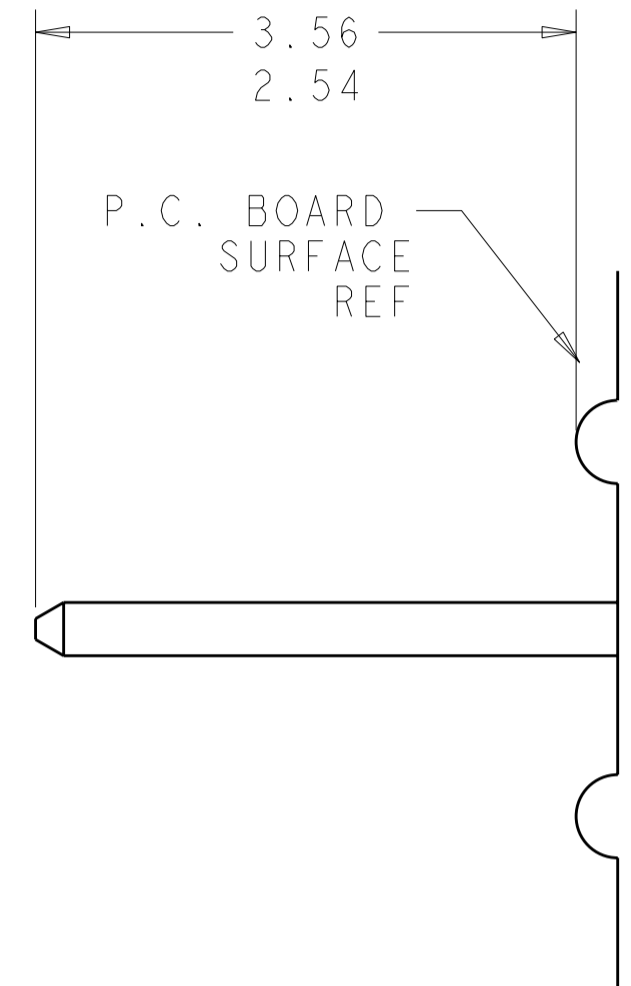
CONNECTOR	CATALOG MODULE #	QTY	SIZE NO.	CONTACT QTY	MATING PIN	MAX. CURRENT (PER CONTACT)	CONTACT SPACING	VOLTAGE RATING
SOCKET	FP100	3	8	3	1.25 X 7.00	35 amps	7.50	250

THIS DRAWING IS A CONTROLLED DOCUMENT FOR TYCO ELECTRONICS CORPORATION. IT IS SUBJECT TO CHANGE AND THE CONTROLLING ENGINEERING ORGANIZATION SHOULD BE CONTACTED FOR THE LATEST REVISION.

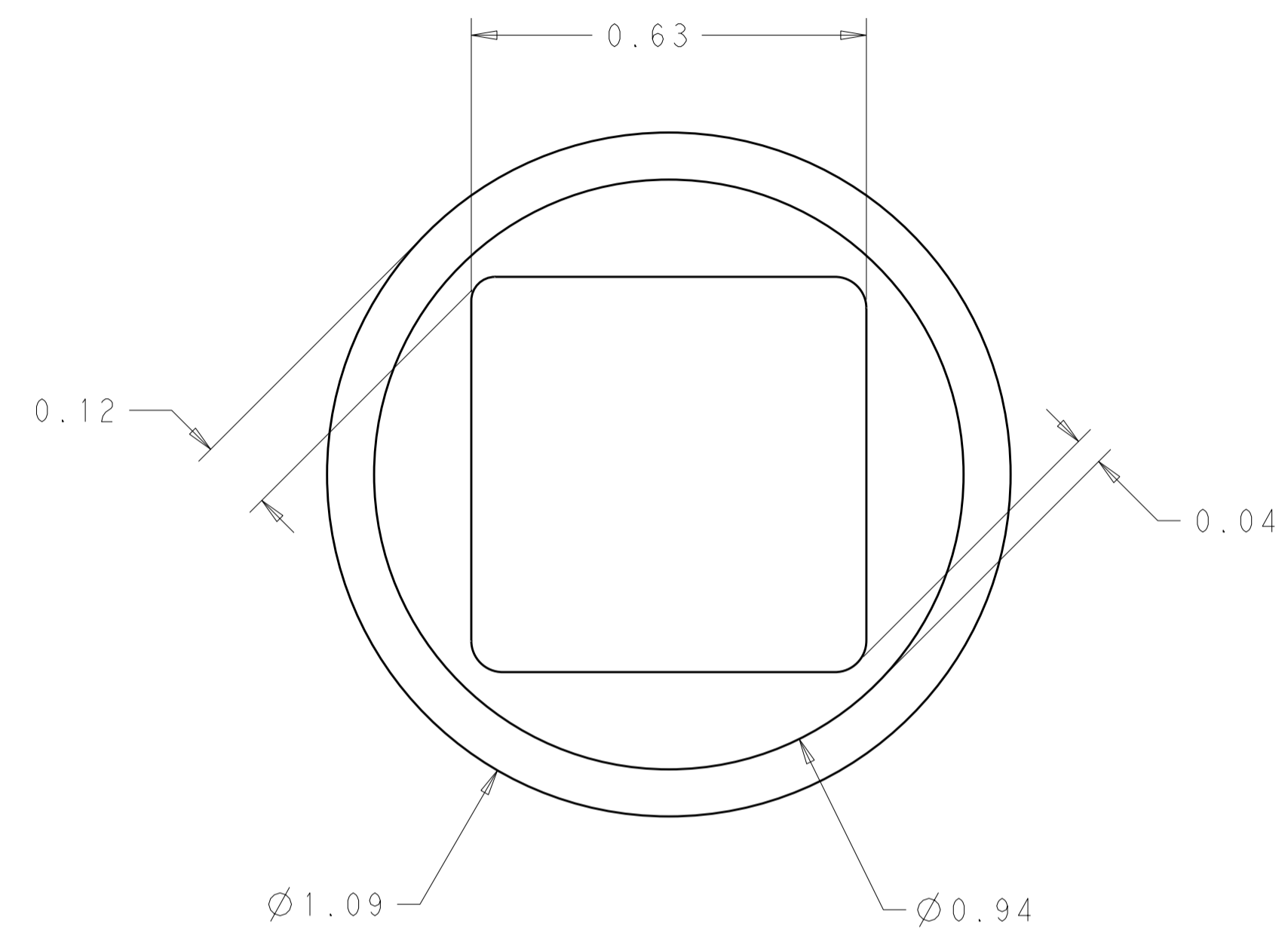
DWN	R. GRZYBOWSKI	18MAY2010	Tyco Electronics Corporation Harrisburg, PA 17105-3608
CHK	M. SYKES	18MAY2010	
APVD	M. PERCHERKE	18MAY2010	
DIMENSIONS: mm 			NAME
TOLERANCES UNLESS OTHERWISE SPECIFIED: 0 PLC ±- 1 PLC ±0.5 2 PLC ±0.25 3 PLC ±- 4 PLC ±- ANGLES ±- FINISH ±-			SOCKET CONNECTOR ASSEMBLY STRAIGHT, SOLDER TAIL FLATPAQ
MATERIAL	-	-	SIZE CAGE CODE DRAWING NO A200779 C-2085462
CUSTOMER DRAWING			RESTRICTED TO SCALE 4:1 SHEET 2 OF 3 REV A

THIS DRAWING IS UNPUBLISHED. RELEASED FOR PUBLICATION 20  
 © COPYRIGHT 20 BY TYCO ELECTRONICS CORPORATION. ALL INTERNATIONAL RIGHTS RESERVED.

LOC	DIST	REVISIONS			
P	LTR	DESCRIPTION	DATE	DWN	APVD
GP	00	-	SEE SHEET 1	-	-



4. SOLDER PIN DETAIL  
SCALE 10:1



5. SOLDER TERMINATION AREA  
SCALE 40:1  
RECOMMENDED PRINTED CIRCUIT SOLDER HOLE  
FINISHED HOLE: Ø1.02 ±.08  
DRILLED HOLE: Ø1.15 ±.013  
COPPER PLATE: .025 MIN  
TIN PLATE: .008 MIN. (PER SURFACE)

THIS DRAWING IS A CONTROLLED DOCUMENT FOR TYCO ELECTRONICS CORPORATION IT IS SUBJECT TO CHANGE AND THE CONTROLLING ENGINEERING ORGANIZATION SHOULD BE CONTACTED FOR THE LATEST REVISION.		DWN R. GRZYBOWSKI 18MAY2010	Tyco Electronics Corporation Harrisburg, PA 17105-3608	
DIMENSIONS: mm		CHK M. SYKES 18MAY2010	NAME SOCKET CONNECTOR ASSEMBLY STRAIGHT, SOLDER TAIL FLATPAQ	
TOLERANCES UNLESS OTHERWISE SPECIFIED: 0 PLC ±- 1 PLC ±0.5 2 PLC ±0.25 3 PLC ±- 4 PLC ±- ANGLES ±- FINISH		APVD M. PERCHERKE 18MAY2010	SIZE A200779	DRAWING NO C-2085462
MATERIAL	-	PRODUCT SPEC - APPLICATION SPEC - WEIGHT -	RESTRICTED TO -	
CUSTOMER DRAWING			SCALE 4:1	SHEET 3 OF 3 REV A