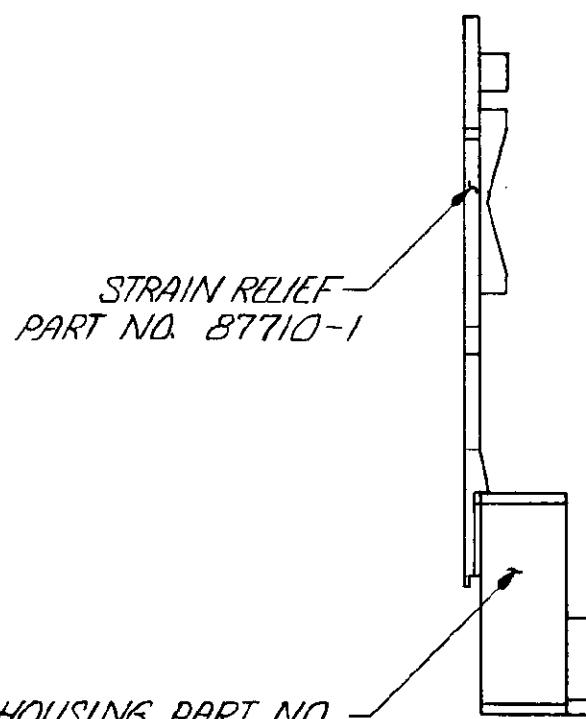
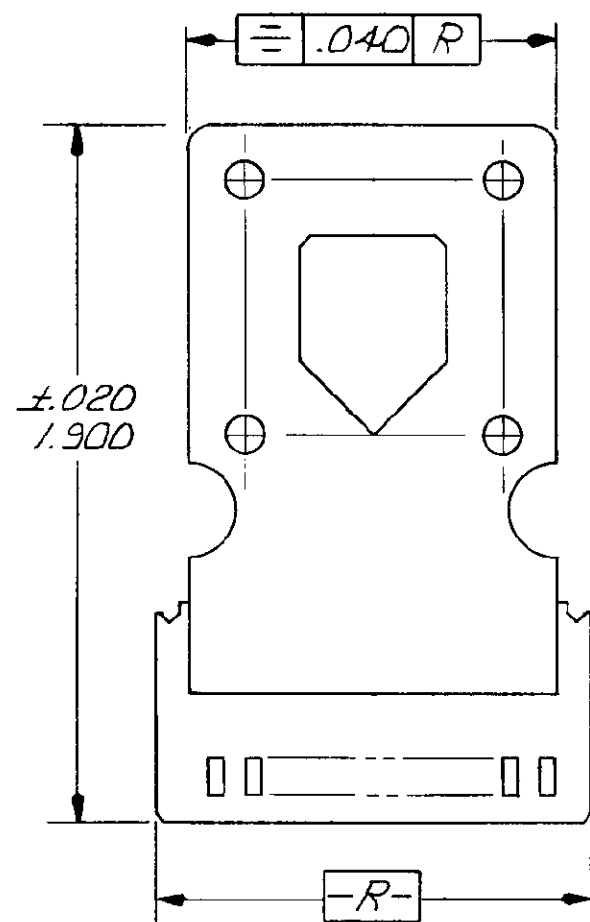


THIS DRAWING IS UNPUBLISHED. RELEASED FOR PUBLICATION, 19
© COPYRIGHT 19 BY AMP INCORPORATED, HARRISBURG, PA. ALL INTERNATIONAL RIGHTS RESERVED. AMP PRODUCTS MAY BE COVERED BY U.S. AND FOREIGN PATENTS AND/OR PATENTS PENDING.

REVISIONS					
P	F	ZONE	LTR	DESCRIPTION	DATE APPROVED
0	✓		D	REL. WAS 5210-659-1	
✓	✓	A		REV LOC & DIST AD-4171	11-22-89 BF



1. STRAIN RELIEF ULTRASONICALLY WELDED TO THE HOUSING.

103583

HOUSING PART NO.	NO. OF POS.	PART NO.
102387-4	20	103583-1

UNLESS OTHERWISE SPECIFIED DIMENSIONS ARE IN INCHES. TOLERANCES ON: DECIMALS ± .005 ANGLES ± .005	CONTRACT NO	AMP AMP INCORPORATED Harrisburg, Pa. 17105
	DR <i>MA Meyer 1-30-85</i>	
MATERIAL FLAME RETARDANT THERMOPLASTIC COLOR: BLACK	CHK <i>W. J. ... 1/21/85</i>	NAME ASSEMBLY, MOD IV, CRIMP SNAP- IN HOUSING WITH STRAIN RELIEF, DOUBLE ROW, .100 X .100 Q
	APPD <i>W. J. ... 1/31/85</i>	
FINISH	DSGN APPD	SIZE C FSCM NO 00779 DRAWING NO 103583
	OTHER APPD	SCALE 4:1 SHEET