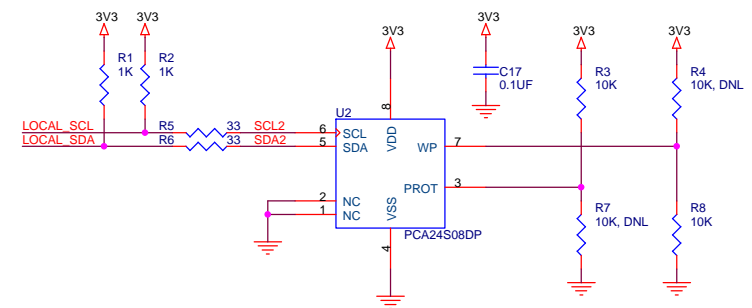
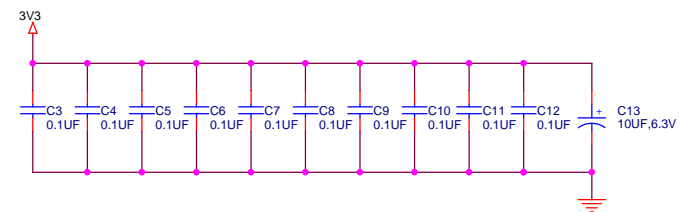
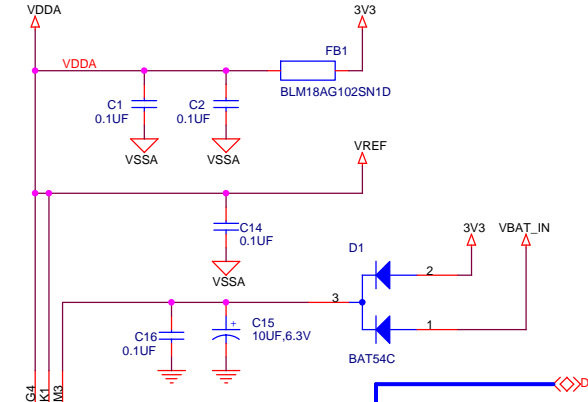
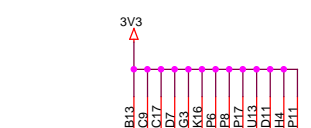
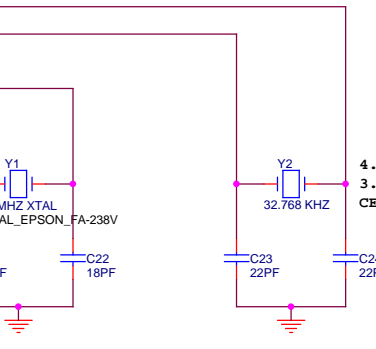
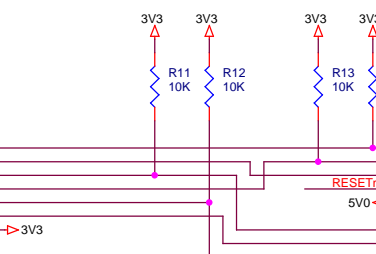
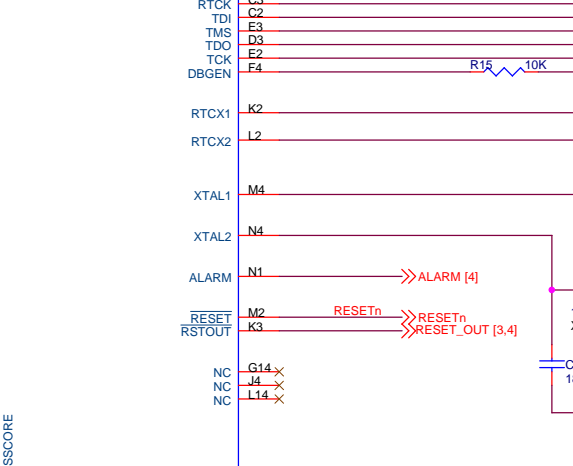
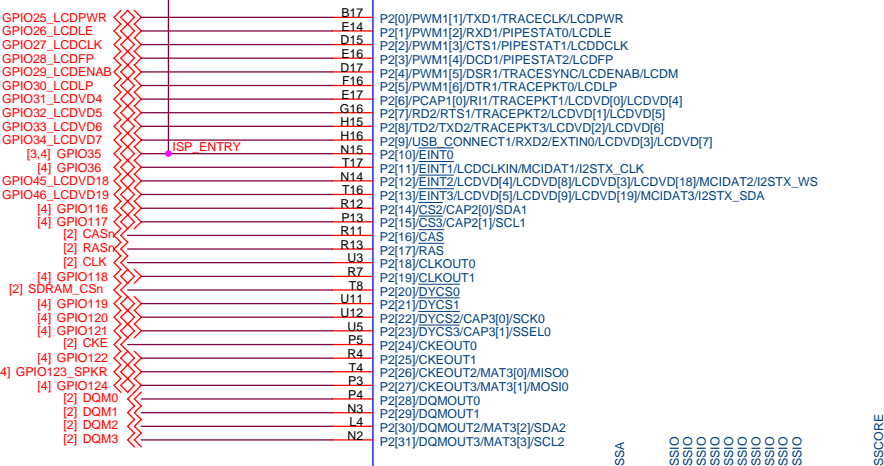
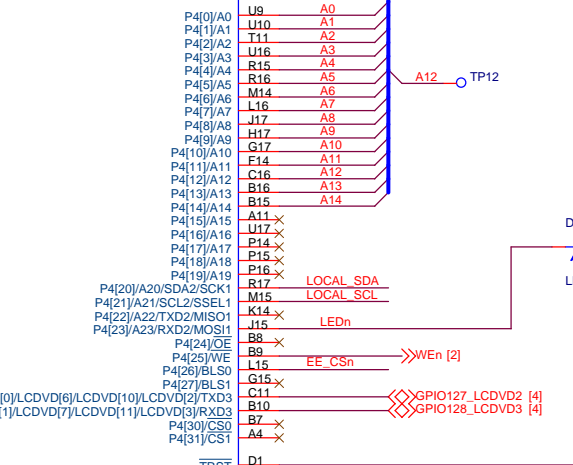
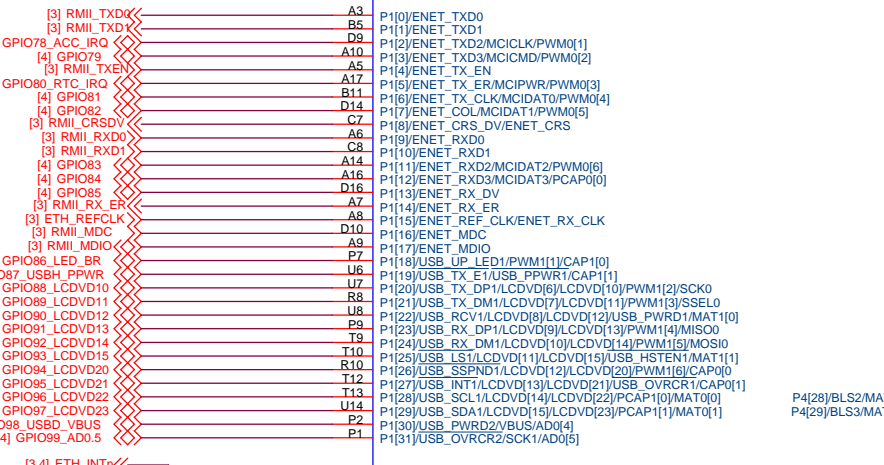
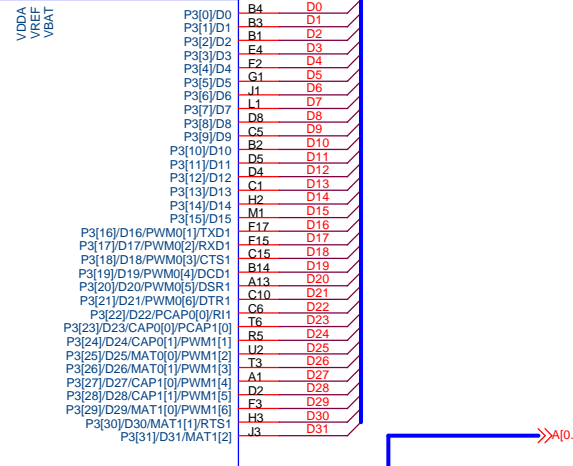
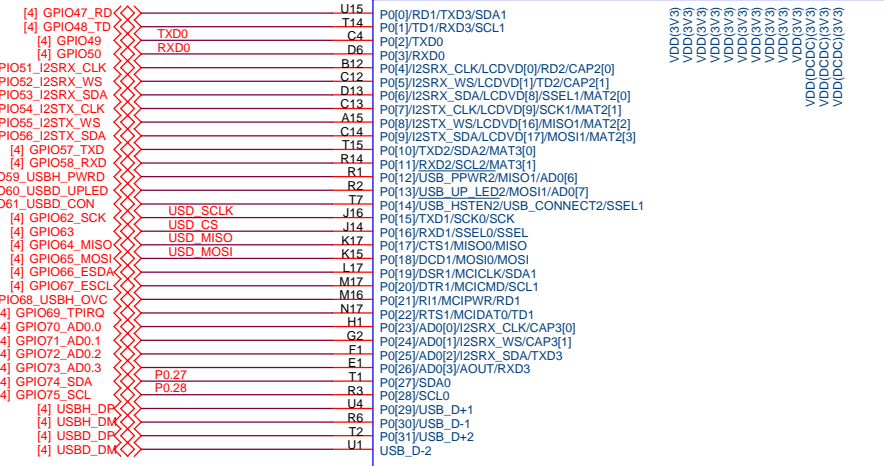
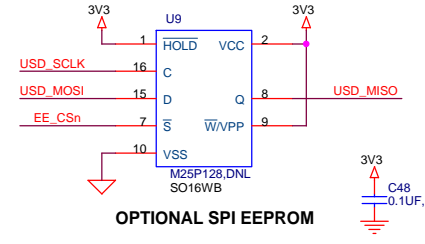
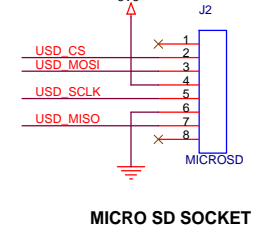
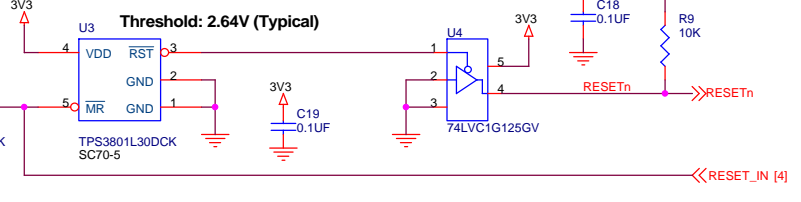


REVISION HISTORY		
01/23/09	2	CORRECTED SDRAM BA SIGNALS, I2C
02/16/09	2.2	CONNECTED VREF TO VDDA, LOAD J1
03/27/09	2.3	ROTATED D2 TO CORRECT BAD FOOTPRINT
08/10/09	3	CHANGED J3 TO SAMTEC, Y1 TO EPSON CHANGED DIMM SIGNAL NAMES TO STD

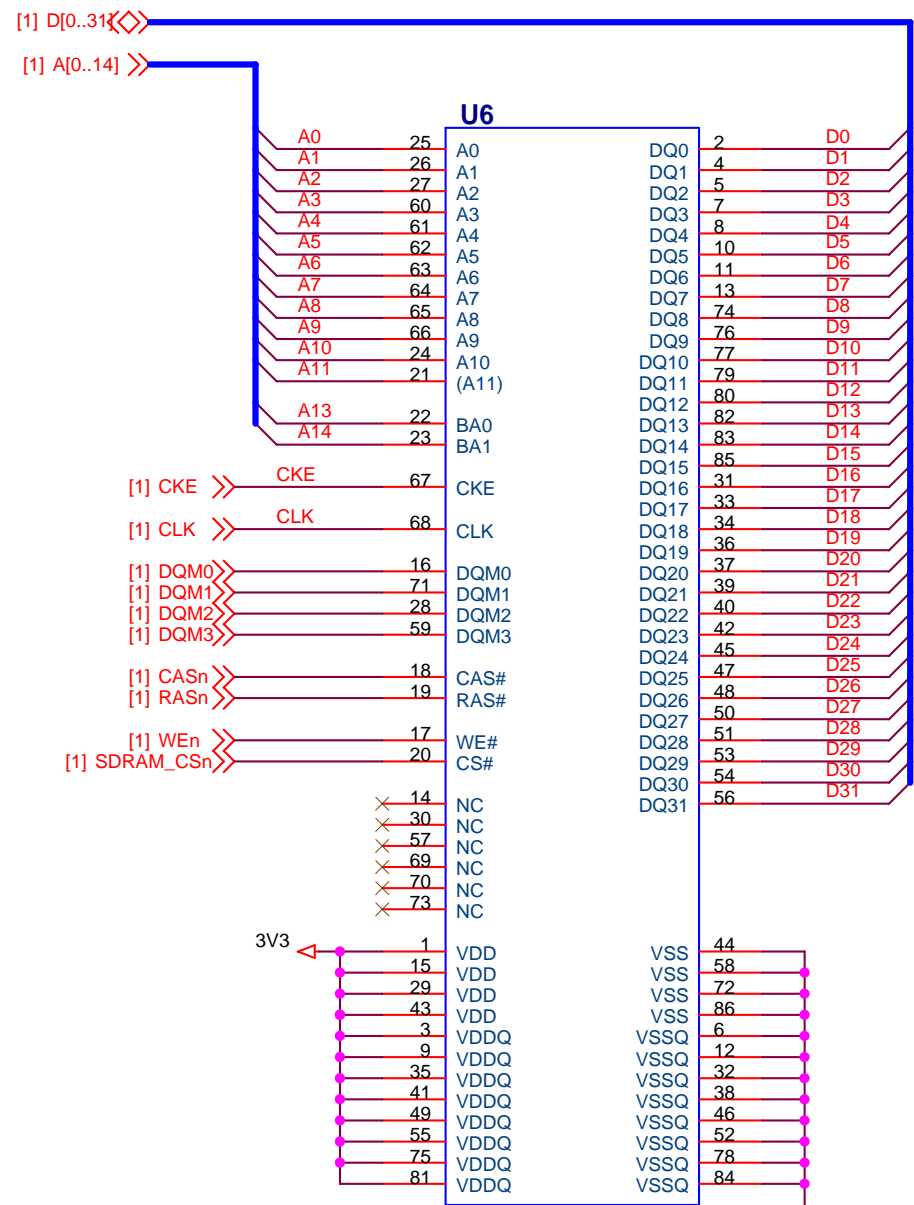
I2C PULLUPS



I2C ADDRESS = 0xA8

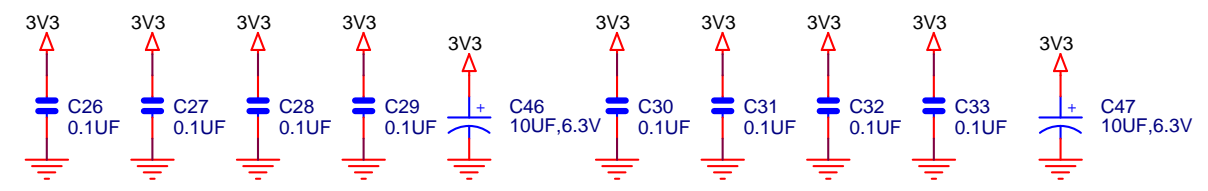


FUTURE DESIGNS, INC. 2702 TRIANA BLVD HUNTSVILLE, AL 35805		FDI
Title: NXP SOMDIMM-LPC2478		
Size: C	Document Number: <Doc>	Rev: 3
Date: Tuesday, November 10, 2009	Sheet: 1 of 4	

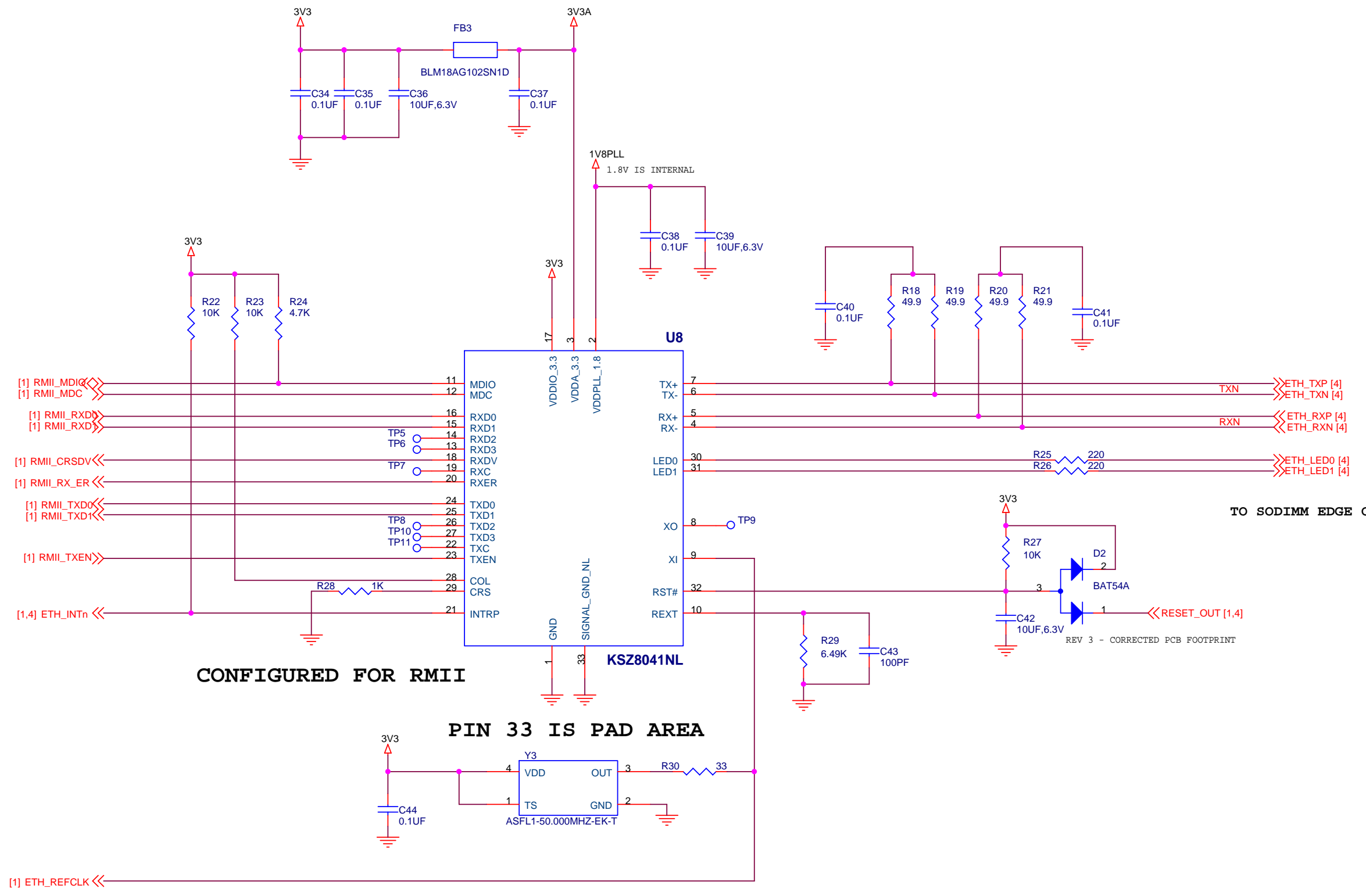


MT48LC2M32B2P
 MT48LC4M32B2P ALTERNATE
 MT48LC8M32B2P ALTERNATE

SDRAM (8MB TO 32MB)



FUTURE DESIGNS, INC. 2702 TRIANA BLVD HUNTSVILLE, AL 35805		FDI
Title: NXP SOMDIMM-LPC2478		
Size: B	Document Number: <Doc>	Rev: 3
Date: Tuesday, November 10, 2009	Sheet: 2	of 4



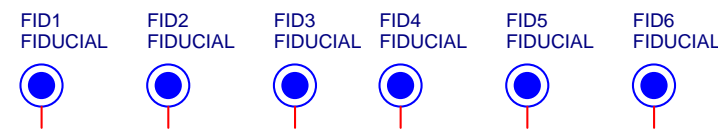
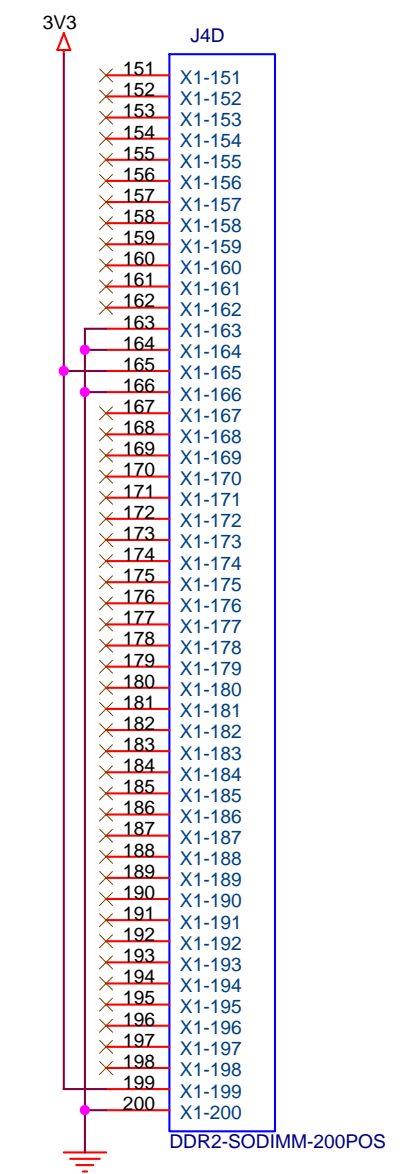
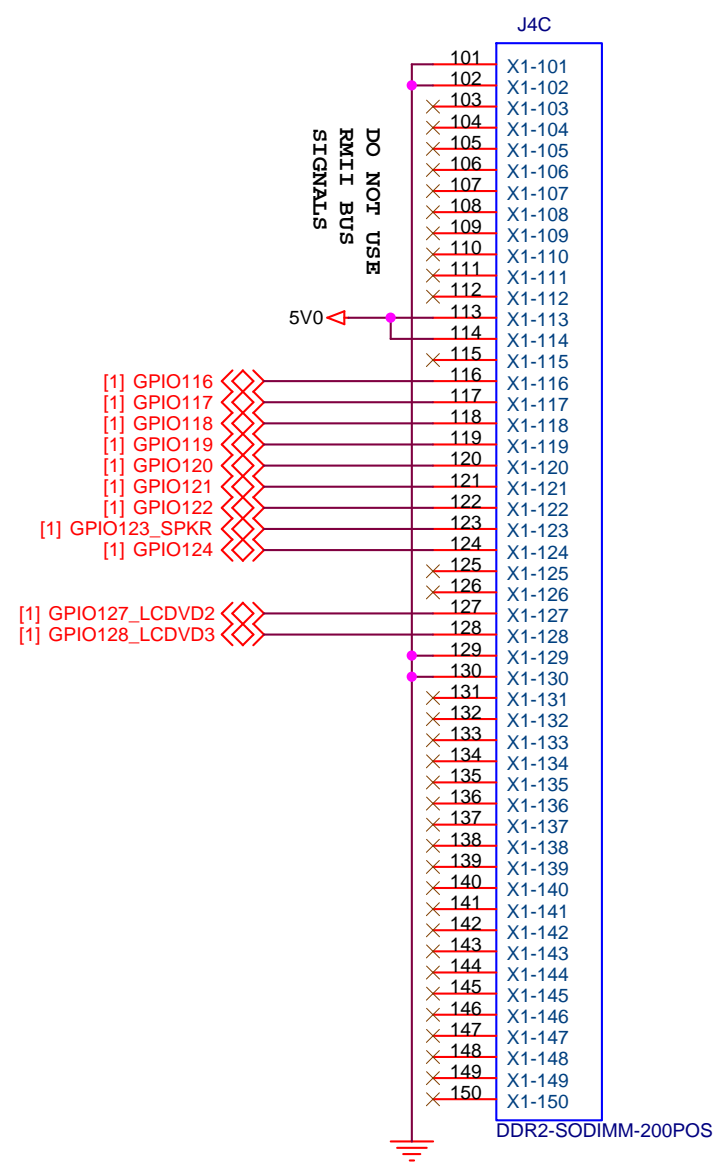
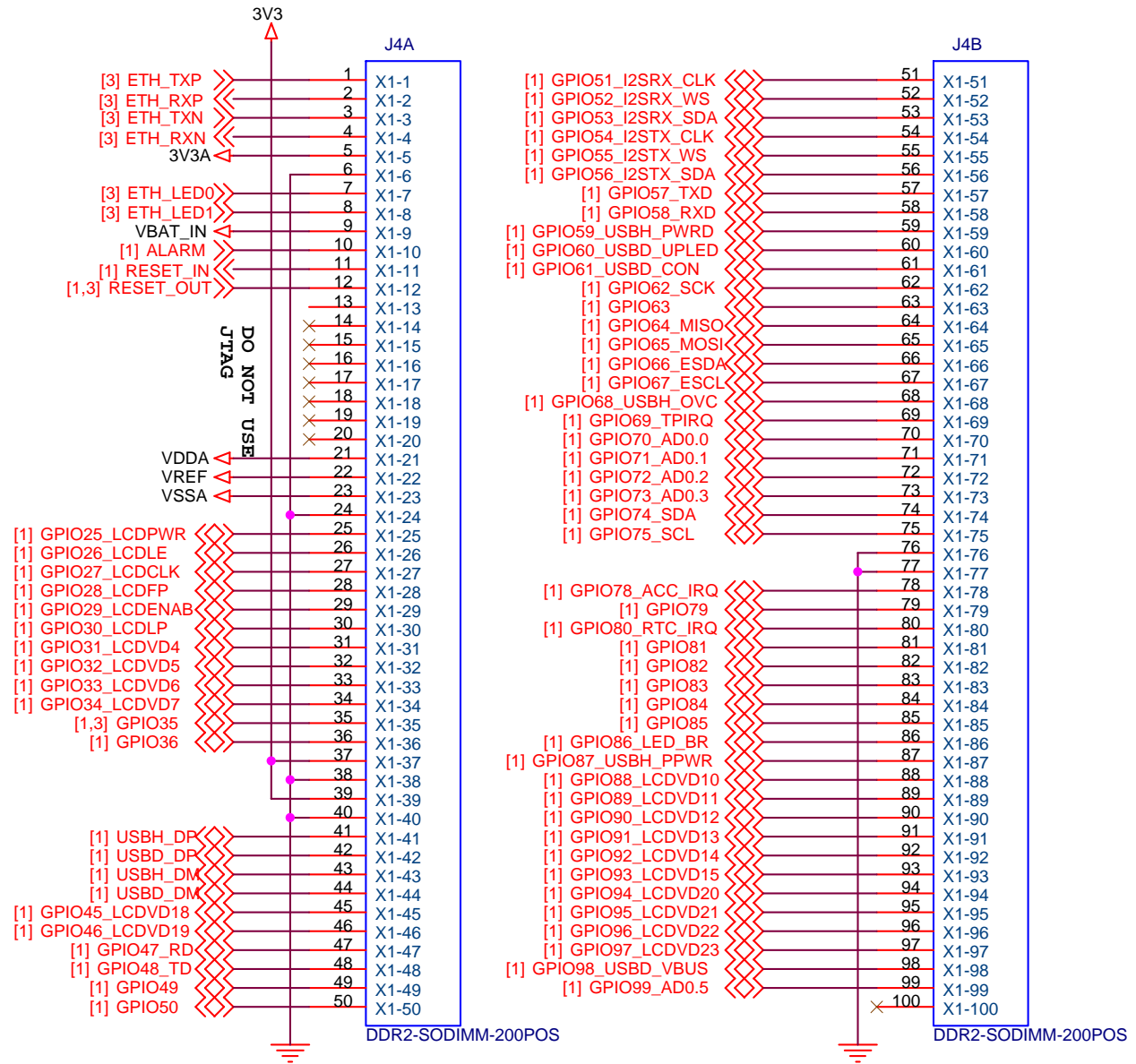
TO SODIMM EDGE CONNECTOR


CONFIGURED FOR RMII

PIN 33 IS PAD AREA

REV 3 - CORRECTED PCB FOOTPRINT

FUTURE DESIGNS, INC. 2702 TRIANA BLVD HUNTSVILLE, AL 35805		FDI
Title NXP SOMDIMM-LPC2478		
Size	Document Number <Doc>	Rev 3
Date:	Tuesday, November 10, 2009	Sheet 3 of 4



FUTURE DESIGNS, INC. 2702 TRIANA BLVD HUNTSVILLE, AL 35805		
Title: NXP SOMDIMM-LPC2478		
Size: B	Document Number: <Doc>	Rev: 3
Date: Tuesday, November 10, 2009		Sheet: 4 of 4