

PRODUCT NUMBER
91687-YXXLF

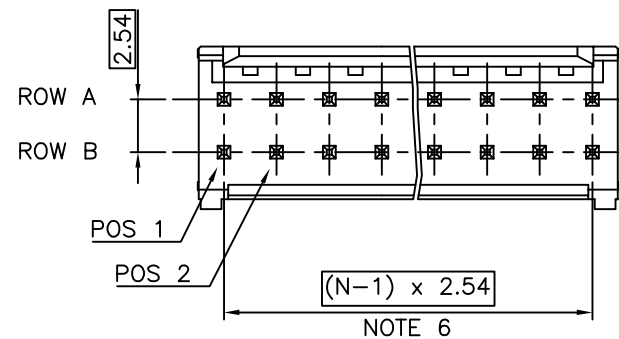
RoHS COMPATIBLE, SEE NOTE 7

PLATING

3=0.76µm GOLD/GXT ON CONTACT AREA
2 µm MIN MATTE TIN ON TAIL
1.27µm Ni MIN UNDERPLATING

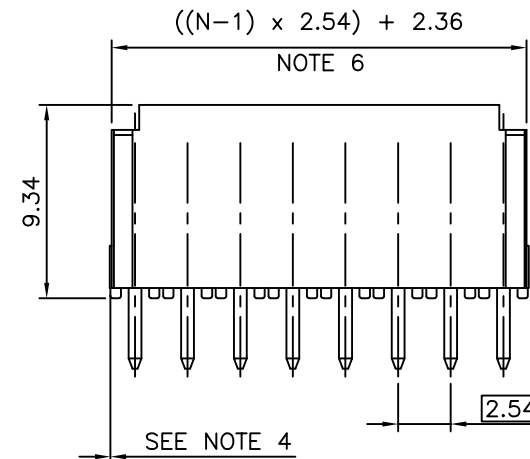
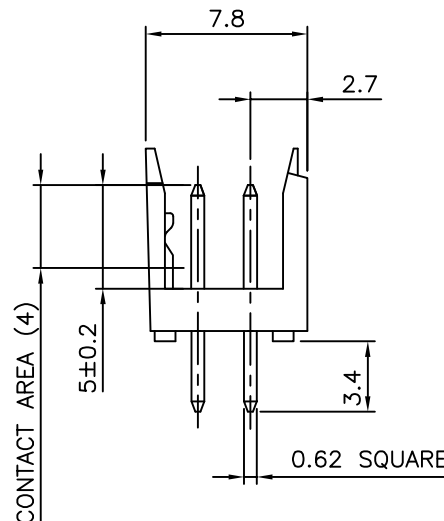
NUMBER OF POSITIONS PER ROW : 02 TO 36

TOP VIEW

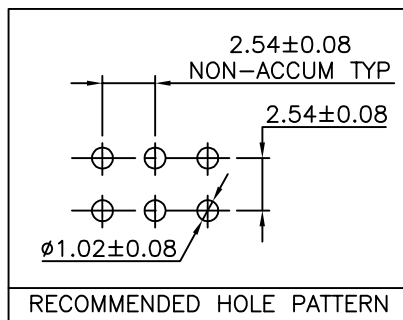


NOTES:

1. BODY MATERIAL: POLYESTER 30% GLASSFILLED COLOR BLUE, FLAME RETARDANT PER UL-94 V0.
2. CONTACT MATERIAL: PHOSPHOR BRONZE.
3. 15N MIN PIN RETENTION IN EITHER DIRECTION
4. 0.6 MAX PROTRUSION PERMITTED AT 4 PLACES
5. PACKAGING :
- POLYBAGS FROM 2 x 02 TO 2 x 06 POSITIONS
- TUBE FROM 2 x 07 TO 2 x 36 POSITIONS
6. TO DETERMINE DIMENSIONS :
N = NUMBER OF POSITIONS PER ROW
EXAMPLE : 8 POS N x 2.54 = 20.32mm
7. RoHS COMPATIBLE PRODUCT SPECIFICATIONS
 - a - PLATING:
- "LF" MEANS THE PRODUCT IS LEAD-FREE,
2µm MINIMUM MATTE TIN OVER 1.27µm
MINIMUM NICKEL UNDERPLATE.



- b - MANUFACTURING PROCESS COMPATIBILITY
- THE HOUSING WILL WITHSTAND EXPOSURE TO 245°C ±5°C SOLDER BATH TEMPERATURE FOR 5 SECONDS IN A WAVE SOLDER APPLICATION WITH A 1.6mm MIN THICK CIRCUIT BOARD.
- c - LABELING:
- MEETS PACKAGING SPECS AS PER GS-14-920
- d - LEGAL STATEMENT: SEE GS-47-0004



| mat'l. code | | | | surface | tolerance | projection | product family | |
|-------------|----------------|-----|----------|---------------------------------------|----------------------|------------|--------------------------------------|------------------|
| SEE NOTES | | | | ISO 1302 | ISO 406 ISO 1101 | | DUBOX HDR | |
| ltr | ecn no | dr | date | tolerances unless otherwise specified | | mm | title | |
| B | F00190 | LMU | 00.04.12 | angles | .X ±0.3 | | DUBOX HEADER STRAIGHT, DOUBLE ROW | |
| C | F05-0117 | LMU | 05.01.31 | linear | .XX ±0.15 | | | |
| D | F05-0244 | JCO | 05.09.06 | | .XXX ±0.05 | scale 4:1 | dwg no | |
| E | F06-0228 | LMU | 06.07.11 | dr | MULIN.L 00.04.12 | | sheet 1 of 1 size | |
| F | F08-0147 | YOV | 08.04.14 | engr | COMPAGNON.J 00.04.12 | | 91687 | A3 |
| G | B-19285 | AMA | 14.11.03 | chr | | | type | CUSTOMER Drawing |
| H | F-21810 | AMA | 15.06.19 | app | JMC 00.04.12 | | | |
| sheet index | revision sheet | | | | | | | |