

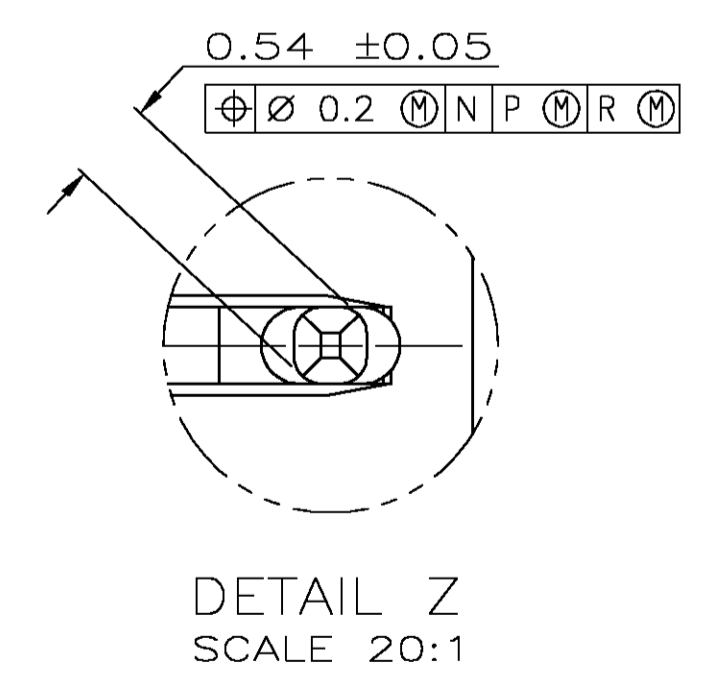
RECOMMENDED CIRCUIT PATTERN
 PER IPC-D300 TYPE II, CLASS C
 (COMPONENT SIDE)

- 1 HOUSING MATERIAL: LIQUID CRYSTAL POLYMER, COLOR: NATURAL.
- 2 CONTACT MATERIAL: PHOSPHOR BRONZE
- 3 CONTACT FINISH:(D)
 UNDERPLATE (ENTIRE CONTACT):
 0.00127 MIN NICKEL PER SAE-AMS-QQ-N-290
 ON MATING SURFACES:
 FLASH GOLD PER ASTM B 488, OVER
 0.00076 MIN PALLADIUM-NICKEL OVER UNDERPLATE, OR
 0.00076 MIN GOLD PER ASTM B 488 OVER UNDERPLATE.
 ON LEADS:
 0.00127 MIN MATTE TIN PER ASTM B 545 OVER UNDERPLATE.
 LUBRICATION (MIN MATING SURFACES):
 SURFACE CONDITIONER AFTER PLATING.
- 4 PART MARKING LOCATED APPROXIMATELY AS SHOWN.

ROW	D	AB	AC
C	AB	AC	
B	AB	AC	
A	AB	AC	

1	2	3	4	5	6
POWER POSITION					

CODE LETTER	MATING POST LENGTH ±0.1	LEAD LENGTH (REF)
AB	7.25	4.25
AC	8	4.25



6	1	10	5	11.88	3	8	5536630-1
E	D	C	B	A	FINISH	NO OF POWER POSN	PART NUMBER

THIS DRAWING IS A CONTROLLED DOCUMENT.		DMN R. BUCHHEISTER 18/JUN/98	Tyco Electronics Corporation Harrisburg, Pa 17105-3608
DIMENSIONS: mm [INCHES]		CHK D.R. BAECHTLE 18/JUN/98	
TOLERANCES UNLESS OTHERWISE SPECIFIED:		APVD D.R. BAECHTLE 18/JUN/98	NAME: ASSEMBLY, PIN, POWER, VERTICAL, Z-PACK 2mm FB, 4 ROW, PRESS FIT LEADS, SEQUENCED
0 PLC ± -		PRODUCT SPEC	
1 PLC ± -		APPLICATION SPEC	SIZE: A1
2 PLC ± 0.13[.005]		WEIGHT	CAGE CODE: 00779
3 PLC ± -		RESTRICTED TO	DRAWING NO: 5536630
4 PLC ± -		CUSTOMER DRAWING	SCALE: 4:1
ANGLES ± -		SHEET: 1 OF 1	REV: 0
FINISH			