

5

4

3

2

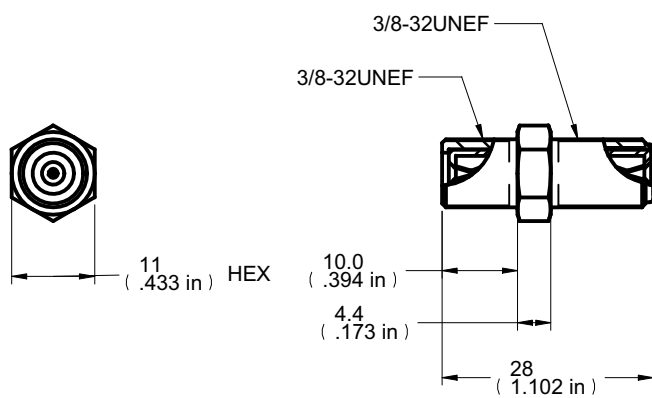
1

DRAWING NO.			
25-7200L-CUST			
REVISIONS			
01	OFFICIAL RELEASE		
	08-18-09	Y U T H	<i>Betty</i> 2009.09.08 09:13:39 +0800

Description: F-81 Splice Extra Long Barrel
 Part No: 25-7200L
 Application: F-81 Inline 1" Splice
 Crimp Tool: N/A
 Impedance: 75 Ohms
 Frequency Range: 0-750 MHz
 Material: Body Brass Nickel plated
 Contact P. Bronze Tin plated
 Insulator PE
 RoHS Compliance: Yes
 Technical Detail: Refer to Emerson Document P/N 25-0000



受控 CONTROLLED DOCUMENT					
编号 P/N	25-7200L-CUST	版本 Rev	01	日期 Rel'd Date	SEP 14,09



DIM OUTLINE

CUSTOMER COPY

TOLERANCE UNLESS OTHERWISE SPECIFIED		DRAWN BY	DATE
DECIMALS	mm	BETTY.YU	08-18-09
X	± 0.5	CHECKED BY	DATE
X.X	± 0.3	BETTY.YU	08-18-09
X.XX	± 0.1	APPROVED BY	DATE
ANGLES	± 0.5°	THOMAS	08-18-09
		U/M mm	⊕ ±



TITLE		
F-81 SPLICE EXTRA LONG BARREL		
SHEET	DRAWING NO.	SIZE
1 OF 1	25-7200L-CUST	A

THIS DRAWING WAS PRODUCED BY COMPUTER, DO NOT SCALE DRAWING OR UPDATE MANUALLY.

5

4

3

2

1