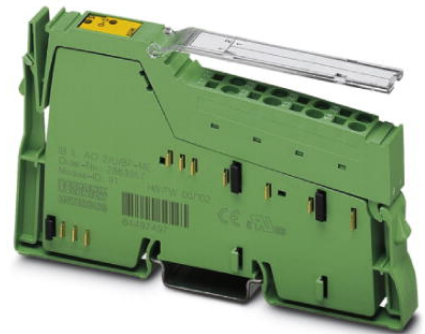


# IB IL AO 2/U/BP-ME

Order No.: 2863957




<http://eshop.phoenixcontact.de/phoenix/treeViewClick.do?UID=2863957>

Inline analog output terminal, Inline ME variants (Machine Edition) complete with accessories (connector and labeling field), 2 outputs, 0 - 10 V,  $\pm 10$  V, 2-conductor connection system



## Commercial data

GTIN (EAN)	 4 017918 962647
sales group	K412
Pack	1 pcs.
Customs tariff	85389091
Catalog page information	Page 293 (AX-2009)

## Product notes

WEEE/RoHS-compliant since:  
09/13/2007



<http://www.download.phoenixcontact.com>  
Please note that the data given here has been taken from the online catalog. For comprehensive information and data, please refer to the user documentation. The General Terms and Conditions of Use apply to Internet downloads.

## Technical data

### General data

Width	12.2 mm
Height	119.8 mm
Depth	71.5 mm

Weight	48 g
Mounting type	DIN rail
Ambient temperature (operation)	-25 °C ... 55 °C
Ambient temperature (storage/transport)	-25 °C ... 85 °C
Permissible humidity (operation)	10 % ... 95 % (according to DIN EN 61131-2)
Permissible humidity (storage/transport)	10 % ... 95 % (according to DIN EN 61131-2)
Air pressure (operation)	70 kPa ... 106 kPa (up to 3000 m above sea level)
Air pressure (storage/transport)	70 kPa ... 106 kPa (up to 3000 m above sea level)
Degree of protection	IP20
Protection class	III, IEC 61140, EN 61140, VDE 0140-1
Test section	7.5 V supply (bus logic), 24 V supply $U_{ANA}$ / I/O 500 V AC 50 Hz 1 min
	7.5 V supply (bus logic), 24 V supply $U_{ANA}$ /functional earth ground 500 V AC 50 Hz 1 min
	24 V supply (I/O) / functional earth ground 500 V AC 50 Hz 1 min

**Interface**

Name	Inline local bus
Type of connection	Inline data jumper
Transmission speed	500 kbps
	500 kBit/s
Transmission physics	Copper

**Inline potential routing**

Communications power $U_L$	7.5 V DC (via voltage jumper)
Current consumption from $U_L$	max. 40 mA
	Typ. 33 mA
I/O supply voltage $U_{ANA}$	24 V DC
Current consumption from $U_{ANA}$	max. 35 mA
	Typ. 25 mA

**Analog outputs**

Number of outputs	2
Connection method	2-wire
Output name	Analog outputs
Data formats	IL, IB ST
Measured value representation	13 bits (12 bits + sign bit)

Process data update	< 1 ms
Voltage output signal	0 V ... 10 V
	-10 V ... 10 V
Load/output load voltage output	> 2 kΩ 0.02 %
Precision	Typ. 0.02 % (of output range final value)

**Certificates / Approvals**



Certification CUL, UL  
 Certification Ex: CUL-EX LIS, UL-EX LIS

**Accessories**

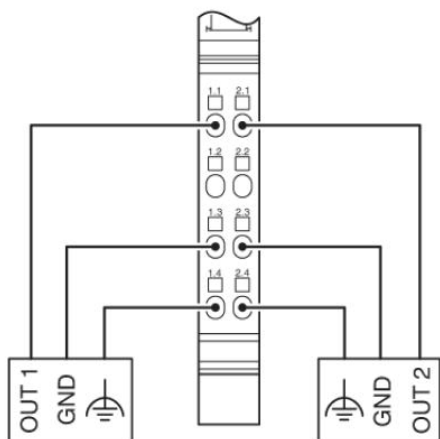
Item	Designation	Description
------	-------------	-------------

**Marking**

0809492	ESL 62X10	Insert strip for laser printer, lettering field: 62 x 10 mm
2727501	IB IL FIELD 2	Labeling field, width: 12.2 mm

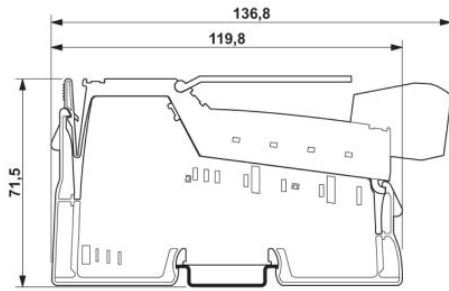
**Diagrams/Drawings**

Connection diagram



Dimensioned drawing

---



**Address**

PHOENIX CONTACT Deutschland GmbH  
Flachmarktstr. 8  
32825 Blomberg, Germany  
Phone +49 5235 3 12000  
Fax +49 5235 3 41200  
<http://www.phoenixcontact.de>



© 2011 Phoenix Contact  
Technical modifications reserved;