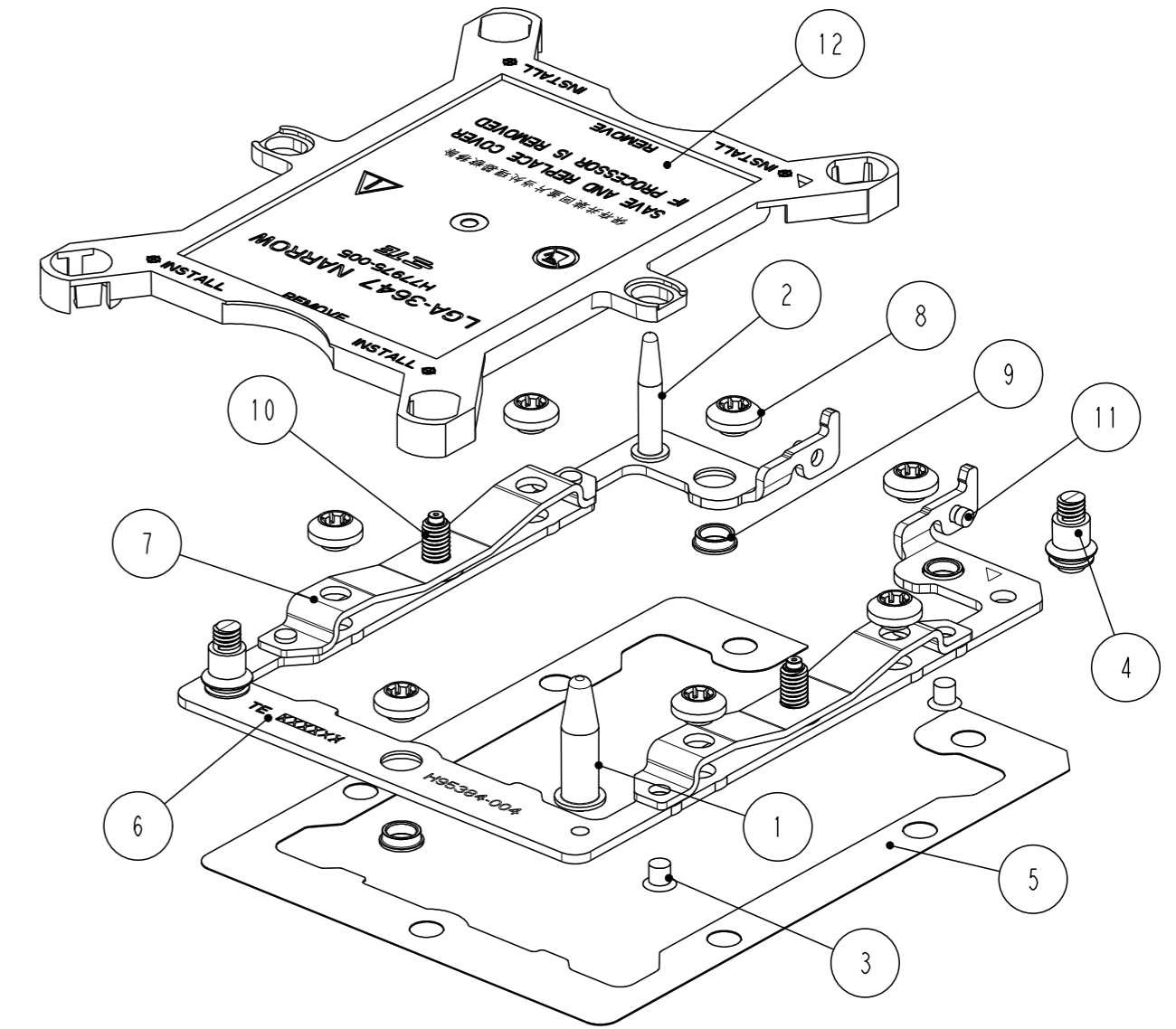
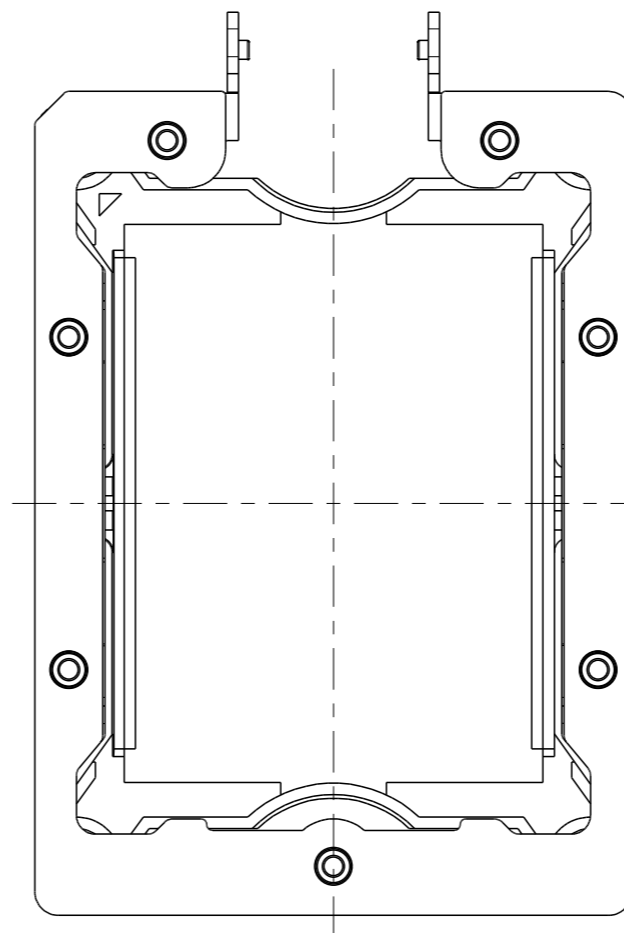
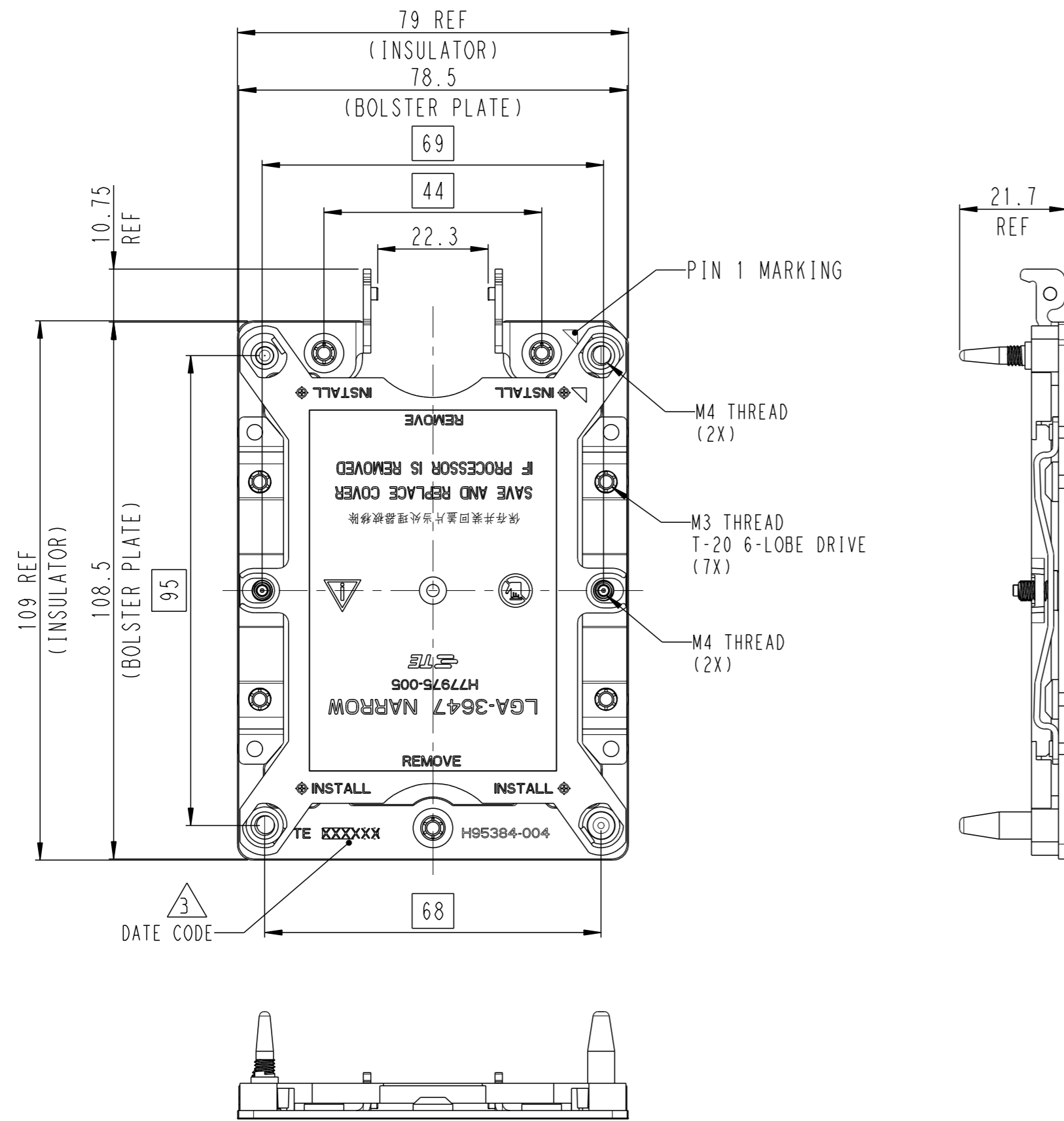


THIS DRAWING IS UNPUBLISHED. RELEASED FOR PUBLICATION
 © COPYRIGHT copyright_date BY - ALL RIGHTS RESERVED.

REVISIONS				
P	LTR	DESCRIPTION	DATE	DWN APVD
	A	RELEASED	26DEC16	J.W C.W



NOTES:

- MATERIAL:
 - BOLSTER LARGE GUIDE POST: STAINLESS STEEL
 - BOLSTER SMALL GUIDE POST: STAINLESS STEEL
 - SKT-P-KNL, SPRING RIVET: STAINLESS STEEL
 - SKX BOLSTER CORNER STANDOFF: STAINLESS STEEL
 - SKX NRW NON FABRIC BOLSTER INSULATOR: POLYCARBONATE FILM PLUS ACRYLIC ADHESIVE LAYER
 - SKX NRW NON FABRIC BOLSTER PLATE: STAINLESS STEEL
 - SKX-EP NRW SPRING: STAINLESS STEEL
 - SOCKET P M3 BOLSTER CAPTIVE NUT: CARBON STEEL, NICKEL PLATING
 - SOCKET P M3 BOLSTER CAPTIVE NUT COLLAR: CARBON STEEL, NICKEL PLATING
 - SKT-EP SPRING STUD: STAINLESS STEEL
 - KNL BOLSTER LEC GUIDE PIN: STAINLESS STEEL
 - NRW DUST COVER: THERMO-PLASTIC, UL94V-0, BLACK
- ASSEMBLED WITH BOLSTER ASSEMBLY P/N: 2299805 SERIES
- INDICATED DATE CODE ON THE BOLSTER PLATE

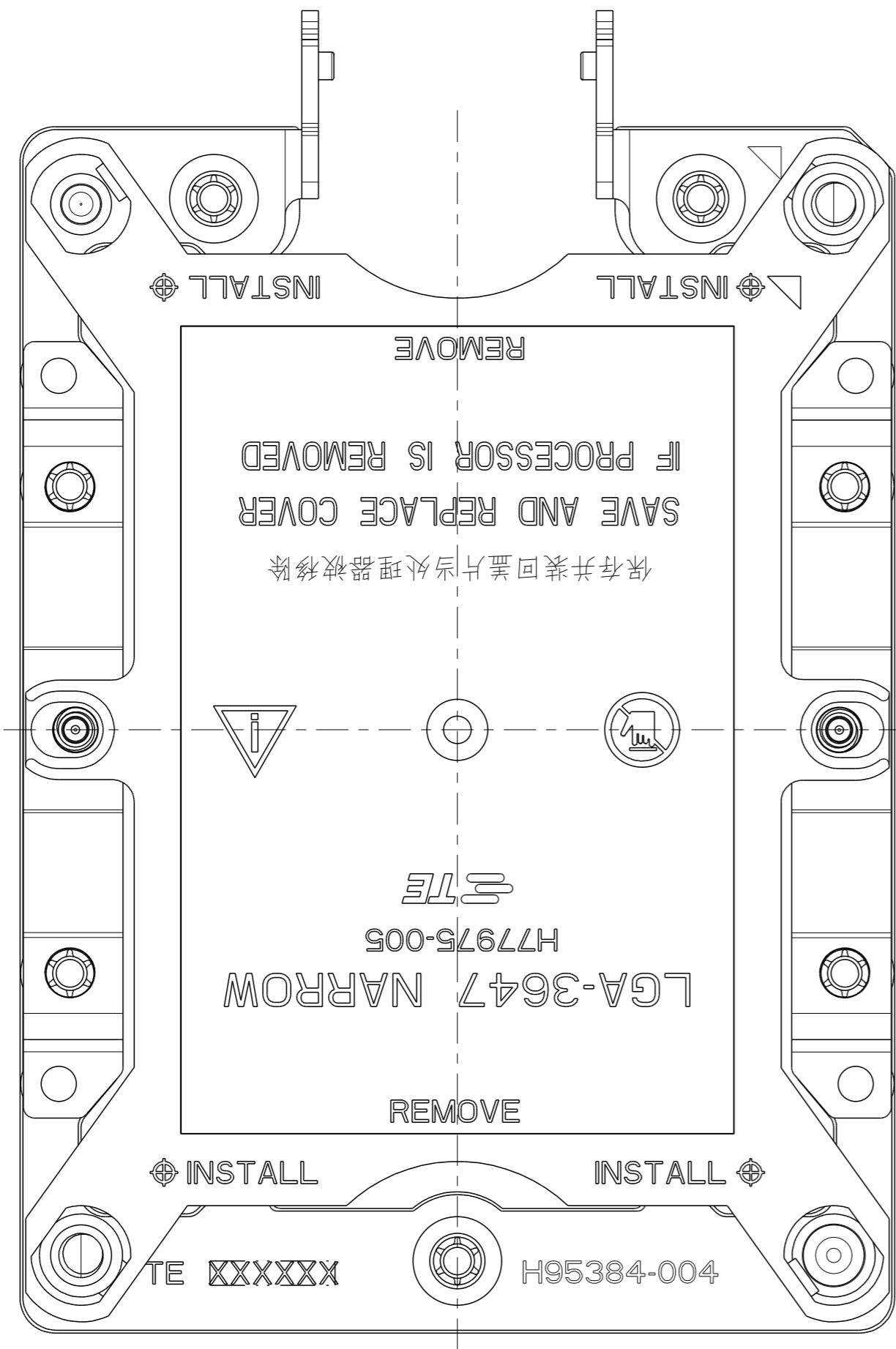
P/N: 2310924-1 AS SHOW
(NRW FABRIC TYPE WITH COVER)

Q'TY	DESCRIPTION	ITEM
1	NRW DUST COVER	12
2	KNL BOLSTER LEC GUIDE PIN	11
2	SKT-EP SPRING STUD	10
3	SOCKET P M3 BOLSTER CAPTIVE NUT COLLAR	9
7	SOCKET P M3 BOLSTER CAPTIVE NUT	8
2	SKX-EP NRW SPRING	7
1	SKX NRW FABRIC BOLSTER PLATE	6
1	SKX NRW NON FABRIC BOLSTER INSULATOR	5
2	SKX BOLSTER CORNER STANDOFF	4
4	SKT-P-KNL, SPRING RIVET	3
1	KNL BOLSTER SMALL GUIDE POST	2
1	KNL BOLSTER LARGE GUIDE POST	1

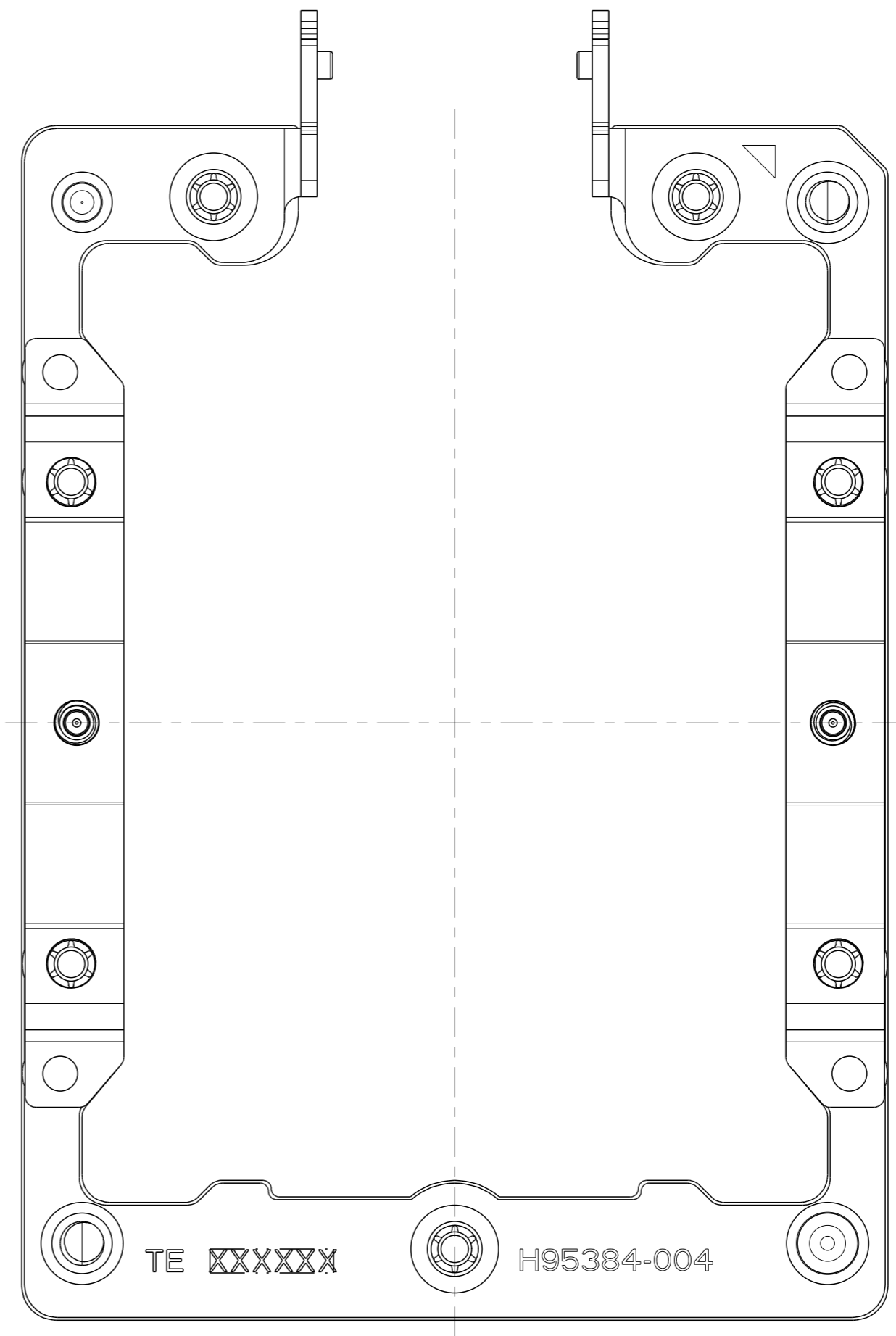
THIS DRAWING IS A CONTROLLED DOCUMENT.		DWN: JEFF WANG 14-Nov-2016	TE Connectivity	
		CHK: SIMON LI 14-Nov-2016		
		APVD: COREL WANG 14-Nov-2016	NAME: COREL WANG	
DIMENSIONS: mm		PRODUCT SPEC: 108-115115	SKX-EP NRW FABRIC BOLSTER PLATE ASSY	
TOLERANCES UNLESS OTHERWISE SPECIFIED:		APPLICATION SPEC: 114-115011	SIZE: A2	RESTRICTED TO: -
0 PLC ±0.3 1 PLC ±0.3 2 PLC ±0.3 3 PLC ±0.3 4 PLC ±0.3 ANGLES ±3 FINISH -		WEIGHT: -	CAGE CODE: -	DRAWING NO: C-2310924
MATERIAL: -		CUSTOMER DRAWING	SCALE: 1:1	SHEET: 1 OF 2
				REV: A

THIS DRAWING IS UNPUBLISHED. RELEASED FOR PUBLICATION
 © COPYRIGHT copyright_date BY - ALL RIGHTS RESERVED.

REVISIONS				
P	LTR	DESCRIPTION	DATE	APVD
-	-	SEE SHEET 1	-	-



NRW FABRIC TYPE WITH COVER
 P/N: 2310924-1



NRW FABRIC TYPE WITHOUT COVER
 P/N: 2310924-3
 ALL DIMENSIONS SAME WITH -1

THIS DRAWING IS A CONTROLLED DOCUMENT.		DWN JEFF WANG 14-Nov-2016	TE Connectivity	
DIMENSIONS: mm		CHK SIMON LI 14-Nov-2016		
TOLERANCES UNLESS OTHERWISE SPECIFIED: 0 PLC ±0.3 1 PLC ±0.3 2 PLC ±0.3 3 PLC ±0.3 4 PLC ±0.3 ANGLES ±3 FINISH		APVD COREL WANG 14-Nov-2016	NAME SKX-EP NRW FABRIC BOLSTER PLATE ASSY	
MATERIAL		PRODUCT SPEC 108-115115	SIZE A2	RESTRICTED TO -
		APPLICATION SPEC 114-115011	CAGE CODE -	DRAWING NO C=2310924
		WEIGHT	SCALE 2:1	SHEET 2 OF 2
		CUSTOMER DRAWING	REV A	