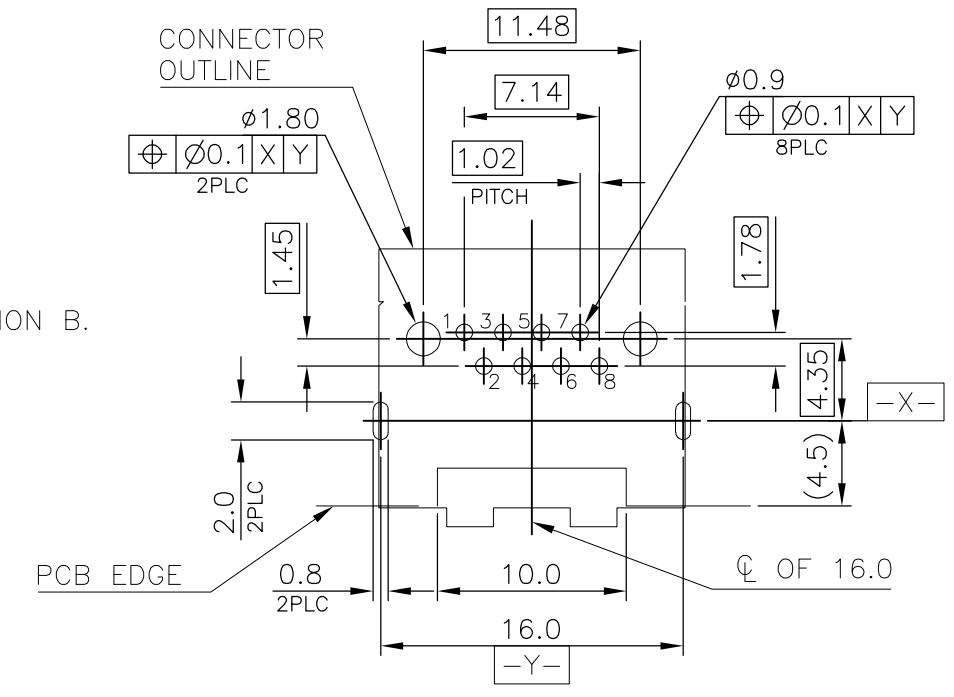
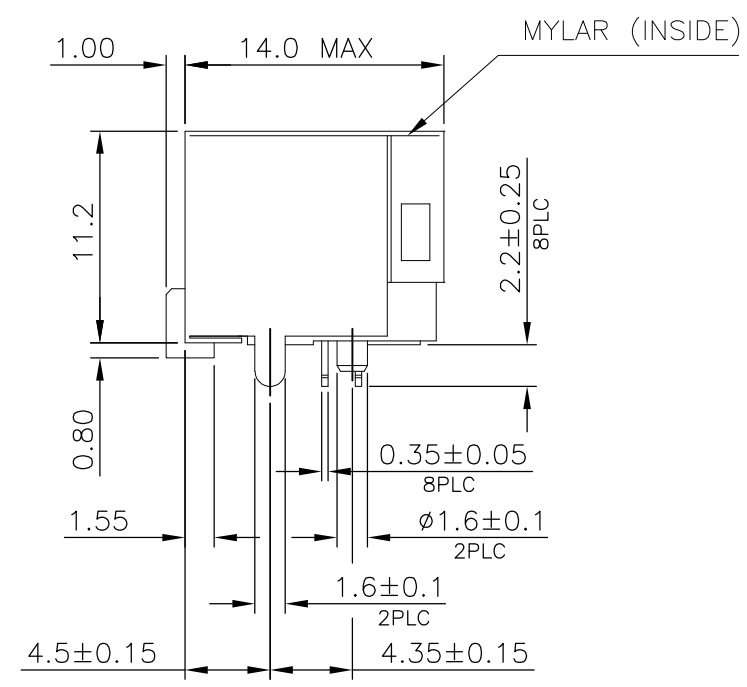
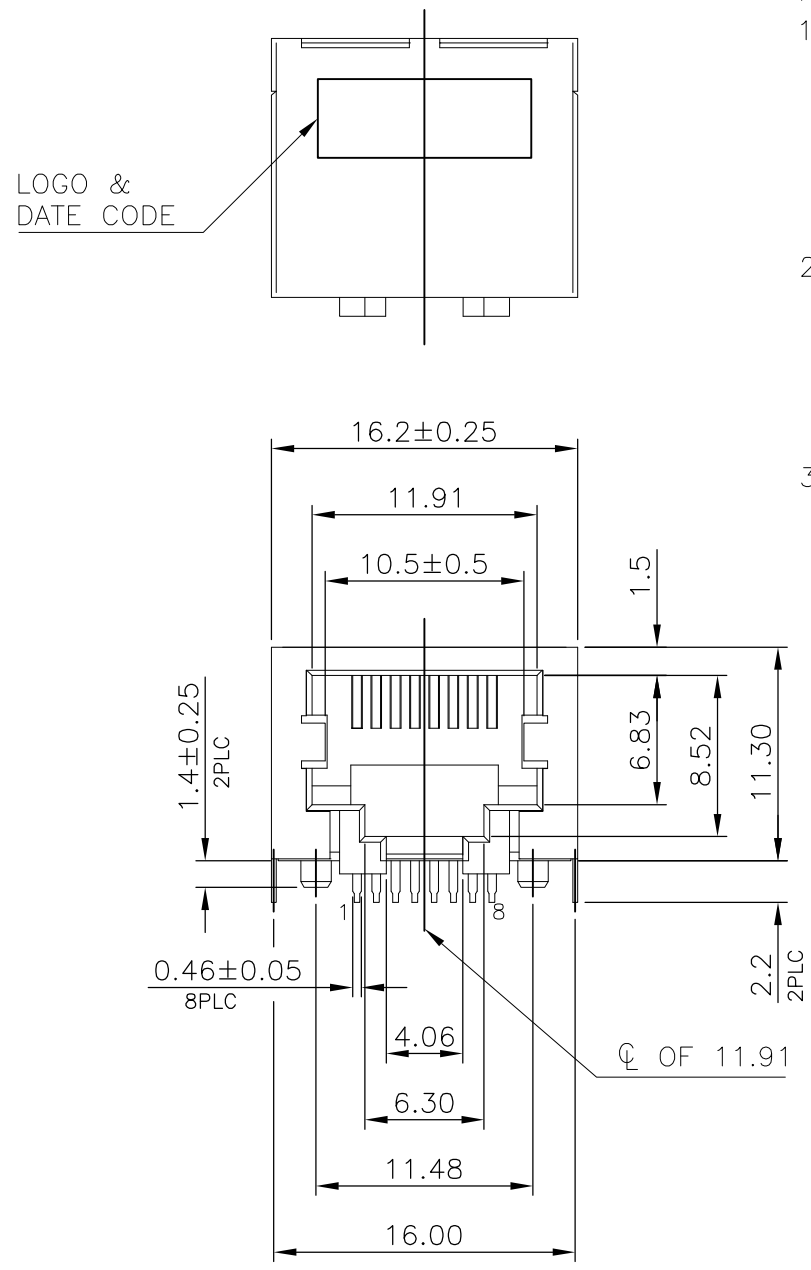


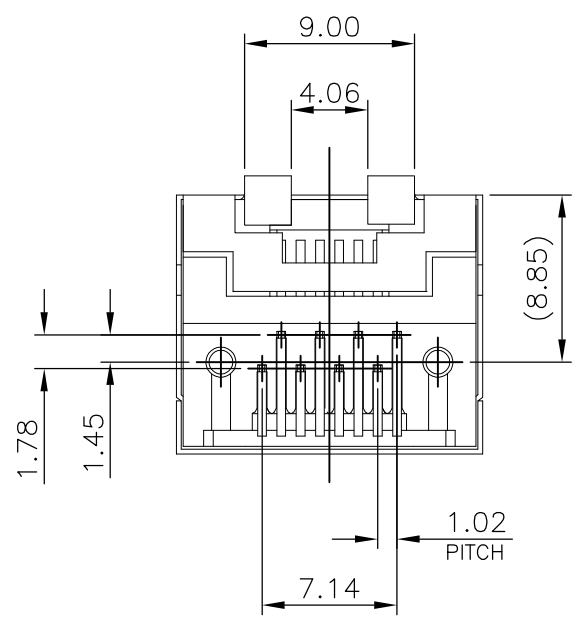
THIS DRAWING IS UNPUBLISHED. RELEASED FOR PUBLICATION  
 © COPYRIGHT - By - ALL RIGHTS RESERVED.

REVISIONS					
P	LTR	DESCRIPTION	DATE	DWN	APVD
	B	ECO-16-010975	22JUL2016	LL	SH

- NOTES:
- MATERIAL:
    - HOUSING & INSERT HOUSING: LCP, WITH 30% G.F, UL94 V-0; COLOR: BLACK
    - CONTACT: PHOSPHOR BRONZE.
    - SHELL: BRASS.
    - MYLAR: SILICONE POLYMER.
  - FINISH:
    - CONTACT: (SEE TABLE) GOLD PLATED ON CONTACT AREA. GOLD FLASH ON SOLDER TAIL. 1.27um [50u"] MIN. NICKEL UNDERPLATED OVERALL.
    - SHELL: 0.508um [20u"] MIN. NICKEL PLATED.
  - WAVE SOLDER CAPABLE TO 265°C PER TE SPEC. 109-202, CONDITION B.



RECOMMENDED PCB LAYOUT (COMPONENT SIDE)  
 TOLERANCE: ±0.05  
 PCB THICKNESS: 1.6mm



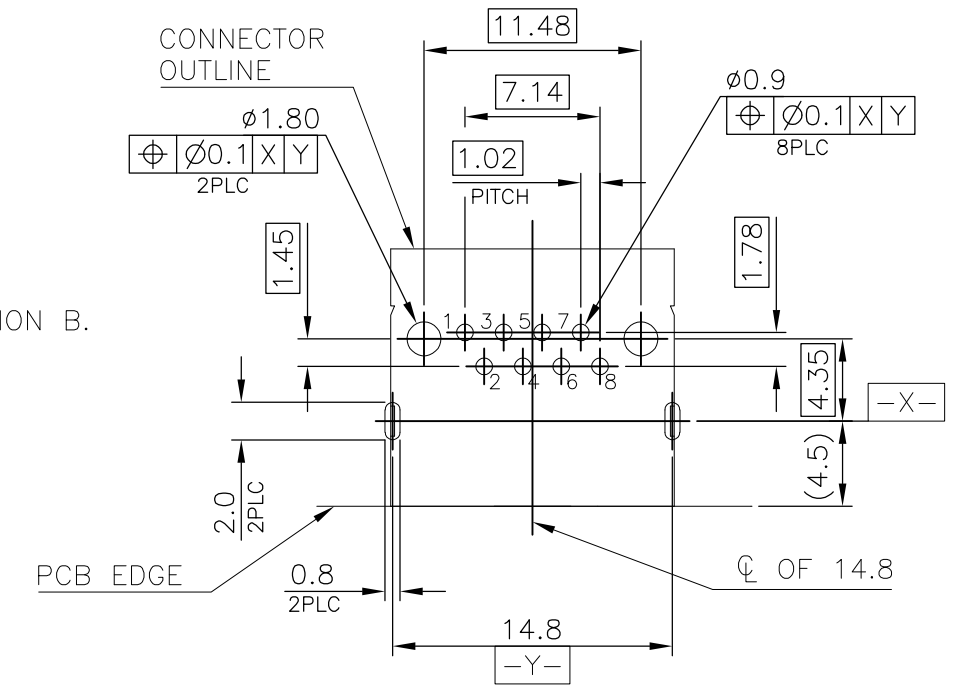
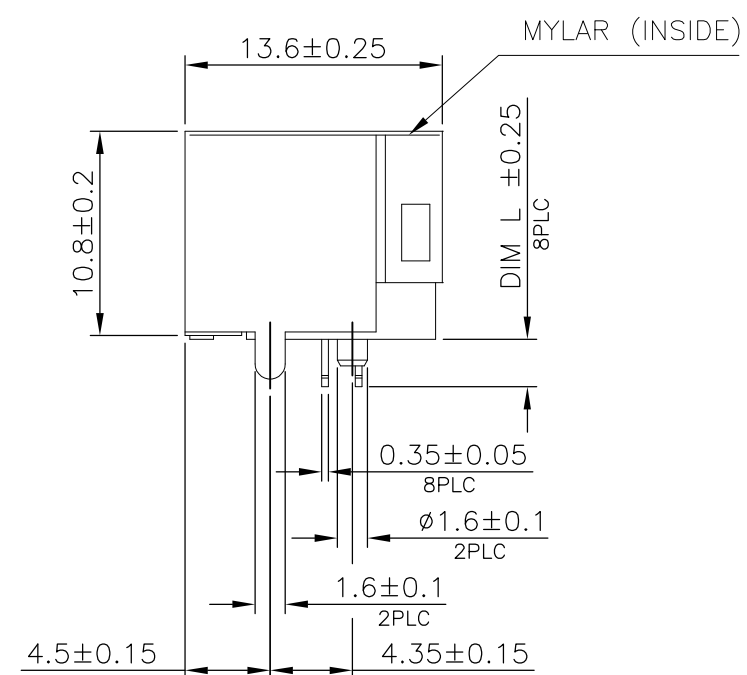
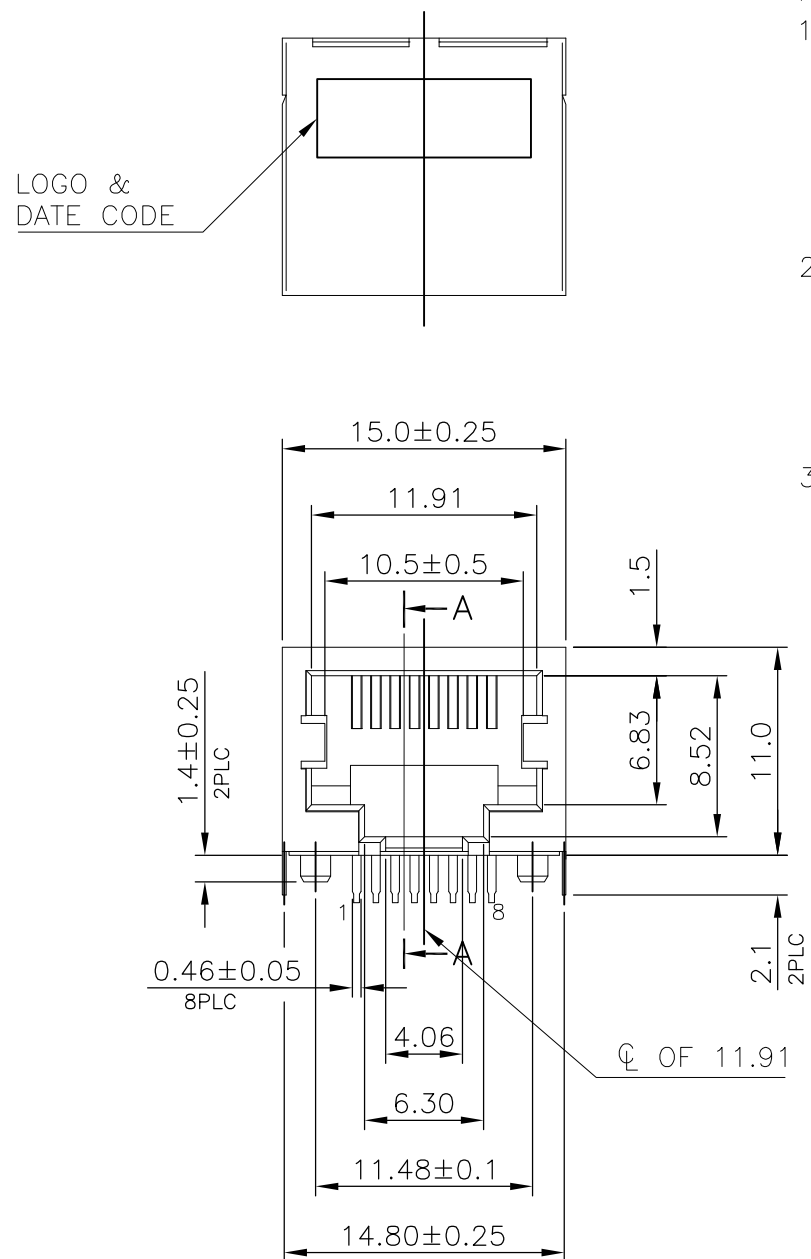
	1.27um [50u"]	1734579-4
OBSOLETE	0.762um [30u"]	<del>1734579-3</del>
OBSOLETE	0.381um [15u"]	<del>1734579-2</del>
	0.152um [6u"]	1734579-1
	MIN. GOLD THICKNESS	PART NUMBER

THIS DRAWING IS A CONTROLLED DOCUMENT.		DWN B. HSING 27OCT2006	TE Connectivity		
DIMENSIONS: mm		CHK S. CHIEN 27OCT2006			
TOLERANCES UNLESS OTHERWISE SPECIFIED:		APVD W. KODAMA 27OCT2006	NAME		
0 PLC ± - 1 PLC ± 0.3 2 PLC ± 0.2 3 PLC ± 0.15 4 PLC ± - ANGLES ± 3°		PRODUCT SPEC 108-57527	MODULAR JACK CONNECTOR RJ45, 8P8C SHIELDED, TAB DOWN, DIP TYPE		
MATERIAL SEE NOTE		FINISH SEE NOTE	APPLICATION SPEC -	SIZE A3	CAGE CODE 00779
		WEIGHT 0.000000	DRAWING NO C-1734579	RESTRICTED TO -	
CUSTOMER DRAWING			SCALE 1:1	SHEET 1 OF 3	REV B

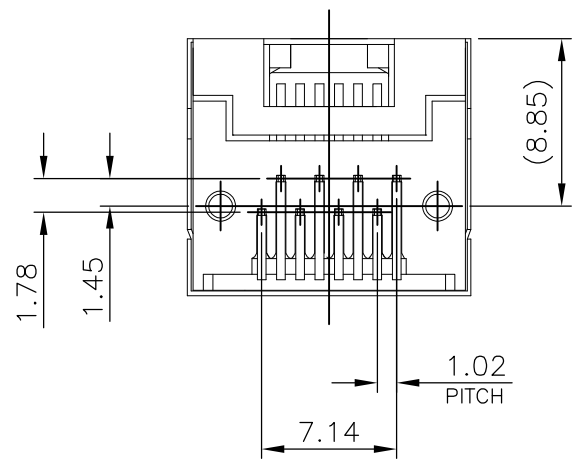
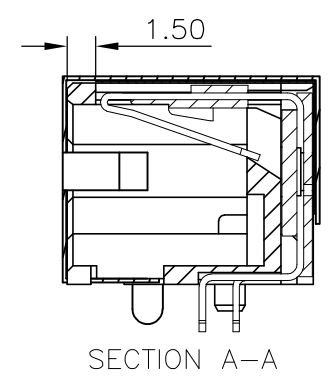
THIS DRAWING IS UNPUBLISHED. RELEASED FOR PUBLICATION  
 © COPYRIGHT - By - ALL RIGHTS RESERVED.

P	LTR	DESCRIPTION	DATE	DWN	APVD
-	-	SEE SHEET 1	-	-	-

- NOTES:
- MATERIAL:
    - HOUSING & INSERT HOUSING: LCP, WITH 30% G.F, UL94 V-0; COLOR: BLACK
    - CONTACT: PHOSPHOR BRONZE.
    - SHELL: BRASS.
    - MYLAR: SILICONE POLYMER.
  - FINISH:
    - CONTACT: (SEE TABLE) GOLD PLATED ON CONTACT AREA. GOLD FLASH ON SOLDER TAIL. 1.27um [50u"] MIN. NICKEL UNDERPLATED OVERALL.
    - SHELL: 0.508um [20u"] MIN. NICKEL PLATED.
  - WAVE SOLDER CAPABLE TO 265°C PER TE SPEC. 109-202, CONDITION B.



RECOMMENDED PCB LAYOUT (COMPONENT SIDE)  
 TOLERANCE: ±0.05  
 PCB THICKNESS: 1.6mm

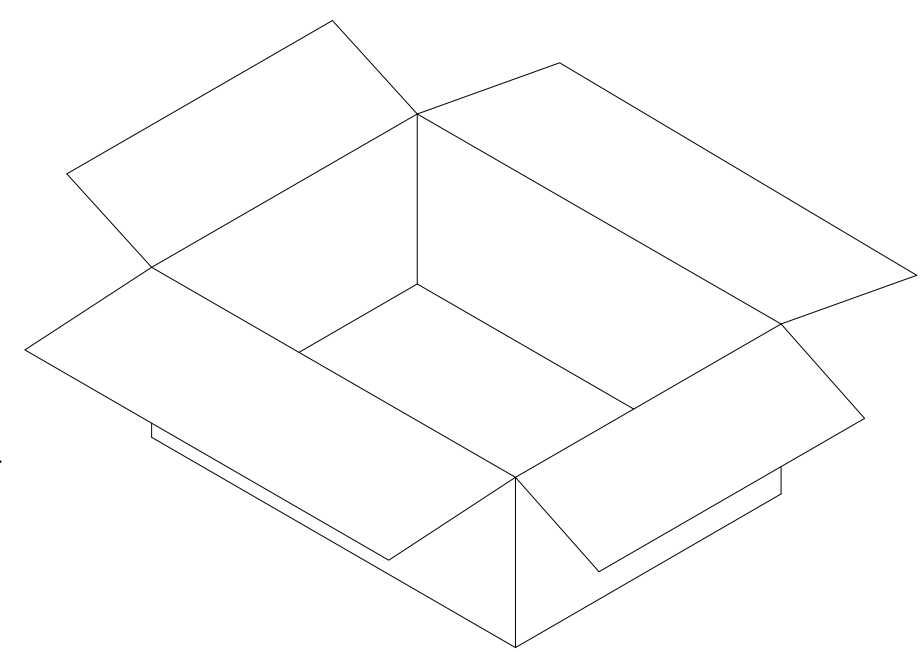
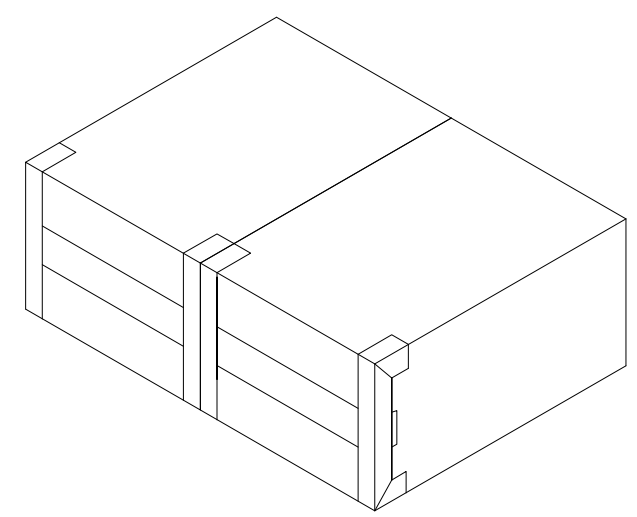
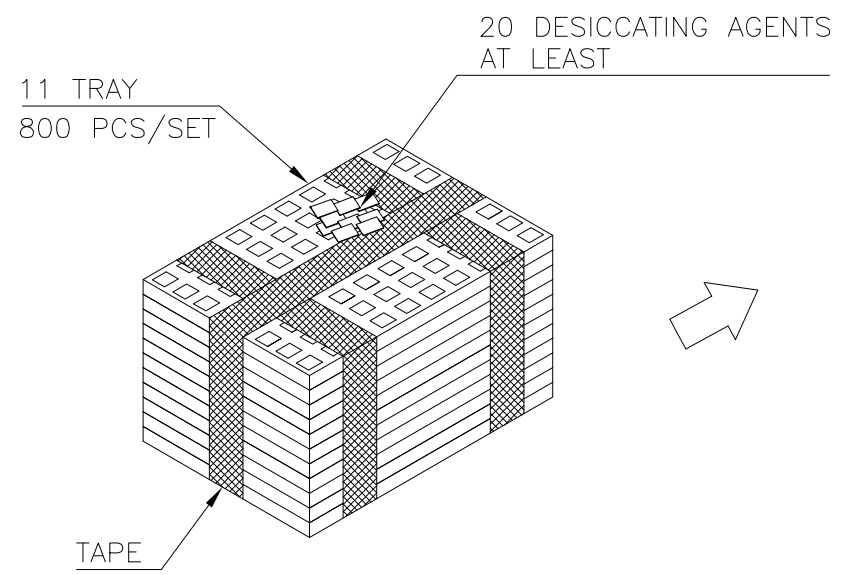
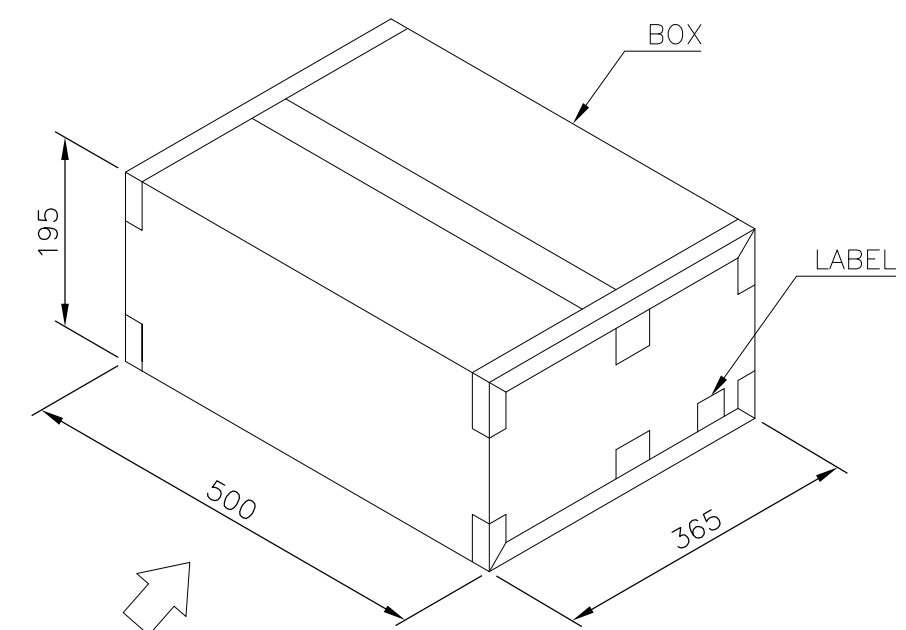
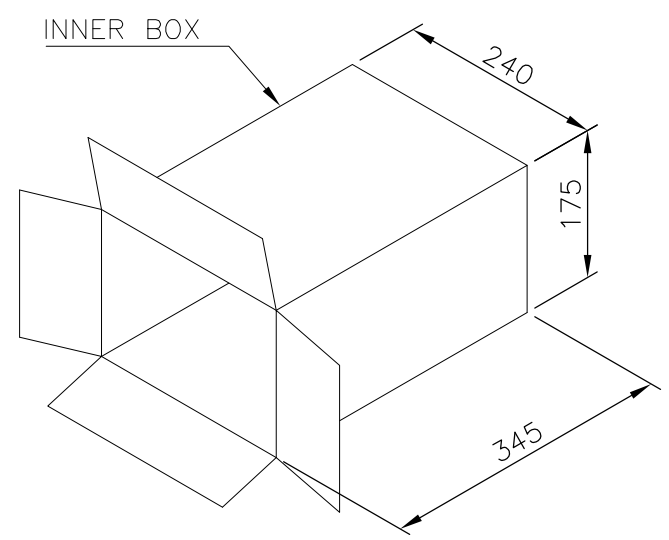
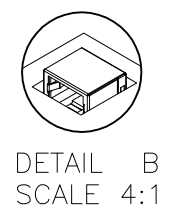
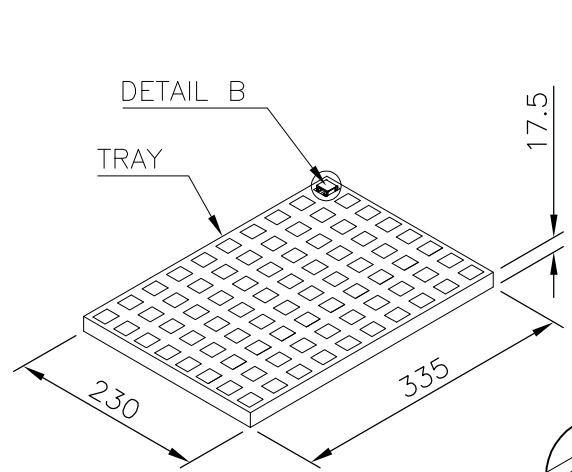


	2.5	1.27um [50u"]	2-1734579-4
	3.2	1.27um [50u"]	1-1734579-6
	2.5	1.27um [50u"]	1-1734579-4
		0.762um [30u"]	1-1734579-3
		0.381um [15u"]	<del>1-1734579-2</del>
OBSOLETE		0.152um [6u"]	<del>1-1734579-1</del>
	DIM L	MIN. GOLD THICKNESS	PART NUMBER

THIS DRAWING IS A CONTROLLED DOCUMENT.		DWN B. HSING 27OCT2006	TE Connectivity		
DIMENSIONS: mm		CHK S. CHIEN 27OCT2006			
TOLERANCES UNLESS OTHERWISE SPECIFIED:		APVD W. KODAMA 27OCT2006	NAME		
0 PLC ± -		PRODUCT SPEC 108-57527			
1 PLC ± 0.3		APPLICATION SPEC			
2 PLC ± 0.2		SIZE CAGE CODE DRAWING NO RESTRICTED TO			
3 PLC ± 0.15		A3 00779 C-1734579			
4 PLC ± -		SCALE 1:1 SHEET 2 OF 3 REV B			
ANGLES ± 3'		WEIGHT 0.000000			
FINISH		CUSTOMER DRAWING			
SEE NOTE		SEE NOTE			

THIS DRAWING IS UNPUBLISHED. RELEASED FOR PUBLICATION  
 © COPYRIGHT - By - ALL RIGHTS RESERVED.

REVISIONS					
P	LTR	DESCRIPTION	DATE	DWN	APVD
-	-	SEE SHEET 1	-	-	-



6.5 Kg	4.5 Kg	80	20	1600	2-1734579-4
6.5 Kg	4.5 Kg				1-1734579-X
7.6 Kg	5.6 Kg				1734579-X
GROSS WEIGHT	NET WEIGHT	PCS/ TRAY	TRAY/ BOX	PCS/ BOX	PART NUMBER

THIS DRAWING IS A CONTROLLED DOCUMENT.		DWN B. HSING 27OCT2006	<b>STE</b> TE Connectivity		
DIMENSIONS: mm		CHK S. CHIEN 27OCT2006			
TOLERANCES UNLESS OTHERWISE SPECIFIED:		APVD W. KODAMA 27OCT2006	NAME		
0 PLC ± -		PRODUCT SPEC	MODULAR JACK CONNECTOR		
1 PLC ± 0.3		108-57527	RJ45, 8P8C		
2 PLC ± 0.2		APPLICATION SPEC	SHIELDED, TAB DOWN, DIP TYPE		
3 PLC ± 0.15		-	SIZE	CAGE CODE	DRAWING NO
4 PLC ± -		WEIGHT 0.000000	A3	00779	C-1734579
ANGLES ± 3°		CUSTOMER DRAWING	RESTRICTED TO	-	
MATERIAL SEE NOTE		FINISH SEE NOTE	SCALE 1:1	SHEET 3 OF 3	REV B