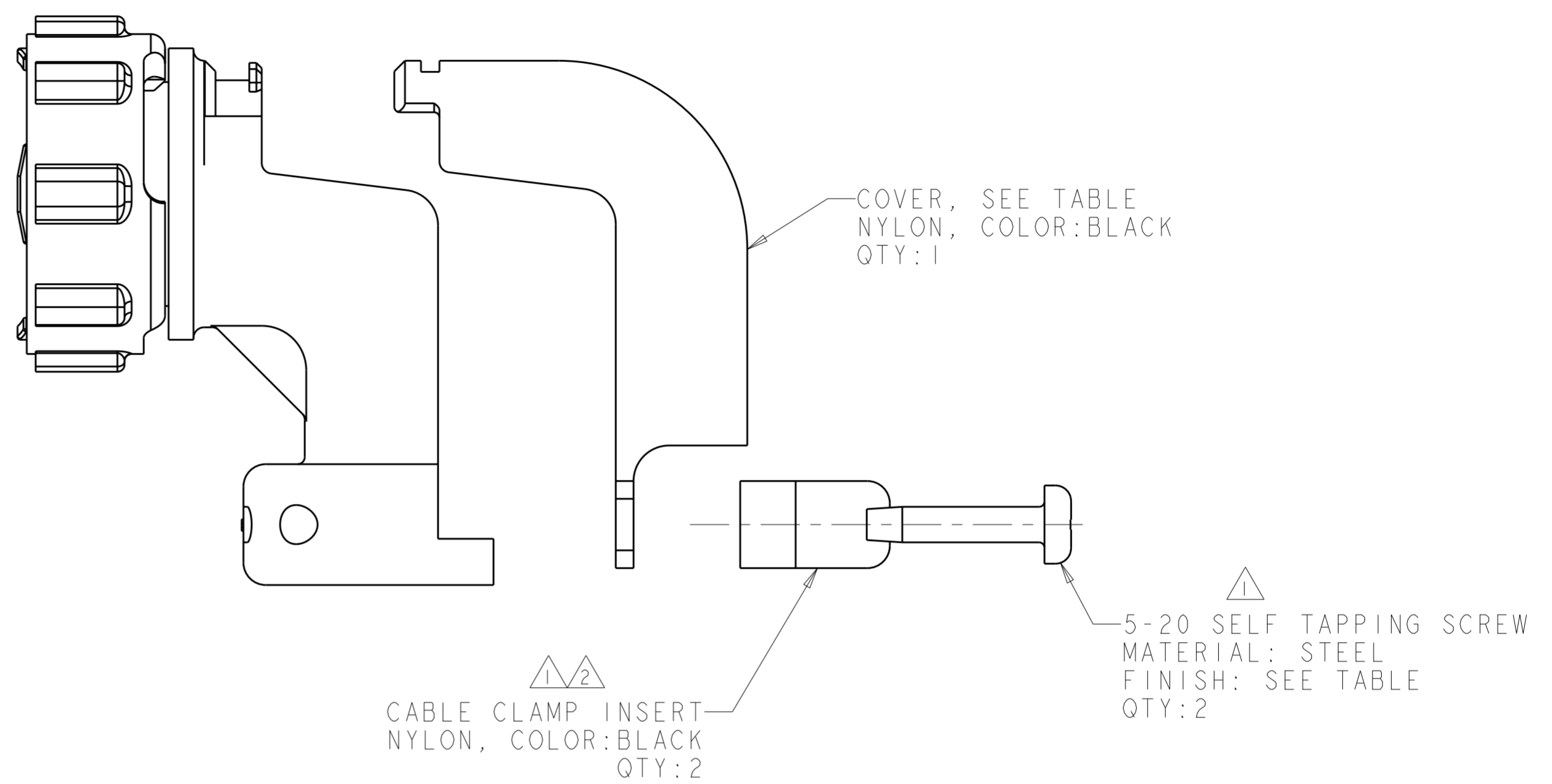
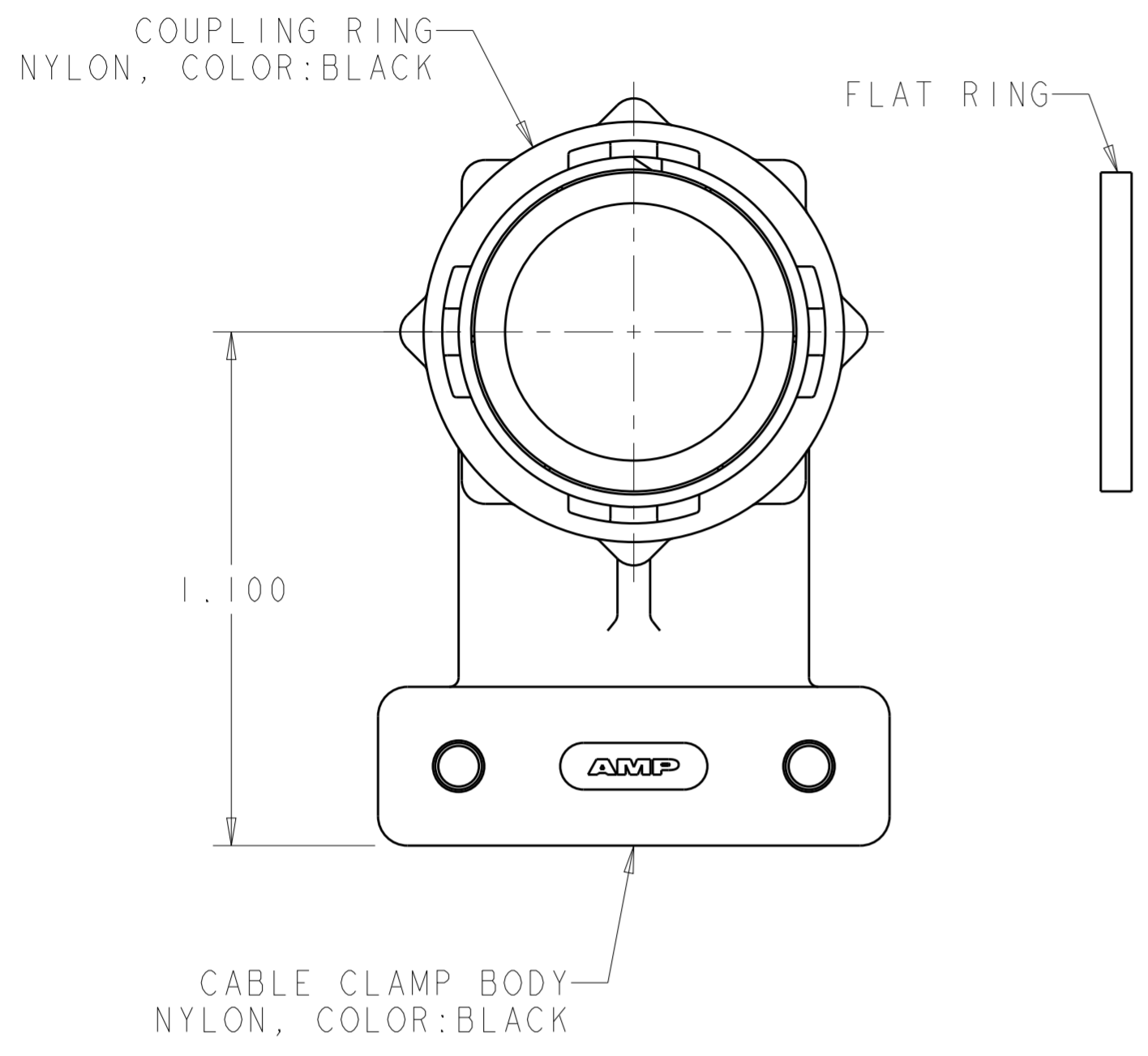
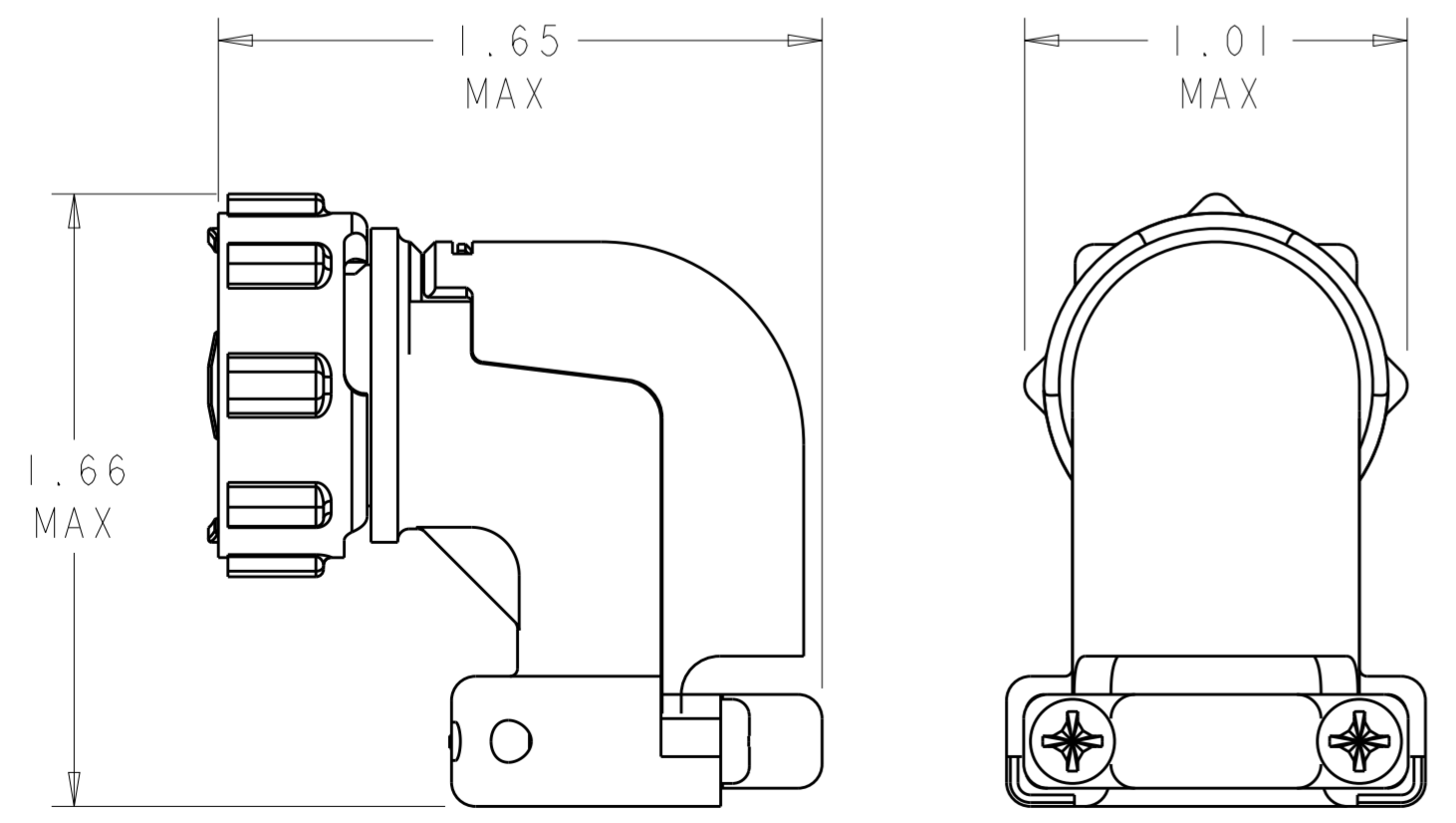


THIS DRAWING IS UNPUBLISHED. RELEASED FOR PUBLICATION  
 © COPYRIGHT 20 BY - ALL RIGHTS RESERVED.

REVISIONS				
P	LTR	DESCRIPTION	DATE	APVD
	CI	REVISED PER ECO-16-004800	08SEP2016	NK MZ



- 1 SELF TAPPING SCREWS AND CABLE CLAMP INSERTS PACKAGED UNASSEMBLED.
- 2 CLAMPING AREA ADJUSTABLE TO .453 O.D. MAX CABLE. CABLE CLAMP INSERTS CAN BE ADJUSTED BY INVERTING OR CHANGING CABLE CLAMP INSERT.



ASSEMBLED VIEW  
SCALE 2:1

	ZINC PLATED NON-HEXAVALENT CHROMATE	YES	1546746-4
	ZINC PLATED NON-HEXAVALENT CHROMATE	NO	1546746-3
	ZINC PLATED NON-HEXAVALENT CHROMATE	YES	1546746-2
OBSOLETE	ZINC PLATED NON-HEXAVALENT CHROMATE	NO	1546746-1
	SCREW FINISH	COVER	PART NUMBER

THIS DRAWING IS A CONTROLLED DOCUMENT.		DWN S. WELDON 06 JUN 2003	TE Connectivity	
DIMENSIONS: INCHES		CHK H. WAKEEM 06 JUN 2003		
TOLERANCES UNLESS OTHERWISE SPECIFIED:		APVD H. WAKEEM 06 JUN 2003		
0 PLC	±	PRODUCT SPEC	NAME CABLE CLAMP KIT, UNASSEMBLED, R/A, W/COVER, SIZE 11, MINI CPC	
1 PLC	±	APPLICATION SPEC	SIZE	CAGE CODE
2 PLC	±	WEIGHT	A200779	C-1546746
3 PLC	±0.005	CUSTOMER DRAWING	SCALE 3:1	SHEET 1 OF 1
4 PLC	±			REV C1
ANGLES	±			
FINISH	-			