

PART NAME

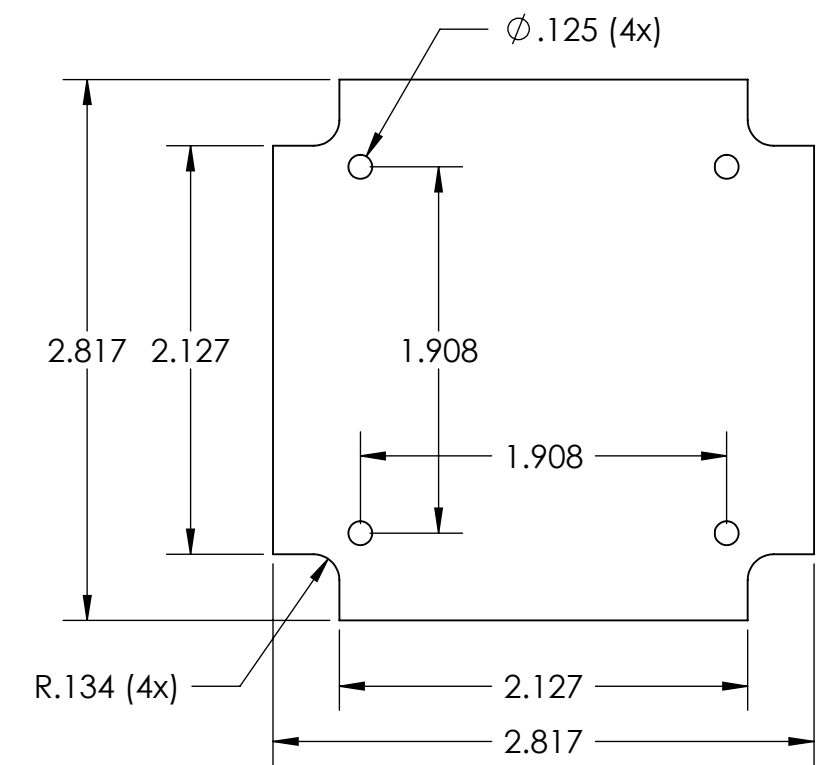
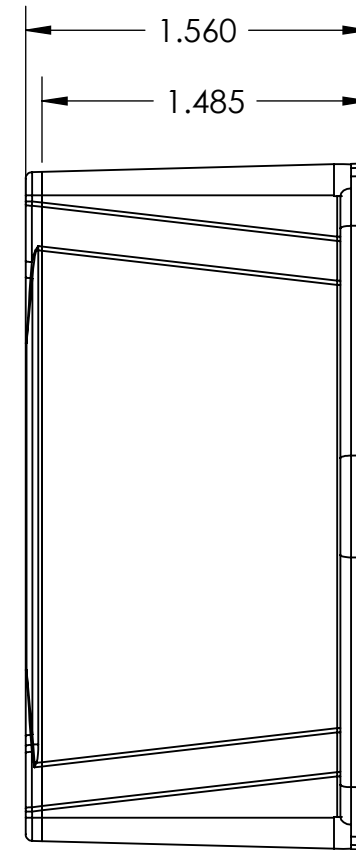
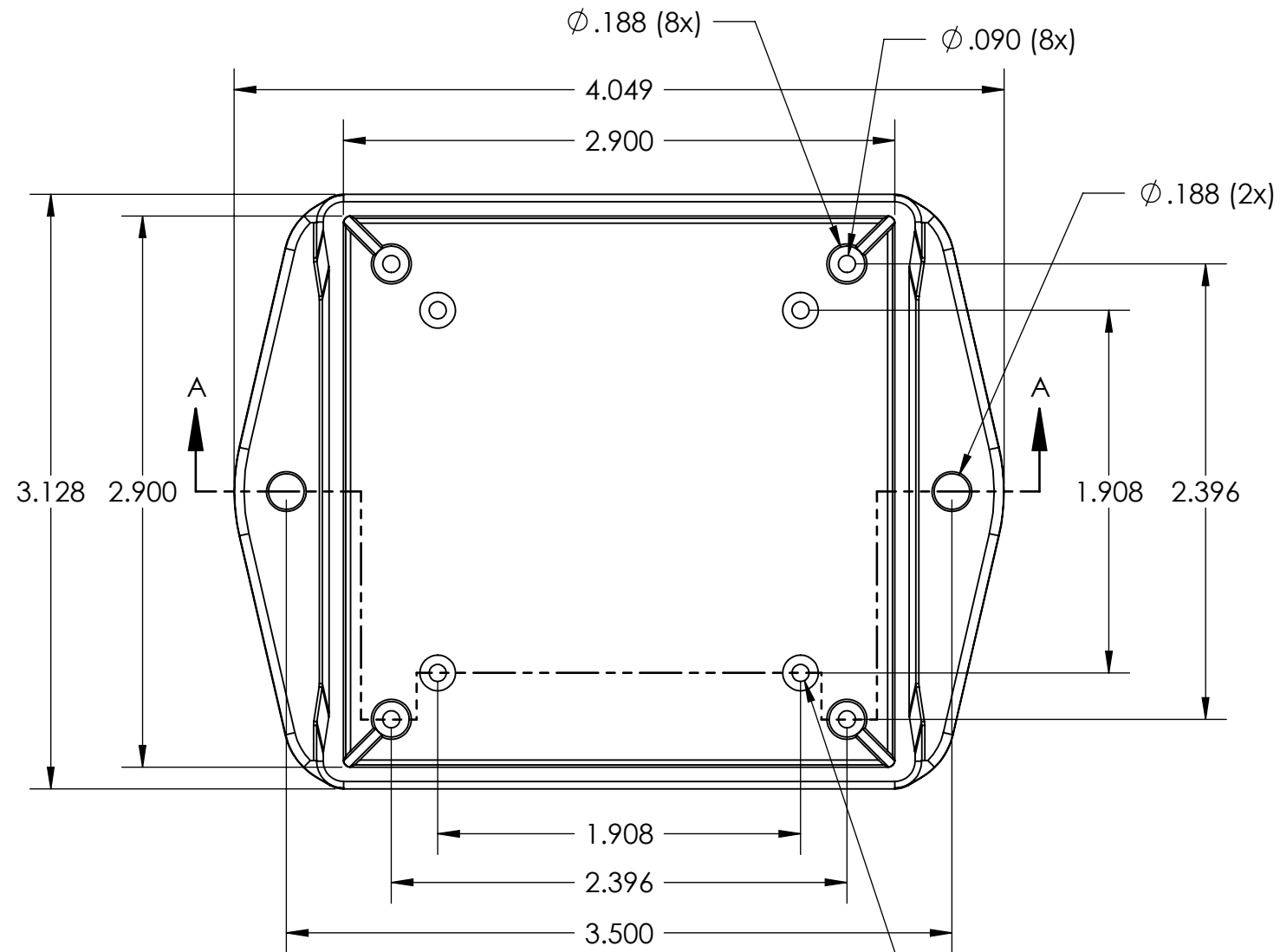
UTILIBOX (STYLE L)

PART No.

CU-1937-MB

REVISION DATE

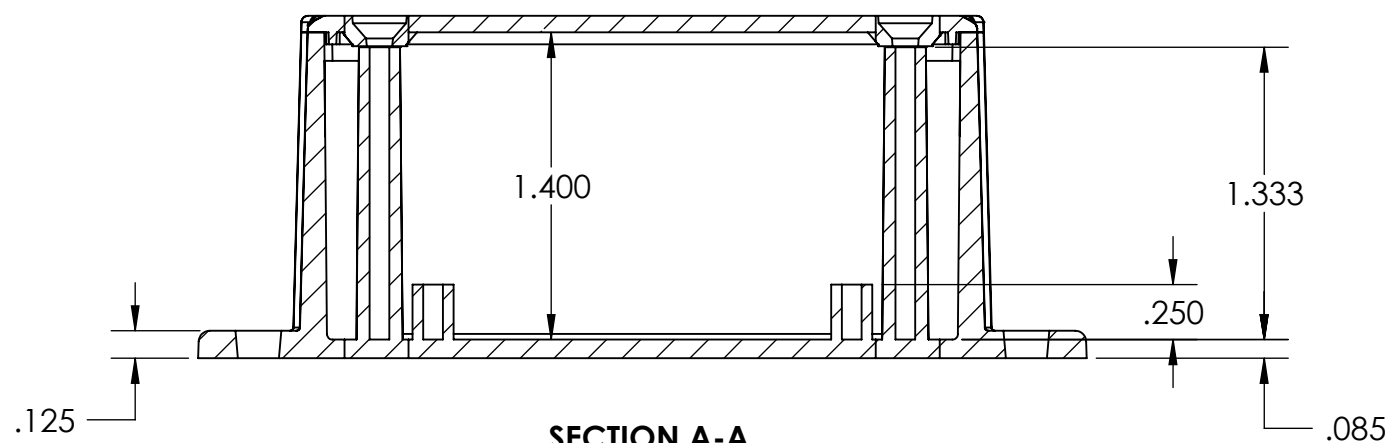
1-3-11



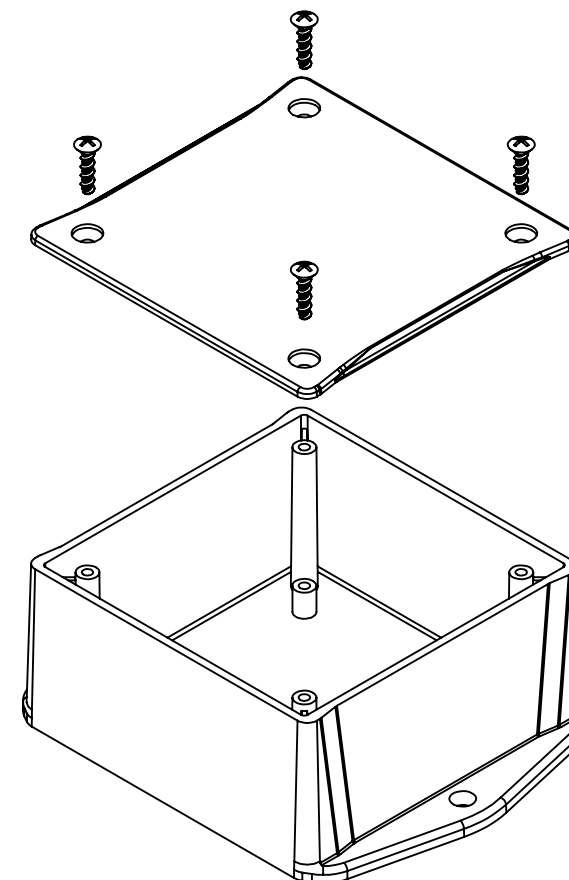
**SUGGESTED PC BOARD LAYOUT**

**COVER NOT SHOWN THIS VIEW ONLY**

PC BOARD MOUNTING BOSSES ACCEPT #4 x 1/4" LG THREAD FORMING SCREWS (NOT SUPPLIED)



**SECTION A-A**



MATERIAL: ABS UL94V-0, BLACK

NOTES:

- 1.) FOUR (4) #4-24 x 1/2" LG. THREAD FORMING SCREWS SUPPLIED FOR ASSEMBLY OF COVER TO BODY.
- 2.) ALL DIMENSIONS HAVE ±.015 TOLERANCE
- 3.) ALL OUTSIDE AND INSIDE DRAFT ANGLE: .5° ±.5°