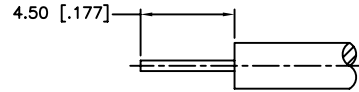
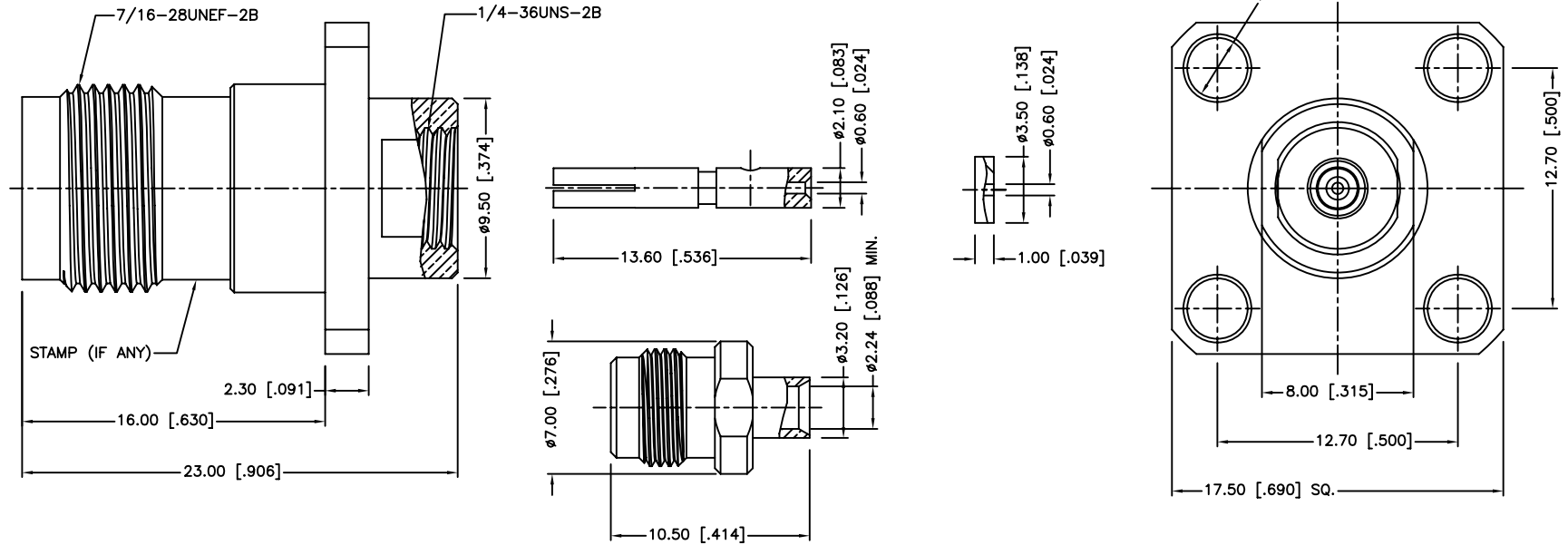


REV.	DATE	ECR NO.	DESCRIPTION
NC	03/12/13	XXXXXX	INITIAL RELEASE



RECOMMENDED  
CABLE STRIPPING DIM'S



- NOTES:
- 1 IMPEDANCE:50 OHM
  2. FREQUENCY RANGE: DC 0 - 11 GHz
  3. DIELECTRIC WITHSTANDING VOLTAGE:1500 VRMS. MIN.
  4. DURABILITY:500 CYCLES MIN.
  5. TEMPERATURE RANGE:-65°C TO +165°C
  6. CRIMPED CONTACT PIN  
HEX CRIMP SIZE .068

6	SOLDER NUT	BRASS	GOLD	1
5	INSULATOR	PTFE	NATURAL	1
4	LOCK RING	BRASS	NICKEL	1
3	CONTACT PIN	PHOSPHOR BRONZE	GOLD	1
2	INSULATOR	PTFE	NATURAL	1
1	BODY	BRASS	NICKEL	1
DESCRIPTION	MATERIAL	FINISH	QTY	

UNLESS OTHERWISE SPECIFIED DIMENSIONS ARE IN MILLIMETERS. DIMENSIONS IN [ ] ARE IN INCHES AND FOR CUSTOMER REFERENCE ONLY.  
UNLESS OTHERWISE SPECIFIED  
TOLERANCES FOR MILLIMETERS ARE:  
<0.5 ± 0.05mm  
0.5 - 6mm ± 0.10mm  
6 - 30mm ± 0.20mm  
30 - 120mm ± 0.30mm  
ANGLES ± 1°  
UNLESS OTHERWISE SPECIFIED  
TOLERANCES FOR INCHES ARE:  
<.020 ± 0.002"  
.020 - .236 ± 0.004"  
.236 - 1.180 ± 0.007"  
1.180 - 4.724 ± 0.012"  
ANGLES ± 1°  
DO NOT SCALE DRAWING

APPROVALS	DATE
DRAWN S.LI	03/12/13
CHECKED	
ISSUED	
SHEET 1 OF 1	
CAD FILE C:/CONNEX/122389.DWG	

<h1>Amphenol Connex</h1>			
PART DESCRIPTION			
<b>TNC PANEL DIRECT SOLDER JACK (FOR .085",.086" CABLE)</b>			
PART NO.		<b>122389</b>	
DWG. NO.	122389.DWG	REV.	NC
SIZE	A	SCALE	NA