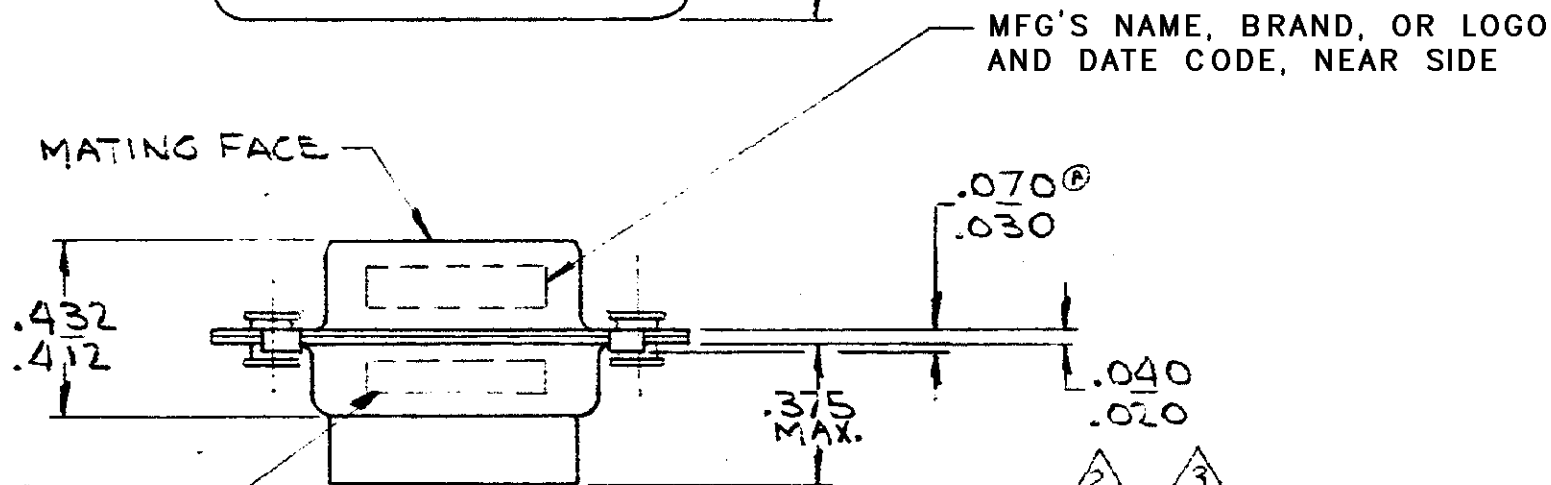
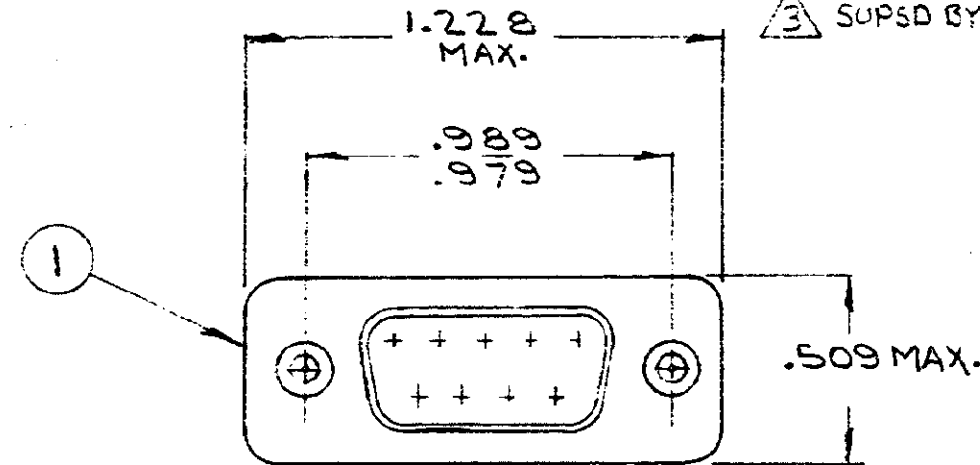


© 1971 BY AMP INCORPORATED. ALL RIGHTS RESERVED. AMP PRODUCTS COVERED BY PATENTS AND/OR PATENTS PENDING.

Unpublished copy not to be reproduced nor published without written permission of AMP Incorporated

- 1 APPROPRIATE MIL. P/N (KIT) IS MARKED ON PACKAGE
- 2 SUPSD BY 205486-2 & 91067-2
- 3 SUPSD BY 205412-1 & 91067-2

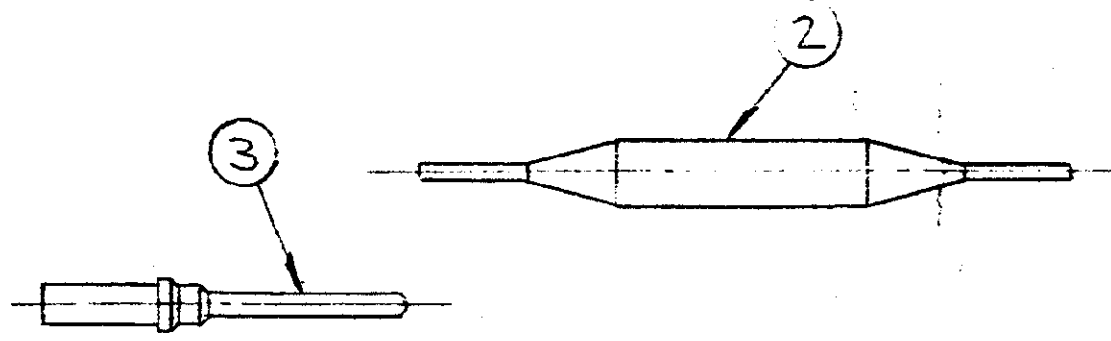
REVISIONS				
ZONE	LTR	DESCRIPTION	DATE	APPROVED
A		REV. PER ECN B-774	3/15/71	FAB
B		REV PER ECN 5-13-71	5/13/71	
C		2-V PER ECN D-511	5/13/71	
D		REV PER ECN 5-13-71	5/13/71	
E		REV PER ECN DF-0021:DF-0462 R2676	1-13-88	CSM
F		REV PER ECN DF-5118	12-19-91	FK
G		ECO-08-023688	PY 11-08	BW



MATING FACE

MFG'S NAME, BRAND, OR LOGO AND DATE CODE, NEAR SIDE

MILITARY P/N M24308/4-302 F MARKED, FAR SIDE



QTY	UNIT	DESCRIPTION	ITEM NO.
9	B	205089-1 CONTACT, PIN - SIZE 20	3
1	B	91067-1 INSERTION / EXTRACTION TOOL	2
1	B	205412-1 PLUG ASSY - SIZE #1	1
3	-2-1	DWG NUMBER	NAME

UNLESS OTHERWISE SPECIFIED DIMENSIONS ARE IN INCHES TOLERANCES ON: DECIMALS = ± .005 ANGLES = ± .5°	CONTRACT NO.	AMP INCORPORATED HARRISBURG, PENNSYLVANIA	
	DR. <i>5/14/71</i>	NAME <b>AMP</b> KIT, "HDM" SERIES, PLUG, SIZE #1	
MATERIAL	APP. <i>5-13-71</i>	SIZE	CODE IDENT NO. NUMBER
	REL. <i>5/13/71</i>	B	00779 205486
	DSGN APPD	SCALE	REV G
	OTHER APPD		SHEET 1 OF 1

FJDO 4770117