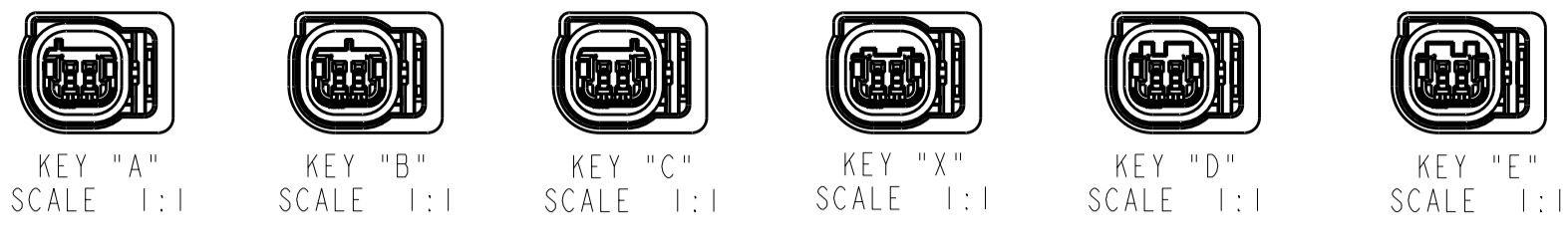
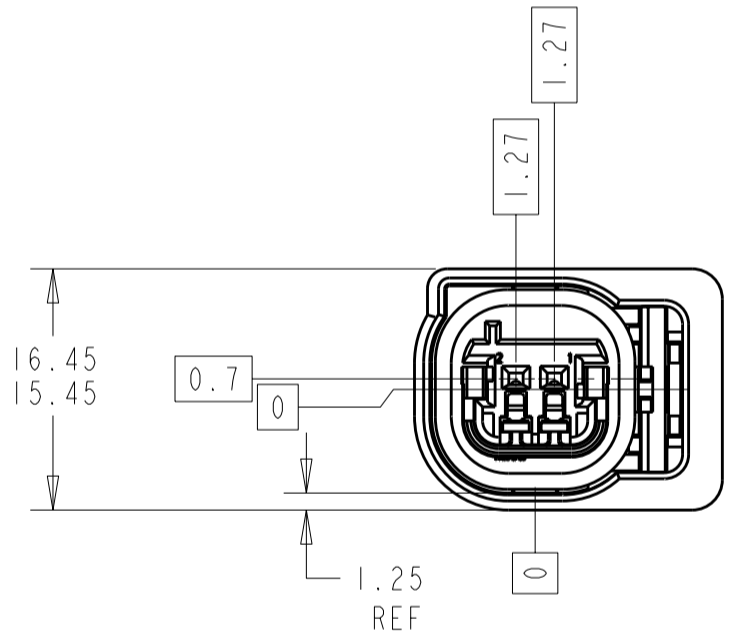
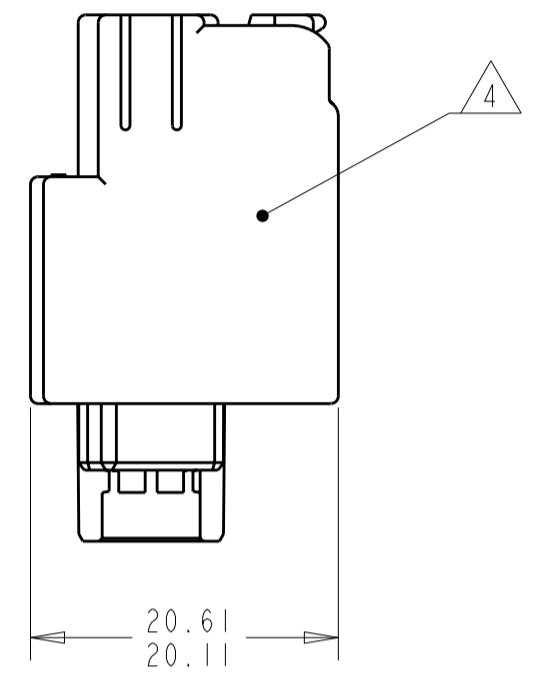


THIS DRAWING IS UNPUBLISHED. RELEASED FOR PUBLICATION
 © COPYRIGHT 20 BY TYCO ELECTRONICS CORPORATION. ALL RIGHTS RESERVED.

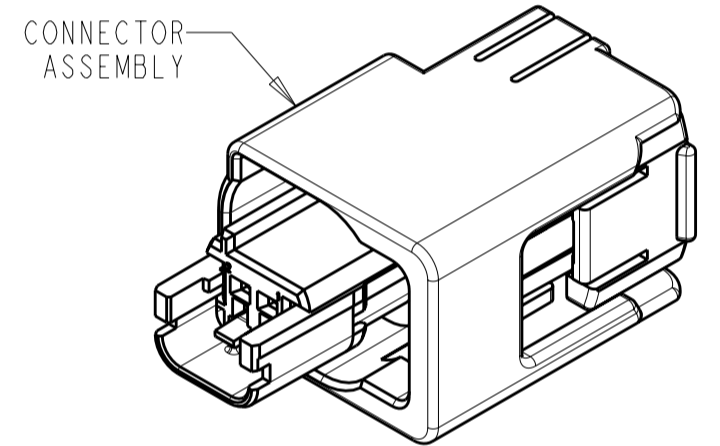
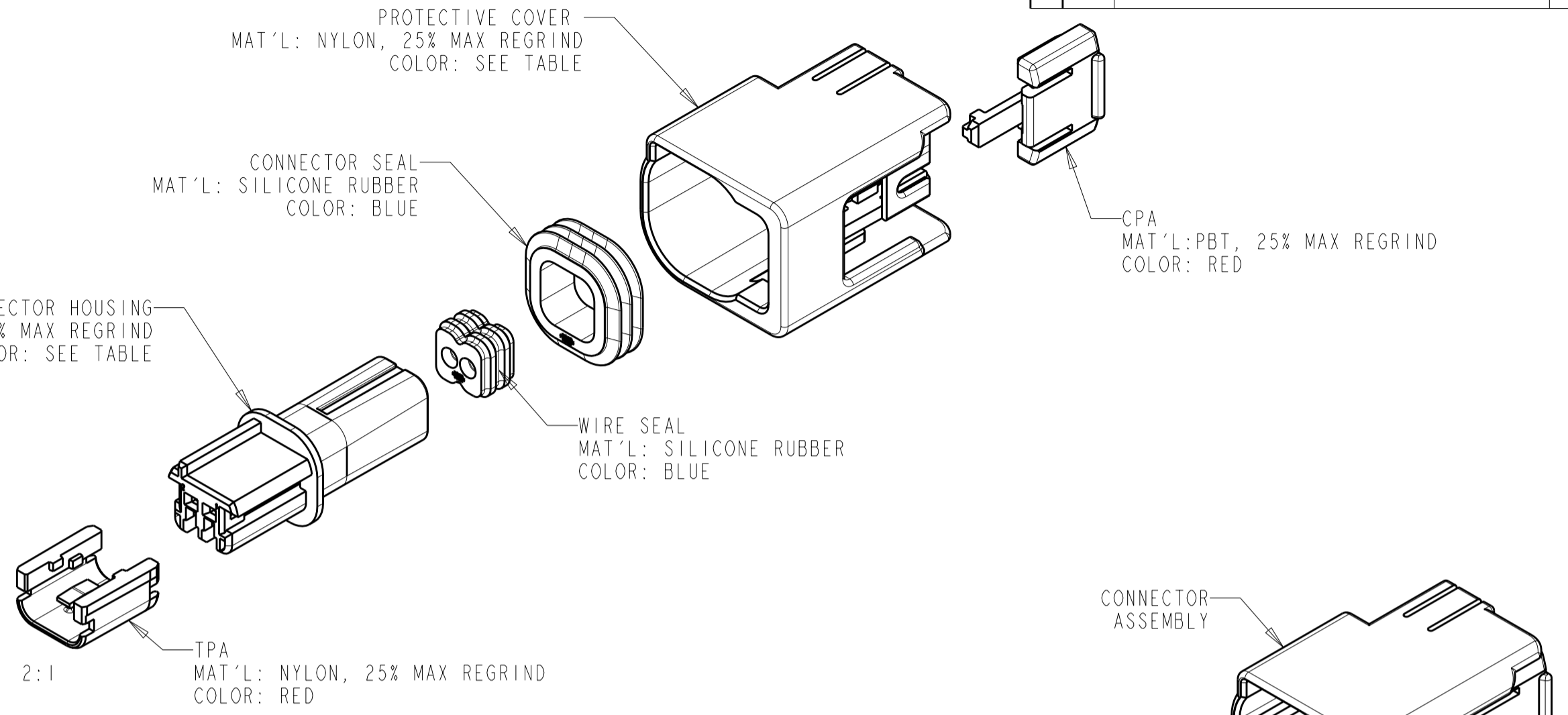
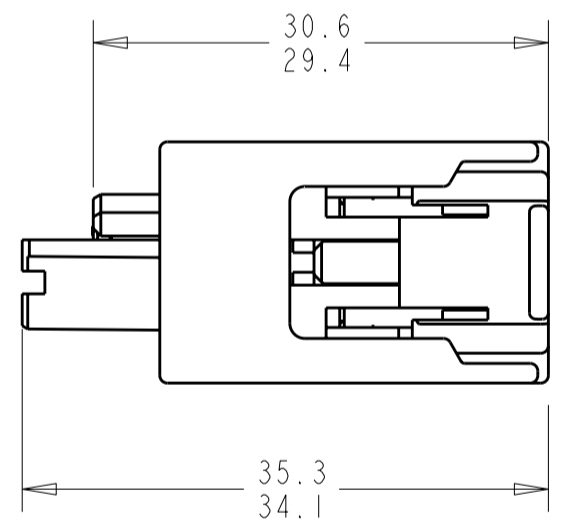
LOC	DIST	REVISIONS			
P	LTR	DESCRIPTION	DATE	DWN	APVD
GE	00				
	O	RELEASED PER EC 0K80-0169-03	20JUN2003	DJA	TMS
	A	ADDED: -21 PER EC 0K80-0180-04	02JUN2004	DLD	CJS
	A1	REVISED PER ECO-07-025000	01NOV2007	DLD	CJS
	A2	REVISED PER ECO-08-018575	30JUL2008	DLD	CJS



KEYING CONFIGURATION



THE FEMALE CONTACT SPRING FINGER ENGAGES IN THE VERTICAL DIRECTION IN THIS VIEW



SCALE 2:1

- ① TPA SHOWN IN OPEN POSITION.
- ② A "X" IN THIS TABLE INDICATES THAT THE CIRCUIT IS BLOCKED AND WILL NOT ALLOW INSERTION OF TERMINAL. A "-" INDICATES THAT INSERTION OF TERMINAL CAN OCCUR.
- ③ PART NUMBER 1438426-1 SHOWN.
- ④ AMP PART NUMBER AND DATE CODE MARKED IN THIS GENERAL LOCATION.
- ⑤ FOR SAFTY SYSTEM INNER & OUTER HOUSING COLOR: YELLOW.
- ⑥ INNER & OUTER HOUSING COLOR: BLACK.
- ⑦ INNER & OUTER HOUSING COLOR: GRAY.

FORCE REQUIREMENT	MIN(N)	MAX(N)
TPA ENGAGE PRESET TO FULL INSTALL	5	55
TPA DISENGAGE FULL TO PRESET	15	60
TPA REMOVAL FROM HOUSING	15	-
CPA ENGAGE PRESET TO LOCKED POSITION	-	30
CPA DISENGAGE LOCKED TO PRESET	-	30
CPA REMOVAL FROM HOUSING	15	-

⑥				
⑥	X	X	A	2-1438426-1
⑥	-	-	X	1438426-7
⑥	-	-	E	1438426-6
⑥	-	-	D	1438426-5
⑤	-	-	C	1438426-4
⑦	-	-	B	1438426-3
⑥	X	-	A	1438426-2
⑥	-	-	A	1438426-1
NOTES	CIRCUIT 2 CIRCUIT 1		KEY CONFIGURATION (DRAWING ZONE D3)	PART NUMBER
	USED CIRCUIT PATTERN			

THIS DRAWING IS A CONTROLLED DOCUMENT FOR TYCO ELECTRONICS CORPORATION. IT IS SUBJECT TO CHANGE AND THE CONTROLLING ENGINEERING ORGANIZATION SHOULD BE CONTACTED FOR THE LATEST REVISION.

DWN: D. AHERON 11JUN03
 CHK: M. SHORE 11JUN03
 APVD: M. SHORE 11JUN03

Tyco Electronics
 Harrisburg, PA 17105-3608

NAME: CONNECTOR ASSEMBLY, FEMALE, 2 POSITION SEALED, 0.64mm

SIZE: A2 CAGE CODE: 00779 DRAWING NO: 1438426 RESTRICTED TO: -

MATERIAL: - FINISH: - WEIGHT: - SCALE: 2:1 SHEET 1 OF 1 REV: A2

PRODUCT SPEC: SAE/USCAR-2 8/97

APPLICATION SPEC: -

CUSTOMER DRAWING