

- NOTES:
- 1.0 MATERIALS:
 - 1.1 CPLING NUT & MAIN HSG.: STAINLESS STEEL PER ASTM-A582, TYPE 303.
 - 1.2 TERMINATION HSG.: HALF HARD BRASS PER ASTM B16
 - 1.3 CENTER CONTACT: BERYLLIUM COPPER ROD ALLOY C172, PER ASTM-B196.
 - 1.4 DIELECTRIC: PTFE FLUOROCARBON PER ASTM-D1457.

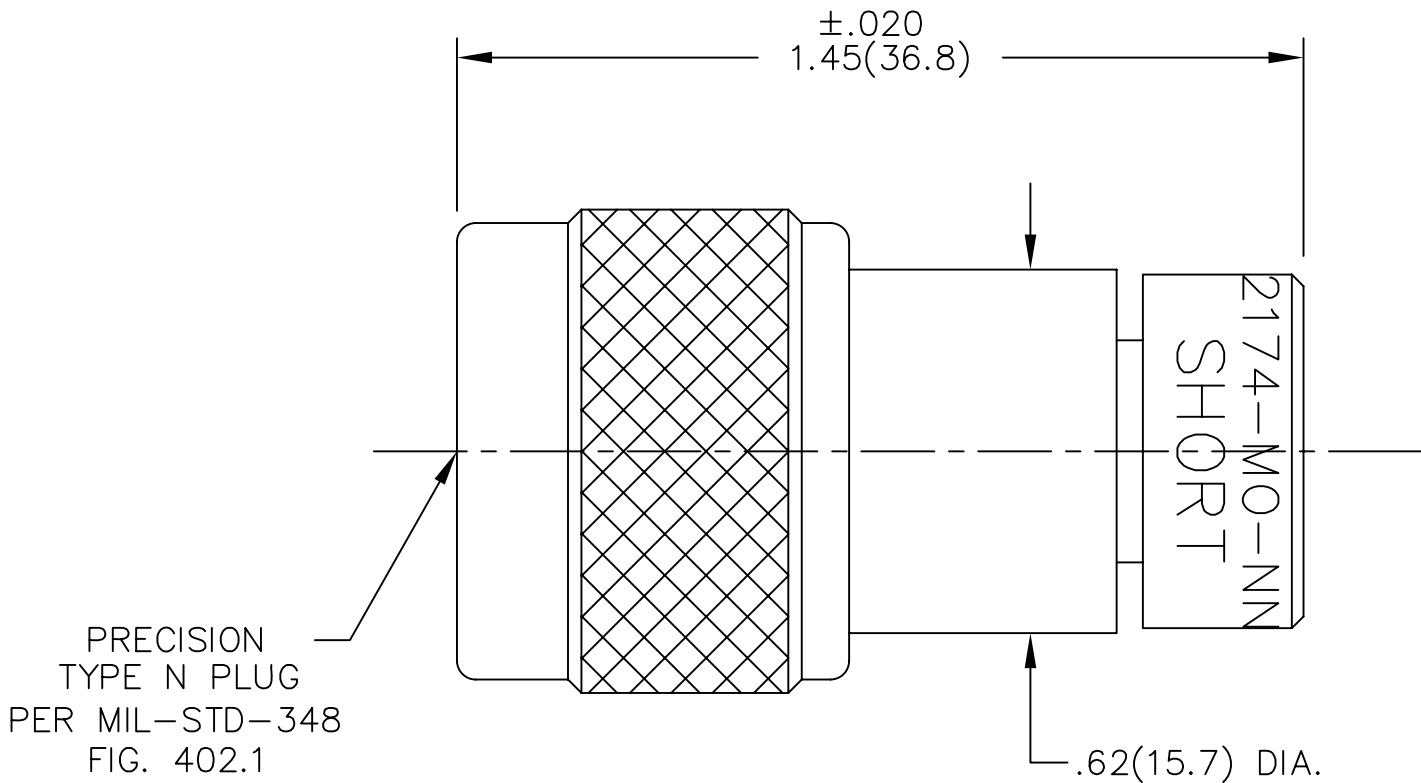
- 2.0 PLATING:
 - 2.1 TERMINATION HOUSING: GOLD PER MIL-G-45204 TYPE I, GRADE C, CLASS 0.
 - 2.2 CENTER CONTACT: GOLD PER MIL-G-45204, TYPE II, CLASS 2
 - 2.3 COUPLING NUT & MAIN HOUSING: PASSIVATED PER MIL-F-14072 AND QQ-P-35

3.0 MARKING: MARK UNIT AS SHOWN

SHT-2174-MO-NNN-02
SHORT

THE WORD "SHORT" SHOULD BE AS BIG & AS BOLD AS POSSIBLE

4.0 DIMENSIONS IN PARENTHESIS ARE IN MILLIMETERS.



REV.	DESCRIPTION	DATE
-	RELEASED	3/2/92
A	ECN 14208	1/4/95
B	ECN 14348	3/9/95
B1	ADDED TITLEBLOCK	7/21/05

UNLESS OTHERWISE NOTED DIMENSIONS ARE IN INCHES AND TOLERANCES ARE: 3 PLACE DECIMALS ±.005 2 PLACE DECIMALS ±.02 FRACTIONS ±1/64 PARALLELITY: T.I.R. _____ FLATNESS: T.I.R. _____ CONCENTRICITY: T.I.R. _____ ANGLES AND PERPENDICULARITY: ±1°	FSCM NO. 34078	MIDWEST MICROWAVE	
	NOTICE: The information contained in this drawing is proprietary and must not be used without the permission of Midwest Microwave		TITLE TYPE N PLUG SHORT CIRCUIT TERMINATION
	DRAWN/DATE A.BEATTY 2/26/92	ENG./DATE G.KOZAK 3/2/92	DRAWING NUMBER SHT-2174-MO-NNN-02
	CHECKED/DATE A.BEATTY 2/26/92	APPROVED/DATE	SCALE: 3=1 SHEET 1 of 1