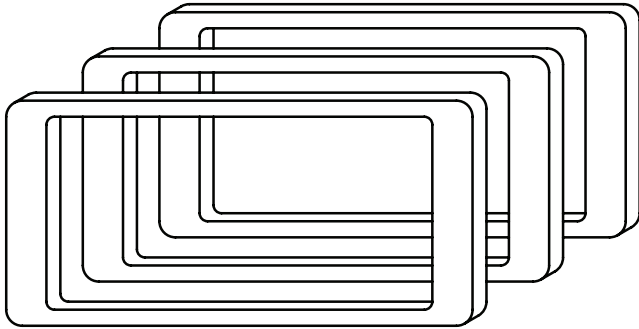
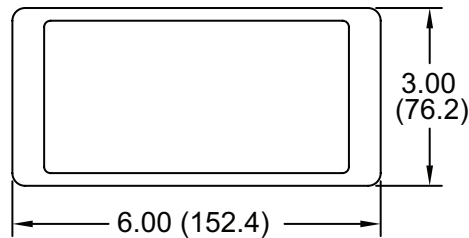


GEMINI SERIES PANEL ADAPTER KIT FOR DIN PANEL CUT-OUTS

The Gemini Series panel adapter kit permits the mounting of the Gemini unit to an existing 68 mm x 138 mm DIN standard panel cut-out. The kit consists of two metal adapter plates coated with a durable flat black polyurethane finish, and a neoprene gasket, which provides a sealed front panel that meets NEMA 4/IP65 specifications when properly installed.

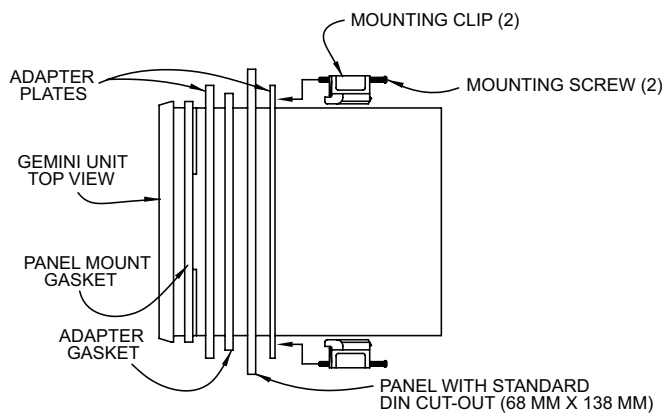


DIMENSIONS In inches (mm)



Note:
 An overall panel area of 3" x 6" is required for proper mounting.

INSTALLATION



1. Remove the backing from the adhesive side of the adapter gasket (*included with adapter kit*) and carefully stick the gasket to the front of the existing panel cut-out.
2. Apply the standard panel mount gasket (*provided with the Gemini unit*) to one of the adapter plates and slide the plate over the Gemini unit. (*Gasket side must be facing the bezel.*)
3. Insert the Gemini unit into the panel cut-out from the front and slide the remaining adapter plate over the Gemini unit from the rear.
4. Install the two mounting clips (*provided with the Gemini unit*) as per the instructions in the Gemini manual. Install the screws into the mounting clips and tighten them evenly to apply uniform compression and to provide a water-tight seal.

CAUTION: Only minimum pressure is required to seal the panel. Do **NOT** overtighten the mounting screws.

ORDERING INFORMATION

MODEL NO.	DESCRIPTION	PART NUMBER
PMKG1	3-PIECE KIT permits mounting to existing 2.67" x 5.43" (68 mm x 138 mm) Panel cut-out, O.A. DIM. 3" x 6" (76.2 mm x 152.4 mm)	PMKG1000

Red Lion Controls
 Headquarters
 20 Willow Springs Circle
 York PA 17406
 Tel +1 (717) 767-6511
 Fax +1 (717) 764-0839

Red Lion Controls
 Europe
 Softwareweg 9
 NL - 3821 BN Amersfoort
 Tel +31 (0) 334 723 225
 Fax +31 (0) 334 893 793

Red Lion Controls
 India
 201-B, 2nd Floor, Park Centra
 Opp 32 Mile Stone, Sector-30
 Gurgaon-122002 Haryana, India
 Tel +91 984 487 0503

Red Lion Controls
 China
 Unit 1102, XinMao Plaza
 Building 9, No.99 Tianzhou Road
 ShangHai, P.R. China 200223
 Tel +86 21 6113 3688
 Fax +86 21 6113 3683