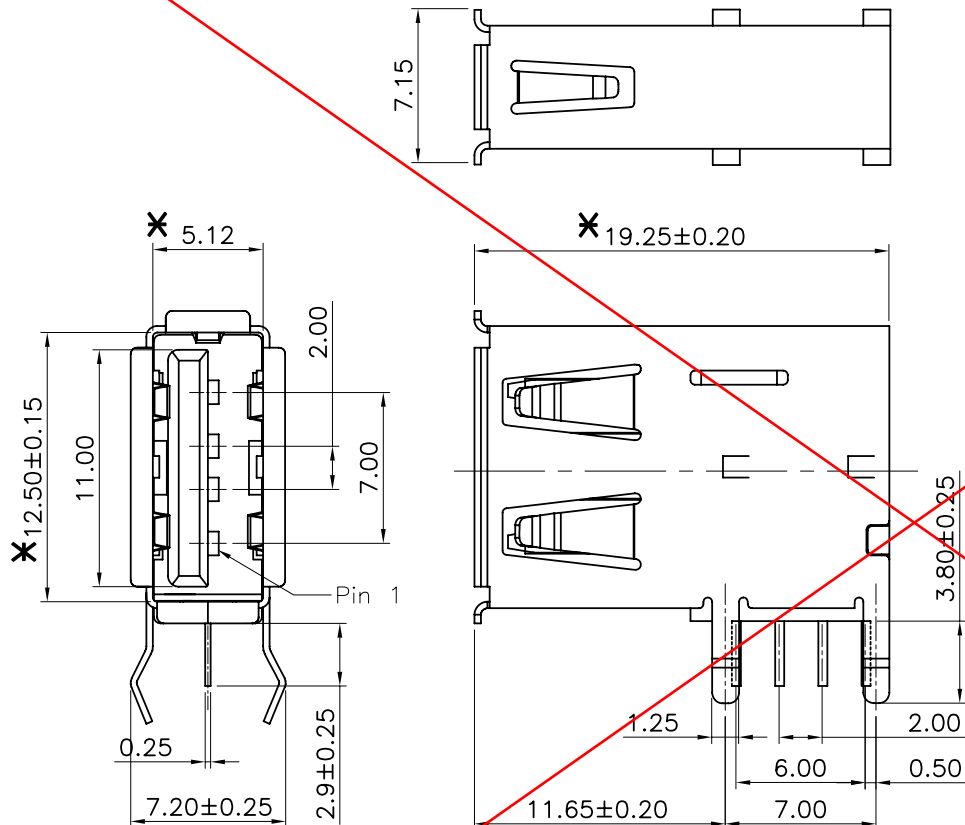
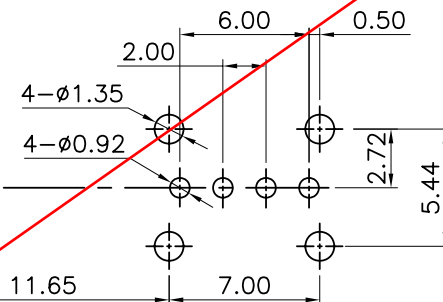


OBSOLETEProfile of
Conector

SPECIFICATIONS:

MATERIAL:-

MOULDING: PBT+30%GF, UL94V-0

CONTACT: PHOSPHOR BRONZE

SHELL: BRASS

FINISH:-

CONTACT: GOLD ON MATING END

TIN ON SOLDERING LEADS

SHELL: NICKEL

ELECTRICAL:-

CURRENT RATING: 1.0 A

VOLTAGE RATING: 30V AC/DC

DIELECTRIC WITSTANDING VOLTAGE: 500V AC/MINUTE

CONTACT RESISTANCE: 30 mΩ MAX.

INSULATION RESISTANCE: 1000 MΩ MIN.

ENVIRONMENTAL:-

TEMPERATURE RANGE: $-55^{\circ}\text{C} \sim +85^{\circ}\text{C}$

Recommended PCB Layout

Tolerance: ± 0.05

NOTES: ALL DIMENSIONS AND NOTES
 MARKED * ARE CRITICAL AND
 MUST BE CHECKED IN ACCORDANCE
 WITH QUALITY DOC. Q1-02A

Allan	3	22.12.09	A254
Allan	2	07.12.09	A250
Allan	1	01.08.06	-

NAME	ISS.	DATE	C/NOTE
------	------	------	--------

APPROVED: *Paul*

CHECKED:

DRAWN: Allan

CUSTOMER REF.:

ASSEMBLY DRG:

HARWIN

HARWIN USA
 TEL: 603 893 5376
 FAX: 603 893 5396
 mis@harwin.com

HARWIN Europe (UK)
 TEL: 023 9231 4545
 FAX: 023 9231 4590
 mis@harwin.co.uk

HARWIN Asia
 TEL: +65 6 779 4909
 FAX: +65 6 779 3868
 mis@harwin.com.sg

THIS DRAWING AND ANY
 INFORMATION OR DESCRIPTIVE
 MATTER SET OUT HEREON ARE
 CONFIDENTIAL AND COPYRIGHT
 PROPERTY OF THE HARWIN
 GROUP AND MUST NOT BE
 DISCLOSED, LOANED, COPIED
 OR USED FOR MANUFACTURING,
 TENDERING OR FOR ANY
 OTHER PURPOSE WITHOUT
 THEIR WRITTEN PERMISSION.

TOLERANCES

X. = $\pm 1\text{mm}$
 X.X = $\pm 0.20\text{mm}$
 X.XX = $\pm 0.15\text{mm}$
 X.XXX = $\pm 0.05\text{mm}$

ANGLES = $\pm 5^{\circ}$

UNLESS STATED

MATERIAL:

SEE NOTES

FINISH: SEE NOTES

S/AREA: mm²

TITLE:

USB A TYPE FEMALE DIP UPRIGHT

DRAWING NUMBER:

M701-250442

SHT
1
OF
1