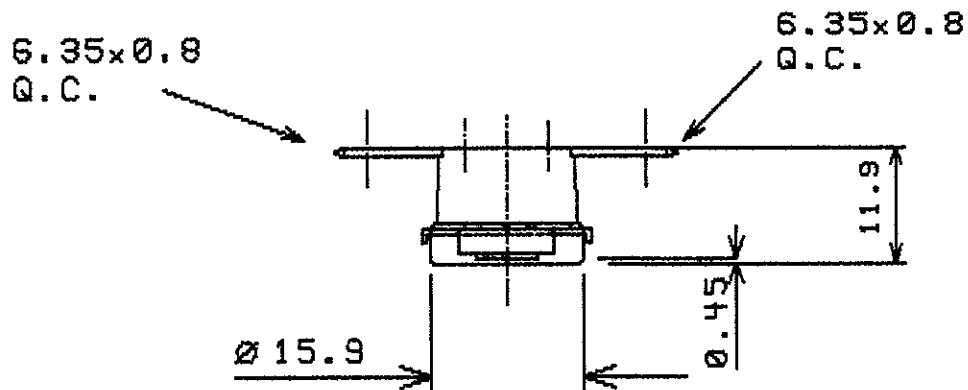
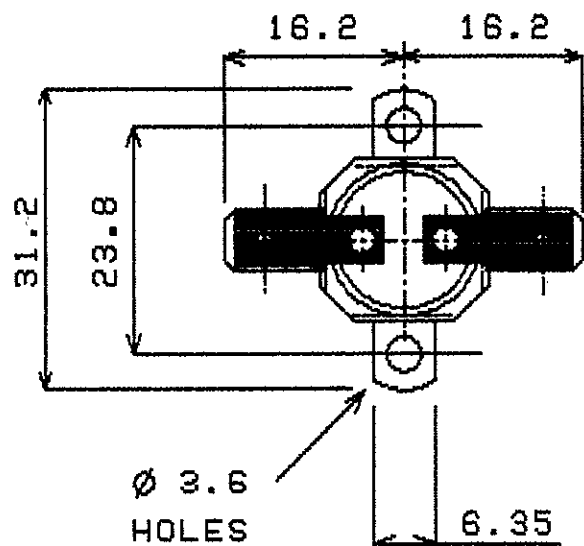


DO NOT SCALE ALL DIMENSIONS ARE FOR REFERENCE ONLY



OPERATING CRITERIA

VOLTS; 240 AMPS; 10 HZ;

OPERATING TEMPS. DEG.C

OPEN; 75 ± 3
CLOSE; 90 ± 5

NOTE: ORIENTATION OF BRACKET IS NOT FIXED

ISSUE	A	B							
MOD No	2052	2259							
MTH/YR	3/97	7/98							

CODING REQUIREMENTS

COLOUR; LASER CODE
F90C RP 9100 445XXX

(XXX = DATE CODING)

CAP; 5200 MAT'L; ALUMINIUM
BRK'T; B2036 MAT'L; STEEL
..... PLATING; NICKEL

TERMINAL; T146 T146
MATERIAL; BRASS BRASS
PLATING;

ELMWOOD DEVICE & UNIQUE PART No.	ELMWOOD DRG No.	ISSUE
2455RP-9100-445	965213	B



ELMWOOD
SENSORS LTD

DATE OF ISSUE STAMP

7 JUL 1998