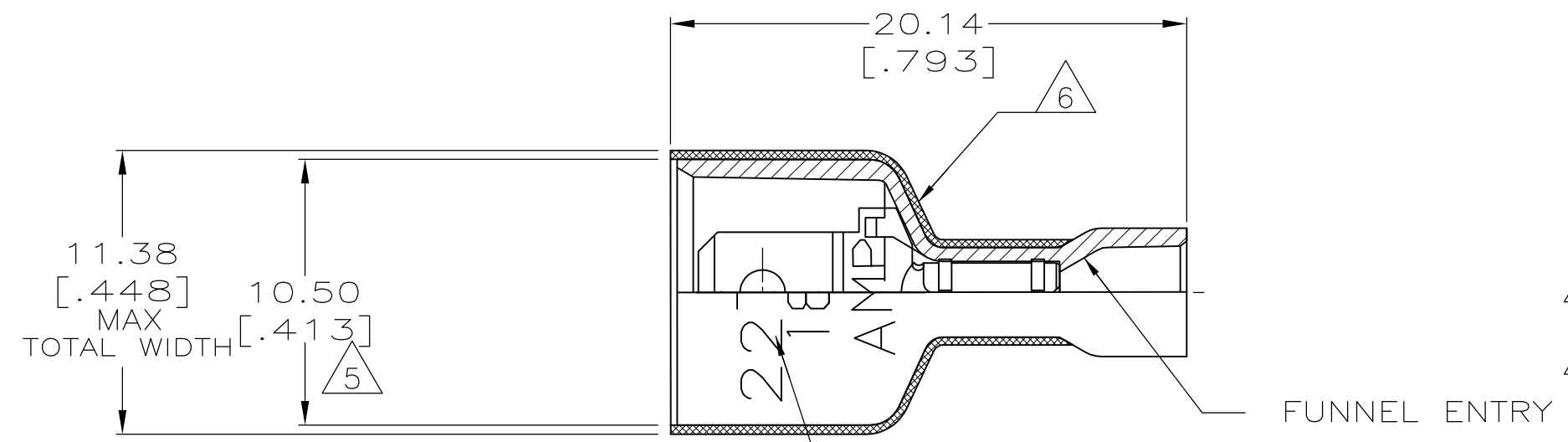
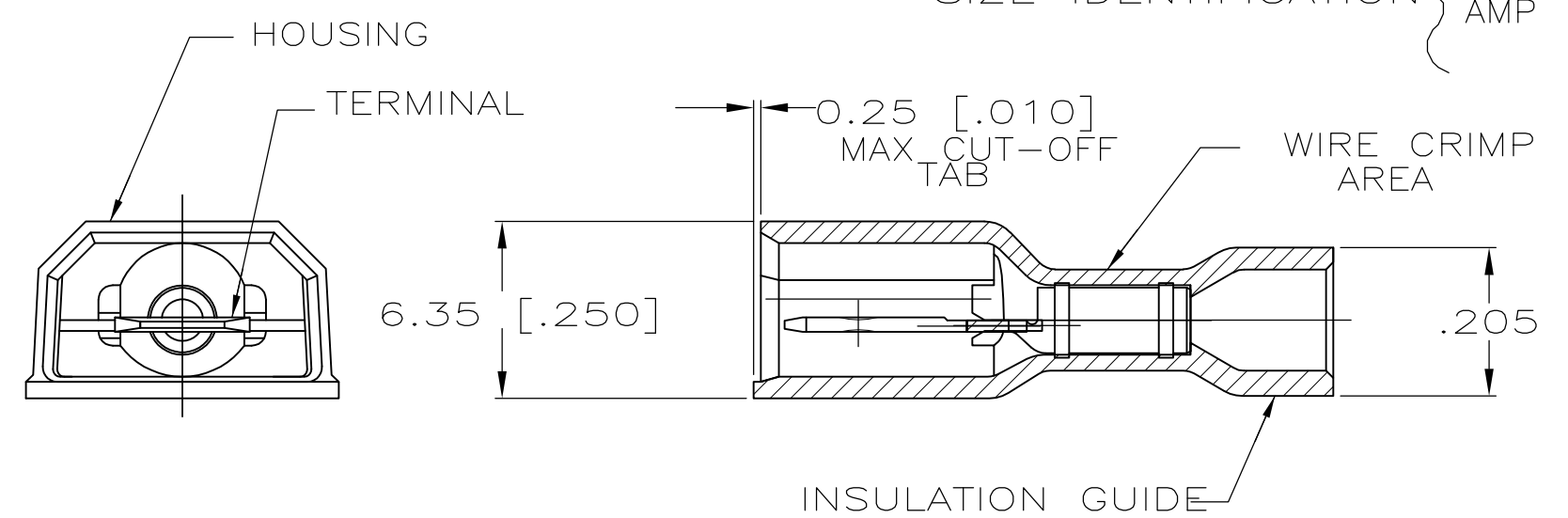


THIS DRAWING IS UNPUBLISHED. RELEASED FOR PUBLICATION
 © COPYRIGHT - By - ALL RIGHTS RESERVED.

LOC	DIST	REVISIONS					
		P	LTR	DESCRIPTION	DATE	DWN	APVD
AF	50		B	REVISED PER ECR-12-005303	24JUL12	KH	KR



- 1 TAB DIMENSIONS .020±.001x.187
- 2 WIRE STRIP LENGTH .281
- 3 INSULATION SIZE .135 MAX DIA
- 4 SUPPLIED IN LOOSE PIECE
- △5 DIMENSION DOES NOT INCLUDE TRIM BURR
- △6 0.38[.015] MAX CARRIER TRIM BURR PER SIDE IS ALLOWABLE IN THE SHADED AREA



HOUSING: NYLON, COLOR-RED TRANSLUCENT TAB: #3 HARD BRASS, TIN	2-521103-2
MATERIAL & FINISH	PART NO

THIS DRAWING IS A CONTROLLED DOCUMENT.		DWN	JR RUTH	9/25/95	STE TE Connectivity
DIMENSIONS: mm [INCHES]		CHK	MS FEHER	9/25/95	
TOLERANCES UNLESS OTHERWISE SPECIFIED:		APVD	J WORMAN	9/25/95	
0 PLC ± - 1 PLC ± - 2 PLC ± 0.38 [.015] 3 PLC ± - 4 PLC ± - ANGLES ± -		PRODUCT SPEC		NAME	
MATERIAL SEE TABLE		FINISH SEE TABLE		108-2017	
		APPLICATION SPEC		114-2123	
		WEIGHT		-	
		SIZE	A3	CAGE CODE	00779
		DRAWING NO		C-521103	
		RESTRICTED TO		-	
		CUSTOMER DRAWING		SCALE	4:1
		SHEET		1 OF 1	
		REV		B	