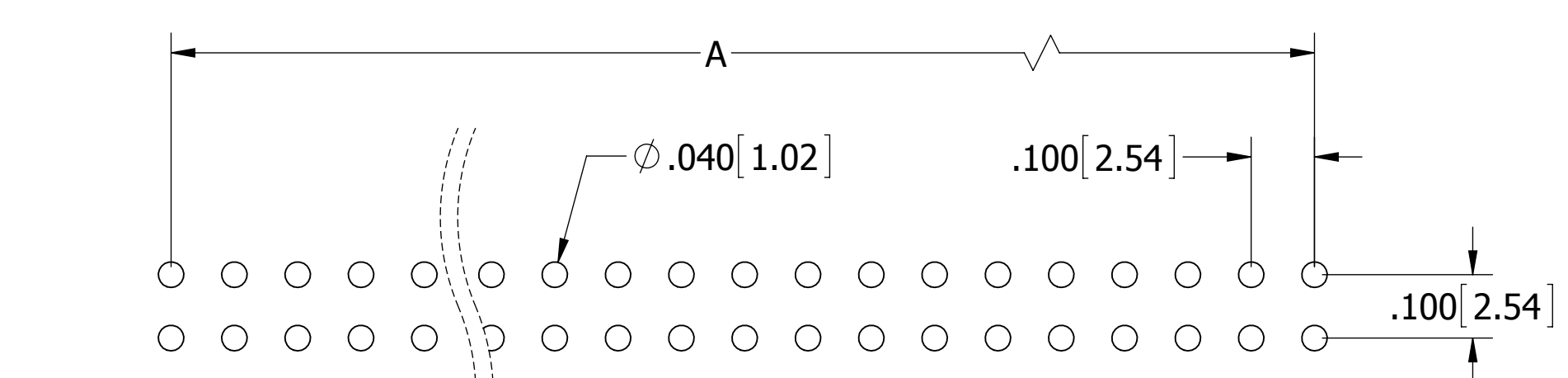
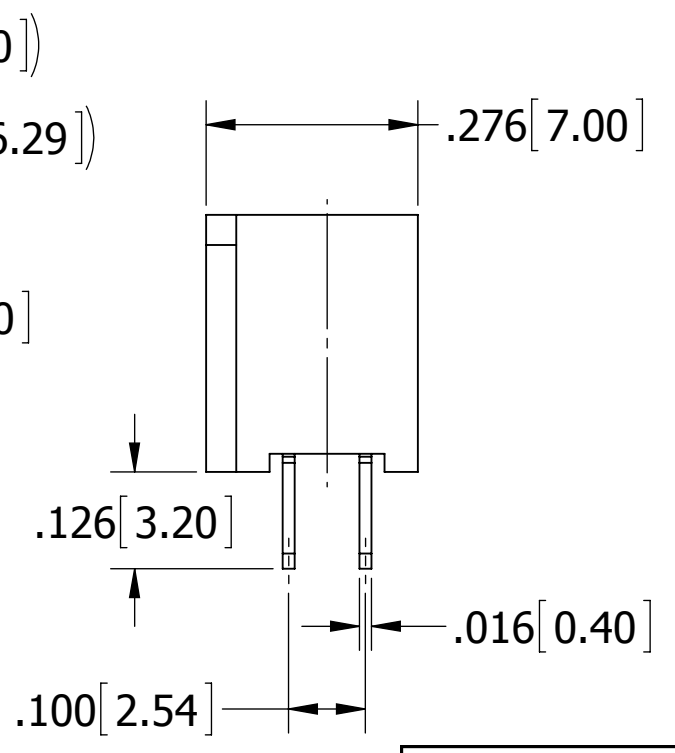
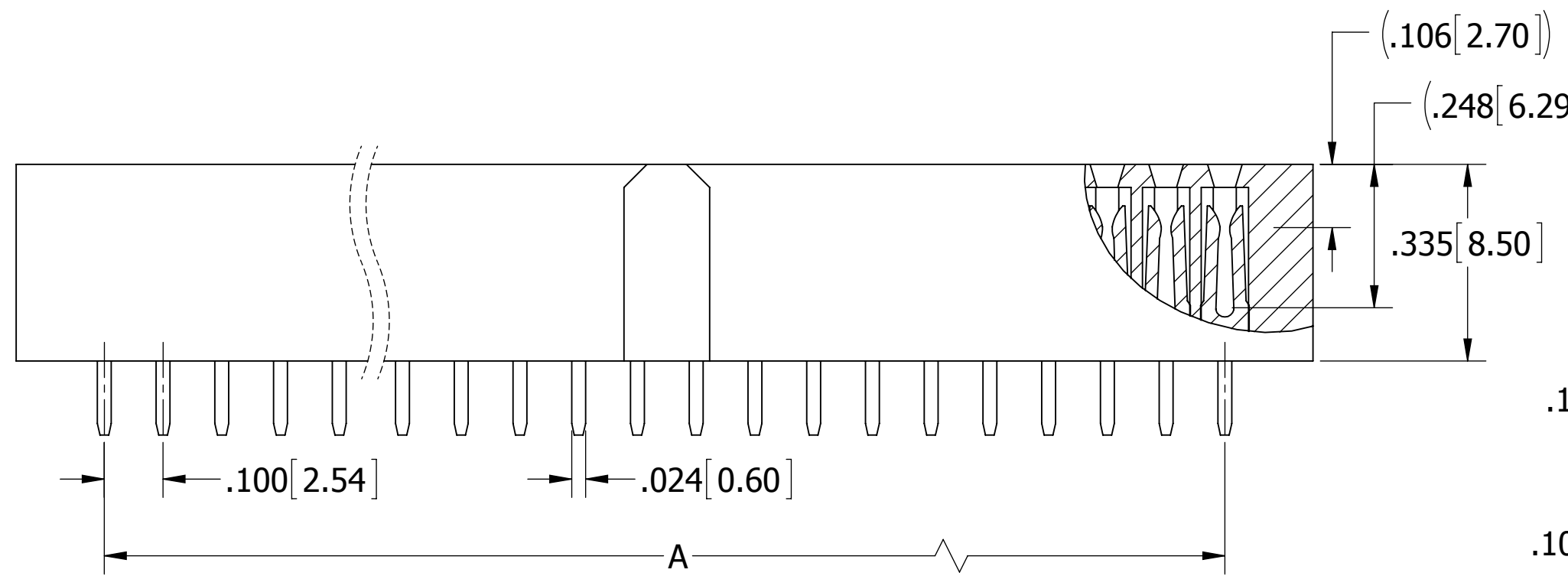
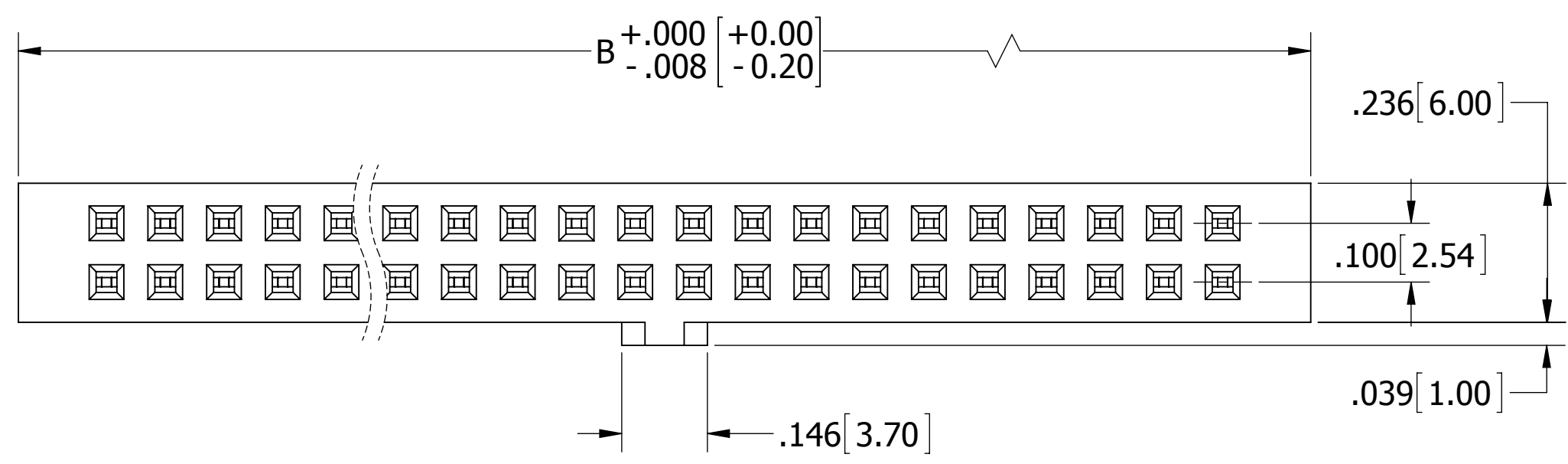
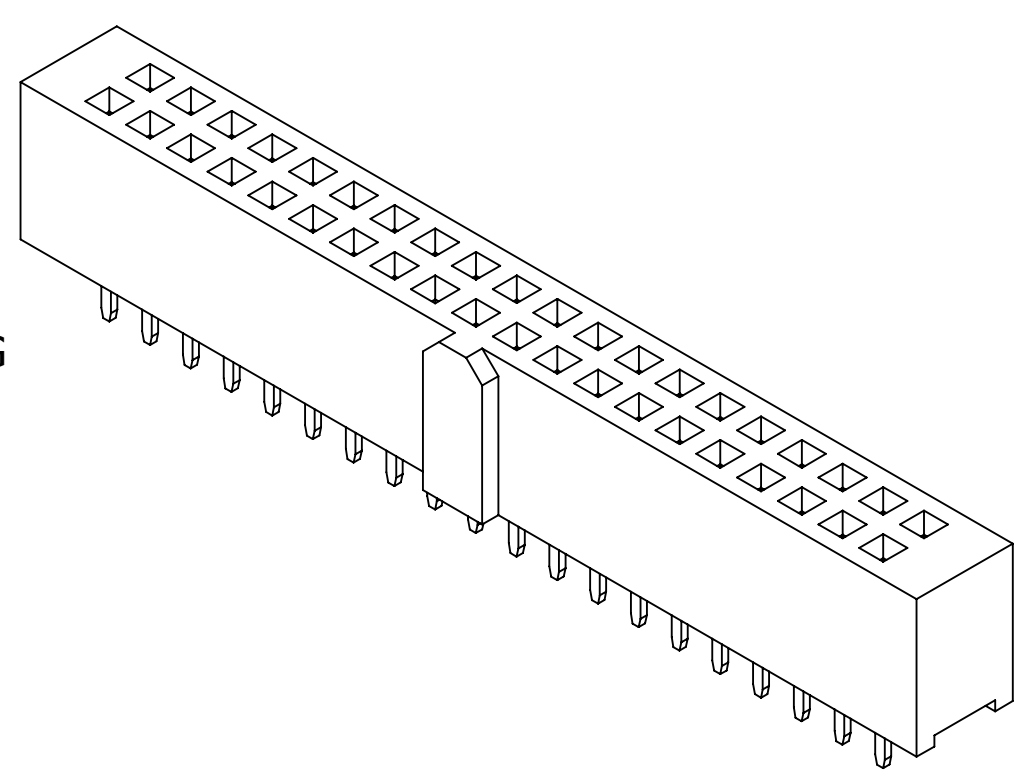


| REVISIONS | | | | |
|-----------|---------|---|------------|-------|
| REV. | ECO. NO | DESCRIPTION | DATE | BY |
| F | 2915 | ADD 'N' MATERIAL OPTION & UPDATE NOTES | 2/6/2014 | NC |
| G | 2835 | UPGRADE INSULATOR MATERIAL NYLON 9T(WAS NYLON 6T) | 04/07/2014 | LH |
| H | 3004 | UPDATE TOLERANCE FOR 'B' DIMENSION | 06/27/2014 | LH |
| J | 3219 | UPDATE INSULATOR COLOR OPTIONS, ADD ROW SPACING DIM | 05/12/2015 | LH/MG |



RECOMMENDED PCB LAYOUT



PART NUMBER CODING

SFH11- C-D -ST- BK

NUMBER OF POSITIONS

(CONTACTS PER ROW)

PLATING

(.000030"~.000050" NICKEL UNDERPLATED)

P = GOLD FLASH OVERALL

E = .000100" PURE TIN, MATTE, OVERALL

CONTACT MATERIAL

P = PHOSPHOR BRONZE

B = BRASS

INSULATOR MATERIAL

P = PBT

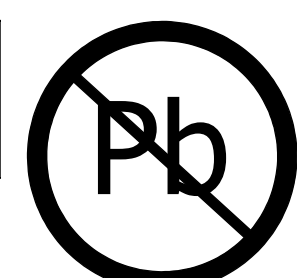
PROCESSING TEMP = WAVE ONLY

N = NYLON 9T

PROCESSING TEMP = 230°C MAX FOR 60 SEC
(260°C MAX FOR 10 SEC)

| PART NUMBER | POSITIONS/ CONTACTS | A | | B | |
|---------------------|------------------------|-------|-------|-------|-------|
| | | INCH | MM | INCH | MM |
| SFH11-__C-D03-ST-BK | 03/06 | 0.200 | 5.08 | 0.500 | 12.70 |
| SFH11-__C-D04-ST-BK | 04/08 | 0.300 | 7.62 | 0.600 | 15.24 |
| SFH11-__C-D05-ST-BK | 05/10 | 0.400 | 10.16 | 0.700 | 17.78 |
| SFH11-__C-D06-ST-BK | 06/12 | 0.500 | 12.70 | 0.800 | 20.32 |
| SFH11-__C-D07-ST-BK | 07/14 | 0.600 | 15.24 | 0.900 | 22.86 |
| SFH11-__C-D08-ST-BK | 08/16 | 0.700 | 17.78 | 1.000 | 25.40 |
| SFH11-__C-D10-ST-BK | 10/20 | 0.900 | 22.86 | 1.200 | 30.48 |
| SFH11-__C-D12-ST-BK | 12/24 | 1.100 | 27.94 | 1.400 | 35.56 |
| SFH11-__C-D13-ST-BK | 13/26 | 1.200 | 30.48 | 1.500 | 38.10 |
| SFH11-__C-D15-ST-BK | 15/30 | 1.400 | 35.56 | 1.700 | 43.18 |
| SFH11-__C-D17-ST-BK | 17/34 | 1.600 | 40.64 | 1.900 | 48.26 |
| SFH11-__C-D20-ST-BK | 20/40 | 1.900 | 48.26 | 2.200 | 55.88 |
| SFH11-__C-D25-ST-BK | 25/50 | 2.400 | 60.96 | 2.700 | 68.58 |
| SFH11-__C-D30-ST-BK | 30/60 | 2.900 | 73.66 | 3.200 | 81.28 |
| SFH11-__C-D32-ST-BK | 32/64 | 3.100 | 78.74 | 3.400 | 86.36 |
| SFH11-__C-D33-ST-BK | 33/66 | 3.200 | 81.28 | 3.500 | 88.90 |
| SFH11-__C-D34-ST-BK | 34/68 | 3.300 | 83.82 | 3.600 | 91.44 |
| SFH11-__C-D35-ST-BK | 35/70 | 3.400 | 86.36 | 3.700 | 93.98 |
| SFH11-__C-D36-ST-BK | 36/72 | 3.500 | 88.90 | 3.800 | 96.52 |

- NOTES:**
- INSULATOR MATERIAL: SEE PART NUMBER CODING
 - CONTACT MATERIAL: SEE PART NUMBER CODING
 - PLATING: SEE PART NUMBER CODING
 - CONTACT RESISTANCE: 20m OHMS MAX.
 - OPERATING TEMPERATURE: -40°C TO +105°C
 - UL FLAMMABILITY RATING: 94V-0
 - CURRENT RATING: 3 AMPS
 - INSULATOR RESISTANCE: 5000M OHMS MIN.
 - DIELECTRIC WITHSTANDING: 1000 VAC
 - PROCESSING TEMP.: SEE PART NUMBER CODING
 - MATES WITH SBH11 SERIES
 - FOR PCB CONNECTOR



RoHS COMPLIANT

UNLESS OTHERWISE SPECIFIED:
DIMENSIONS ARE IN INCHES (MM)

TOLERANCES:
ANGULAR:
DECIMALS
.XX = ± .012 [3]
.XXX = ± .008 [20]
.XXXX = ± .0040 [100]

| | | | |
|---|-----------|--------------|---|
| DRAWN | DATE | NAME | |
| | 11/3/2008 | JH | |
| <small>THE INFORMATION HEREIN CONTAINS PROPRIETARY INFORMATION OF SULLINS ELECTRONICS AND IS NOT TO BE REPRODUCED, USED OR DISCLOSED TO OTHERS FOR ANY PURPOSE EXCEPT AS SPECIFICALLY AUTHORIZED IN WRITING BY AN OFFICER OF SULLINS ELECTRONICS.</small> | | | TITLE HEADER FEMALE, .100[2.54] CC, ST PART NUMBER SFH11-__C-D__-ST-BK |
| SIZE | CAGE CODE | DWG. NO. | REV |
| C | 54453 | 11160 | J |
| SCALE: 2:1 | | SHEET 1 OF 1 | |