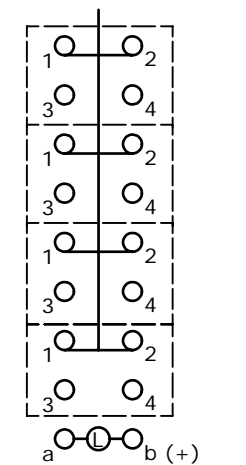
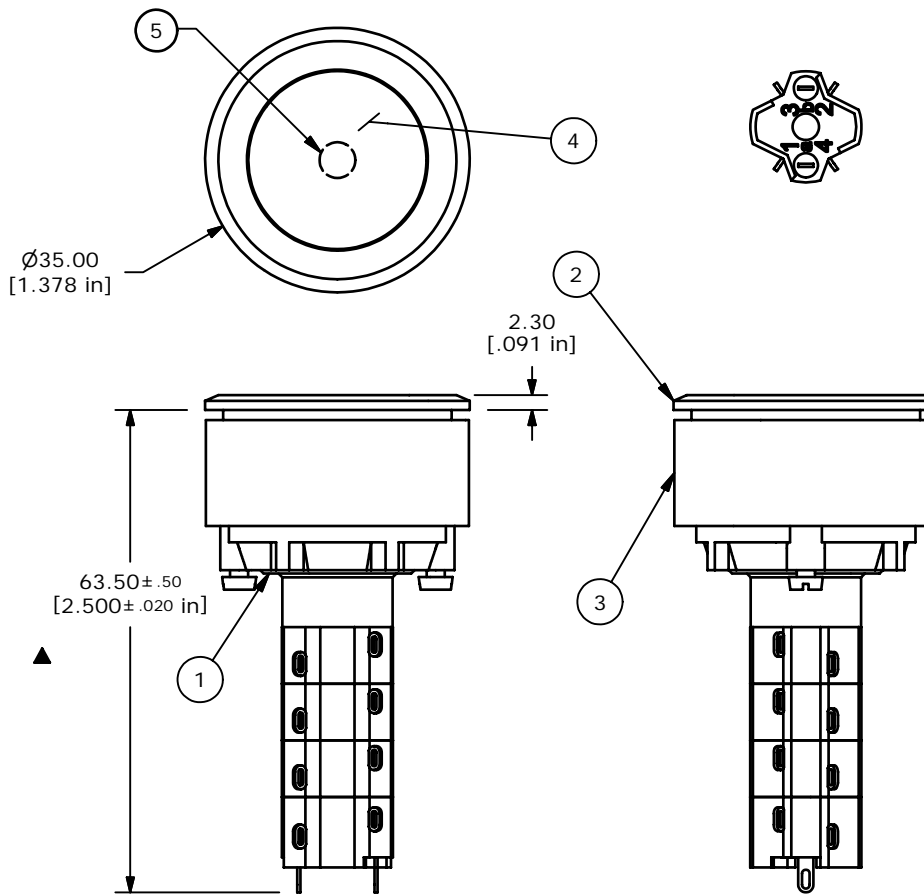


| ▲ Parts List |     |             |                           |  |
|--------------|-----|-------------|---------------------------|--|
| ITEM         | QTY | PART NUMBER | DESCRIPTION               |  |
| 1            | 1   | F060618     | LASEEU14 BODY             |  |
| 2            | 1   | F051706     | 35MM FLUSH MOUNT BEZEL    |  |
| 3            | 1   | F051707     | 35MM FLUSH MOUNT RETAINER |  |
| 4            | 1   | F060298     | 29MM YELLOW LENS OPAQUE   |  |
| 5            | 1   | F050424     | LED 24VDC YELLOW          |  |



▲ CONTACT CONFIGURATION

NOTES:

1. ALL DIMENSIONS IN MM [INCH].
2. GENERAL TOLERANCE: 0.0=± 0.4  
0.00=± 0.25
3. TERM. NOS. FOR REF. ONLY.
4. RATING: 5A @250VAC  
8A @125VAC  
.2A @250VDC  
6A @24VDC
5. INSULATION: 1,000 MΩ MIN.
6. DIELECTRIC STRENGTH: 2000V FOR 1 MIN.
7. SEALED TO IP65.
8. TRAVEL: 3.0MM FULL TRAVEL, 2.0MM LATCH
9. ELECTRICAL LIFE: >50,000 CYCLES
10. OPERATING TEMP: -25C TO +55C
11. PANEL THICKNESS: 0.5MM TO 3.0MM
12. LAMP VOLTAGE: LED, 24VDC YELLOW
13. ▲ DENOTES CRITICAL PARAMETER.
14. 2002/95/EC (ROHS) COMPLIANT



|     |        |                         |         |     |
|-----|--------|-------------------------|---------|-----|
| A   | 18462  | RELEASED FOR PRODUCTION | 3/27/09 | BLR |
| REV | PCR NO | DESCRIPTION             | DATE    | BY  |

|                       |           |     |         |     |
|-----------------------|-----------|-----|---------|-----|
| TITLE LASEEU34KYELYEL |           |     |         |     |
| SCALE                 | DATE      | DR  | DWG     | REV |
| 1 : 1                 | 3/27/2009 | BLR | XF0789P | A   |

THE INFORMATION CONTAINED IN THIS DOCUMENT IS PROPRIETARY TO E-SWITCH AND IS NOT TO BE COPIED OR TRANSFERRED