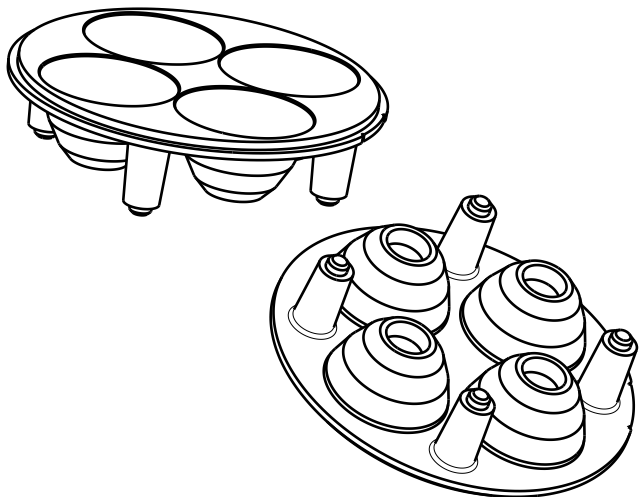


D

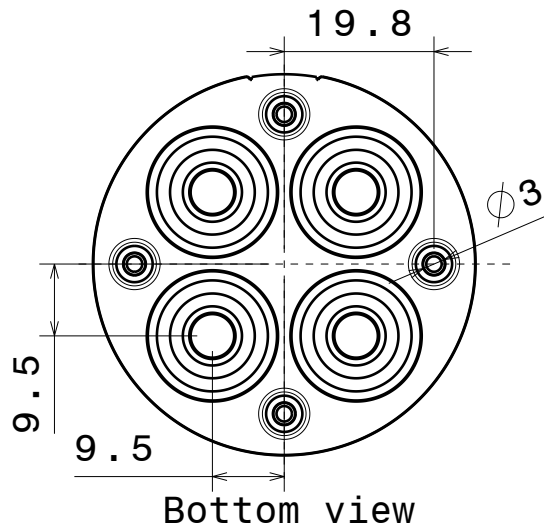
C

B

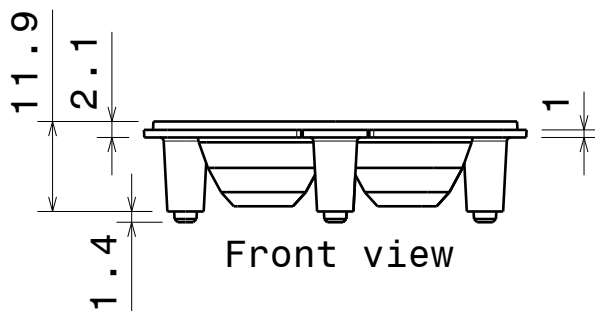
A



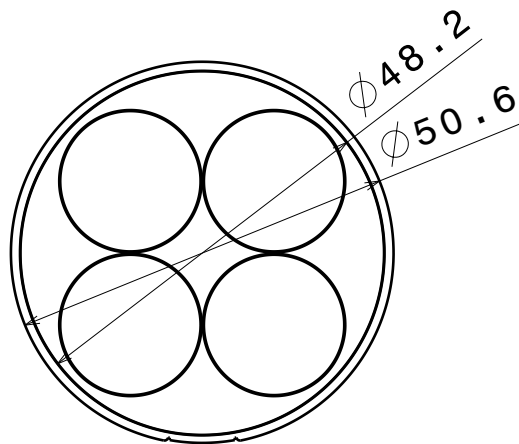
Isometric view



Bottom view



Front view



Top view

Material: PMMA

Tolerances for dimensions:

0-20mm tolerance value  $\pm 0.1\text{mm}$

21-45mm tolerance value  $\pm 0.2\text{mm}$

46-90mm tolerance value  $\pm 0.3\text{mm}$

91-100mm tolerance value  $\pm 0.4\text{mm}$

101-mm tolerance value  $\pm 0.5\text{mm}$

This drawing is our property. It can't be reproduced or communicated without our written agreement.



Ledil Oy  
Salorankatu 10  
FIN 24240 SALO  
Finland

DRAWING TITLE

Datasheet MELODY-4 series

DRAWN BY

mav

DATE

18.04.2012

CHECKED BY

sn

DATE

18.04.2012

SIZE

A4

DRAWING NUMBER

-

REV

1

DESIGNED BY

mav

DATE

06.03.2012

SCALE

1:1

WEIGHT (g)

SHEET

1/1

D

A

4

4

3

3

2

2

1

1