

NOTES:

1. MATERIALS AND FINISHES:  
 BODY, REAR BODY -BRASS, NICKEL PLATING  
 CONTACT - BRASS, GOLD PLATING  
 INSULATOR - PTFE  
 COUPLING NUT- BRASS, NICKEL PLATING  
 CAP- BRASS, NICKEL PLATING  
 FERRULE- COPPER, NICKEL PLATING

2. ELECTRICAL:  
 A. IMPEDANCE: 50 OHM  
 B. FREQUENCY RANGE: DC - 6 GHz  
 C. VSWR(RETURN LOSS): -23 dB MAX

3. MECHANICAL:  
 A. DURABILITY: 500 CYCLES MIN.  
 B. TEMPERATURE RANGE: -65 C TO +165 C

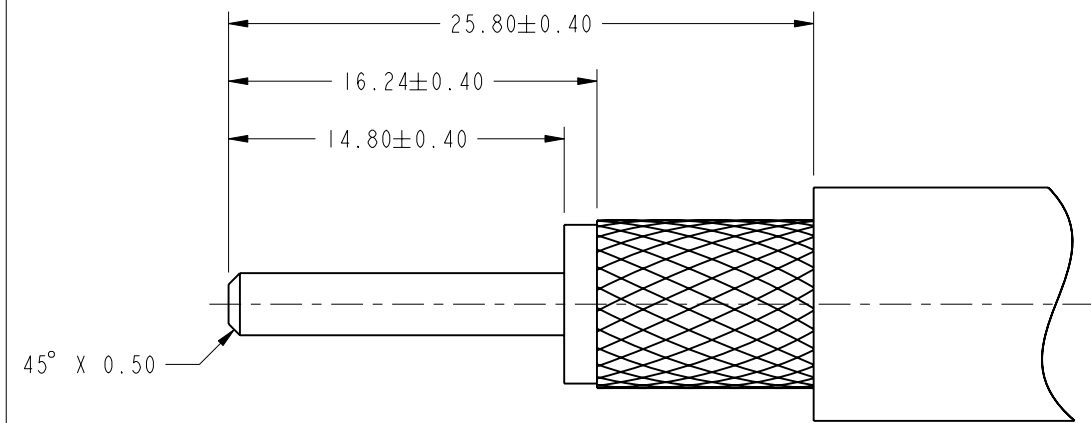
4. PACKAGING:  
 A. QUANTITY: SINGLE PACK  
 B. MARKING: BAG TO BE MARKED  
 "AMPHENOLRF, 82-6489 AND DATE CODE"

5. RECOMMENDED CABLE ASSEMBLY INSTRUCTIONS:  
 A. TRIM CABLE AS SHOWN.  
 B. SLIDE FERRULE AND REAR INSULATOR ONTO CABLE.  
 C. INSERT CABLE WITH FOIL ENTERING CONNECTOR AND BRAID OVER KNURL.  
 D. SOLDER CABLE CENTER CONDUCTOR TO CONTACT.  
 E. CRIMP FERRULE OVER BRAID WITH 0.429" HEX DIE.

6. CAP ASSEMBLY INSTRUCTIONS:  
 A. PLACE O-RING ON CAP AS SHOWN.  
 B. ASSEMBLE CAP TO BODY WITH 6-10 IN-LBS TORQUE.

7. RECOMMENDED COUPLING TORQUE : 6-10 IN-LBS.

8. SHOWS CABLE ENTRY DIMENSIONS.

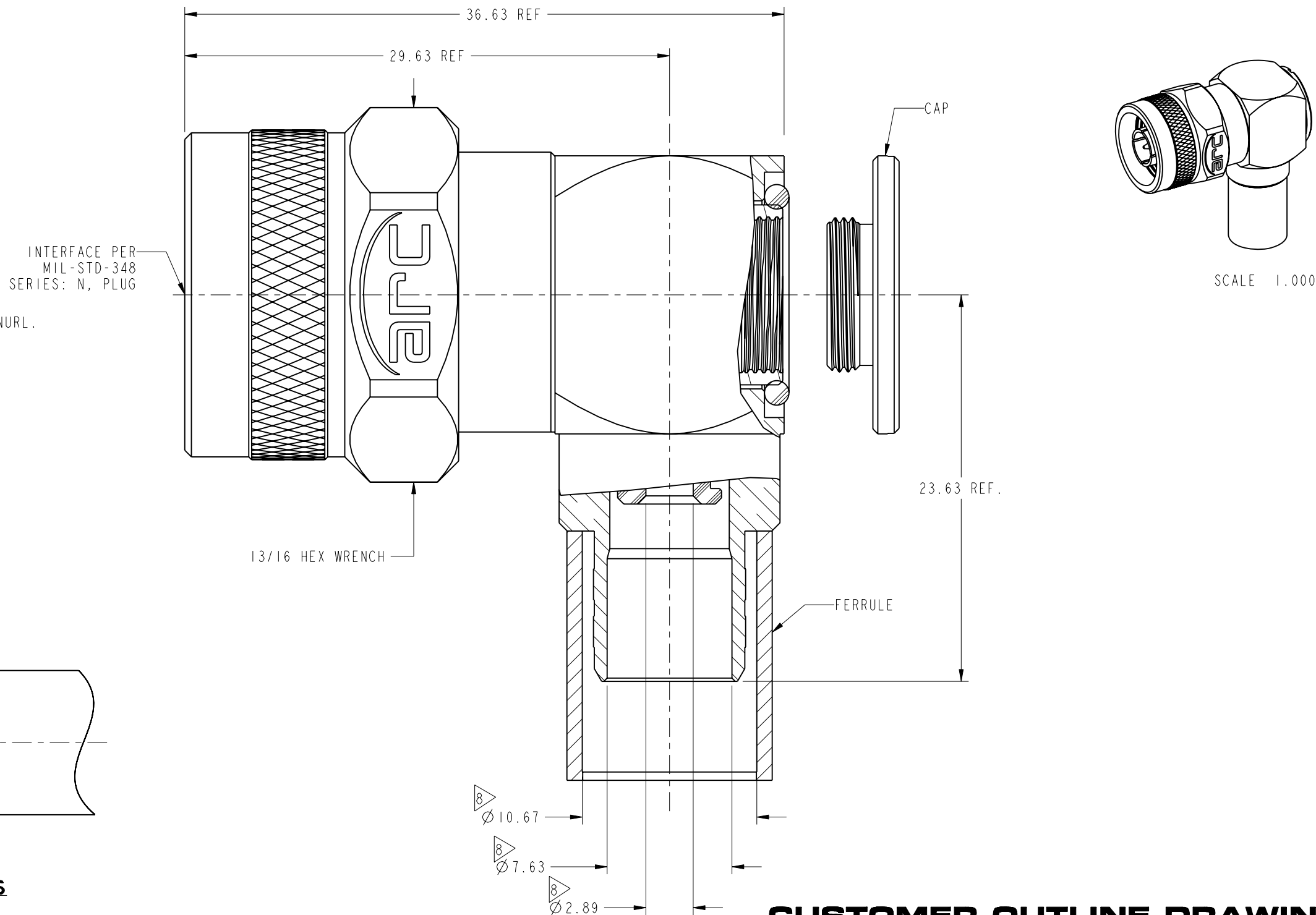


**RECOMMENDED  
CABLE STRIPPING DIMENSIONS**

THIRD ANGLE PROJ.

REVISIONS

REV	DESCRIPTION	DATE	ECO	APPR
A	RELEASE TO MFG	4/26/12	49027	DD
B	ADDED ARC LOGO TO COUPLING NUT\RD-DMI3022001R3	1-Mar-13	49418	RM



**CUSTOMER OUTLINE DRAWING**

ALL OTHER SHEETS ARE FOR INTERNAL USE ONLY

UNLESS OTHERWISE SPECIFIED, DIMENSIONS ARE IN METRIC AND TOLERANCES ARE:  
 < 0.5mm ± 0.05mm    0.5 - 6mm ± 0.1mm    6 - 30mm ± 0.2mm    30 - 120mm ± 0.3mm    ANGLES ± 1°

NOTICE - These drawings, specifications, or other data (1) are, and remain the property of Amphenol corp. (2) must be returned upon request; and (3) are confidential and not to be disclosed to any person other than those to whom they are given by Amphenol Corp. the furnishing of these drawings, specifications, or other data by Amphenol Corp., or to any other person to anyone for any purpose is not to be regarded by implication or otherwise in any manner licensing, granting rights to permitting such holder or any other person to manufacture, use or sell any product, process or design, patented or otherwise, that may in any way be related to or disclosed by said drawings, specifications, or other data.

MATERIAL	SEE NOTES
REFERENCE	EAR # 4180
CONFIGURATION LEVEL:	<input type="checkbox"/> <input type="checkbox"/> <input type="checkbox"/> <input type="checkbox"/>
FINISH	

DRAWN	R. MAO	DATE	27-Feb-13
ENGINEER	KARTHIK R	DATE	28-Mar-12
APPROVED	S. HSIEH	DATE	27-Feb-13
CAD FILE			

TITLE	
N PLUG R/A IP-67 FOR LMR-400-CABLE	
SCALE: 3.5:1.0	SHEET 2 OF 2
DWG SIZE	REV
B	B

Amphenol RF	
Danbury CT USA, Tainan, Taiwan, Shenzhen, China www.amphenolrf.com	
DRAWING NO.	82-6489
ITEM NO.	82-6489
PART NO.	82-6489