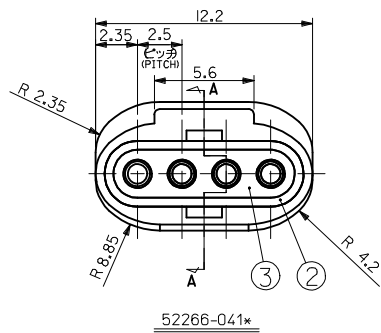
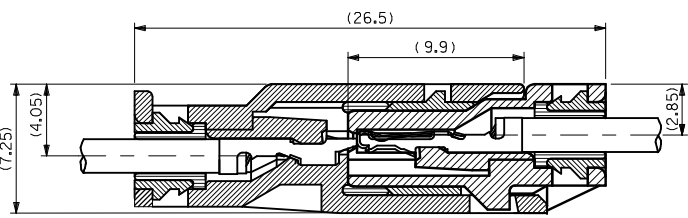
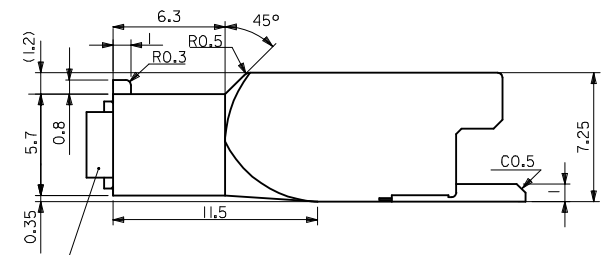


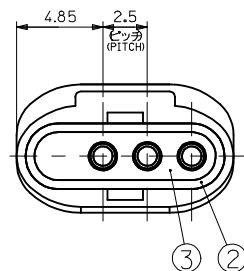
断面A-A (端子装着状態図)  
SECT. A-A (TERM. ASSEMBLY DRAWING)



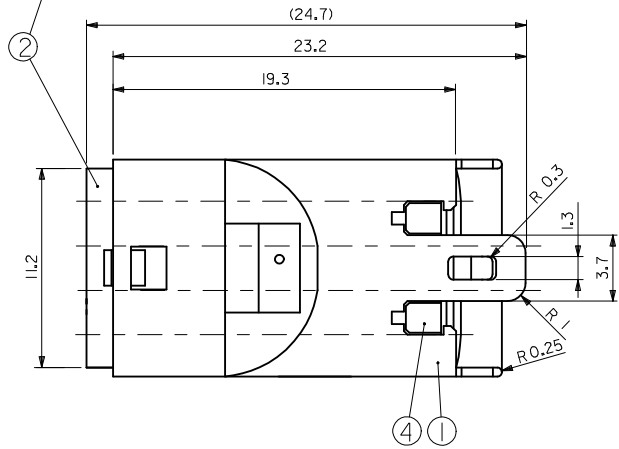
52266-041\*



嵌合状態図  
FULLY MATED CONDITION



52266-0311



注記  
NOTE

- 適合端子: 50147-8\*00  
APPLICABLE TERMINAL: 50147-8\*00
- 嵌合相手: 52213-\*x1\*  
MATES WITH: 52213-\*x1\*
- 製品仕様書: PS-52213-003  
PRODUCT SPECIFICATION: PS-52213-003
- 取扱説明書: AS-52213-001  
APPLICATION SPECIFICATION: AS-52213-001

黒 BLACK	52266-0311	3
茶 BROWN	52266-0417	4
黒 BLACK	52266-0411	4
ハウジングの色 HSG COLOR	製品番号 MATERIAL NO.	極数 No. of Ckt.

材料 MATERIAL	色 COLOR	名称 TITLE	⑤
シリコンゴム SILICONE	青 BLUE	SEAL	⑤
ポリエステル (15%G.F.) POLYESTER (15%G.F.)	灰 GRAY	SEAL STOPPER	④
シリコンゴム SILICONE	青 BLUE	WIRE END SEAL	③
ポリエステル (15%G.F.) POLYESTER (15%G.F.)	灰 GRAY	CAP	②
ポリエステル (15%G.F.) POLYESTER (15%G.F.)	表参照 SEE CHART	PLUG HOUSING	①

構成部品  
COMPONENTS

REVISED	DESCRIPTION
EC NO: JTR2017-0006	2016/08/04
DRWN:YFUSHIMI	2016/08/04
CHKD:TAITO	2016/08/04
APPR:MIYAMOTO	2016/08/16
B2	

QUALITY SYMBOLS	GENERAL TOLERANCES (UNLESS SPECIFIED)
▽=0	10 UNDER ±0.2
▽=0	10 OVER 30 UNDER ±0.25
▽=0	30 OVER ±0.3
	ANGULAR ±3°
	DRAFT WHERE APPLICABLE MUST REMAIN WITHIN DIMENSIONS

DIMENSION STYLE	
MM ONLY	
DRAWN BY	DATE
M. SANO	1991/07/17
CHECKED BY	DATE
M. SAKANO	1993/11/09
APPROVED BY	DATE
MENOMOTO	1993/11/09
MATERIAL NO.	DOCUMENT NO.
SEE CHART	

SCALE	5:1
DESIGN UNITS	METRIC
THIRD ANGLE PROJECTION	
2.5 MINI WATERPROOF CONN PLUG HSG ASSY (3 AND 4 Ckt.)	
<b>molex</b>	
SD-52266-002	
SIZE	A2
THIS DRAWING CONTAINS INFORMATION THAT IS PROPRIETARY TO MOLEX INCORPORATED AND SHOULD NOT BE USED WITHOUT WRITTEN PERMISSION	
SHEET NO.	1 OF 1