

DWG. NO.	032-8149		
REVISIONS			
SYM.	E.C.N.	DATE	APVD.
A	24309	8/17/00	
REVISED & UPDATED			
B	24347	8/23/00	
REVISED & UPDATED			

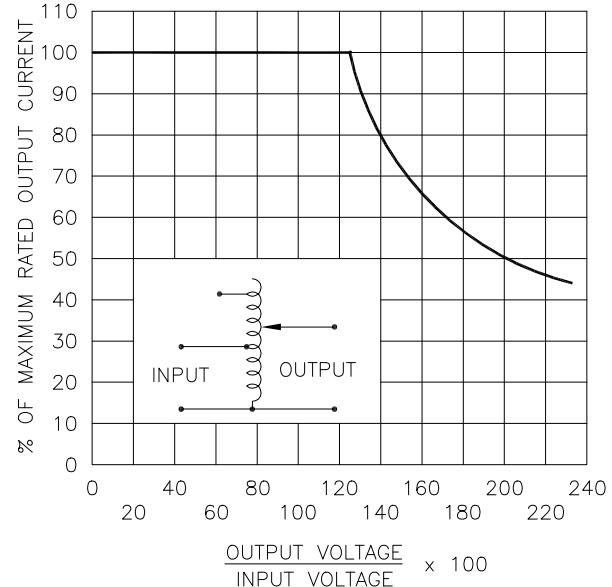
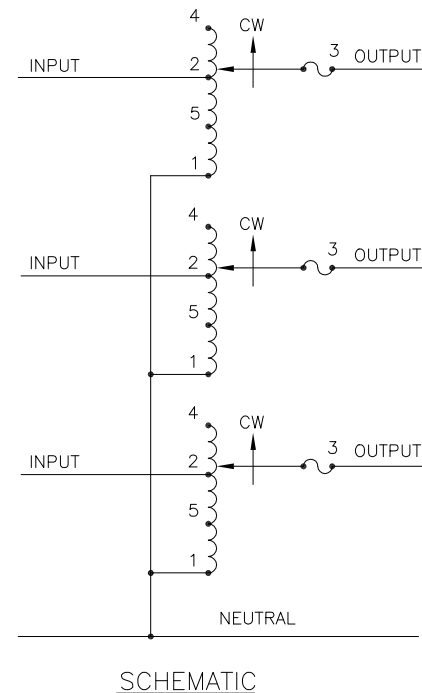
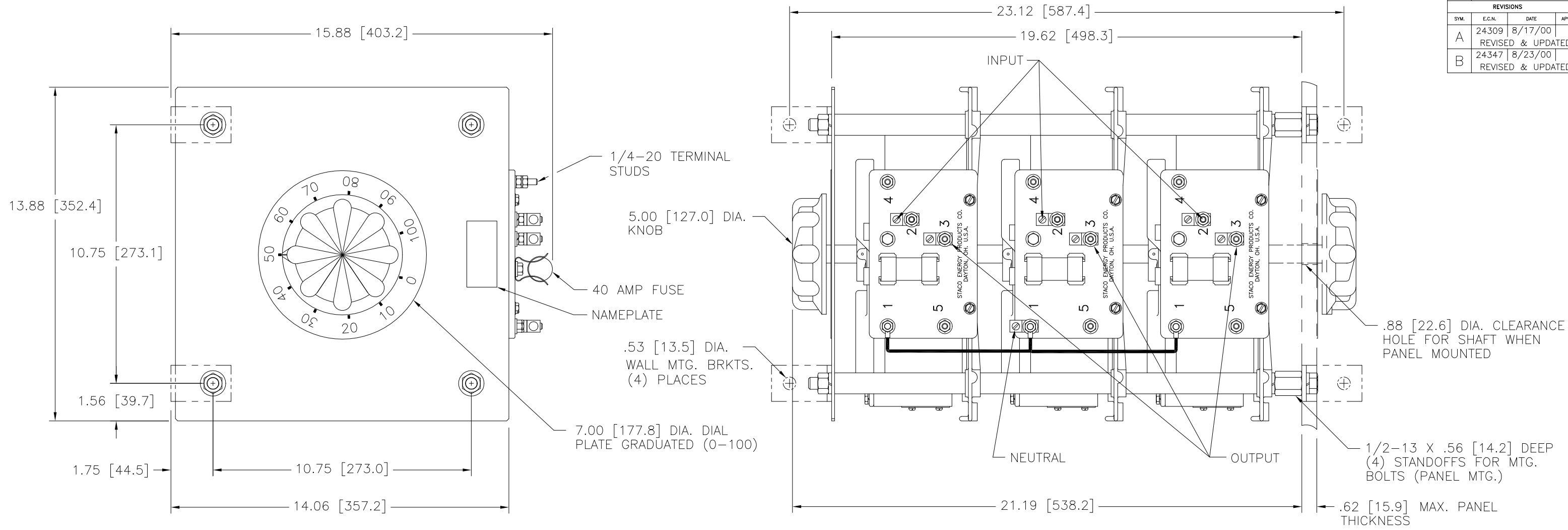


FIGURE A
MAXIMUM OUTPUT CURRENT OF ANY DUAL INPUT VOLTAGE OR VOLTAGE DOUBLER UNIT OPERATED AT LOWER INPUT VOLTAGE.

* MAXIMUM OUTPUT CURRENT IN OUTPUT VOLTAGE RANGE FROM 0 TO 25% ABOVE LINE VOLTAGE. AT HIGHER OUTPUT VOLTAGES, OUTPUT CURRENT MUST BE REDUCED ACCORDING TO RATING CURVE, FIGURE A.

++ MAXIMUM KVA AT MAXIMUM OUTPUT AND CORRESPONDING DE-RATED CURRENT. MAXIMUM KVA AT LOWER OUTPUT VOLTAGES MAY BE CALCULATED FROM RATING CURVE, FIGURE A.

V.D. = VOLTAGE DOUBLER.

SPECIFICATIONS									
WIRING	INPUT		OUTPUT			SHAFT ROTATION TO INCREASE VOLTAGE	TERMINAL CONNECTIONS FOR INCREASING VOLTAGE AS VIEWED FROM ROTOR END		
	VOLTS	HERTZ	VOLTS	MAX. AMPS	MAX. KVA		INPUT	JUMPER	OUTPUT
THREE PHASE WYE	480	50/60	0-480	35	29.1	CW	4-4-4	—	3-3-3
		60	0-560	35	33.9	CW	2-2-2	—	3-3-3
	240	60	0-560	35*15 V.D.	14.5**	CW	5-5-5	—	3-3-3

UNLESS OTHERWISE SPECIFIED, TOLERANCE IS # DECIMALS .XX .004-.006 .XXX .000

Holes .002

ANGLES 1°

DRAFT 1-1/2°

UNITS IN [mm]

MATERIAL:

ALL DIMENSIONS APPLY AFTER PLATING

TITLE: SPEC. CONTROL DWG. VARIABLE TRANSFORMER TYPE: 6020-3Y

DRAWN BY: TIM RAU

DATE: 12/19/95

CHECKER:

ENGINEER:

DATE:

FIRST USED ON:

DO NOT SCALE DWG.

CUSTOMER APPROVAL:

DATE:

WEIGHT APPROX. 240 LBS

CODE IDENT. NO. 83008

DWG. NO. 032-8149

SCALE .5=1

SHEET 1 OF 1

