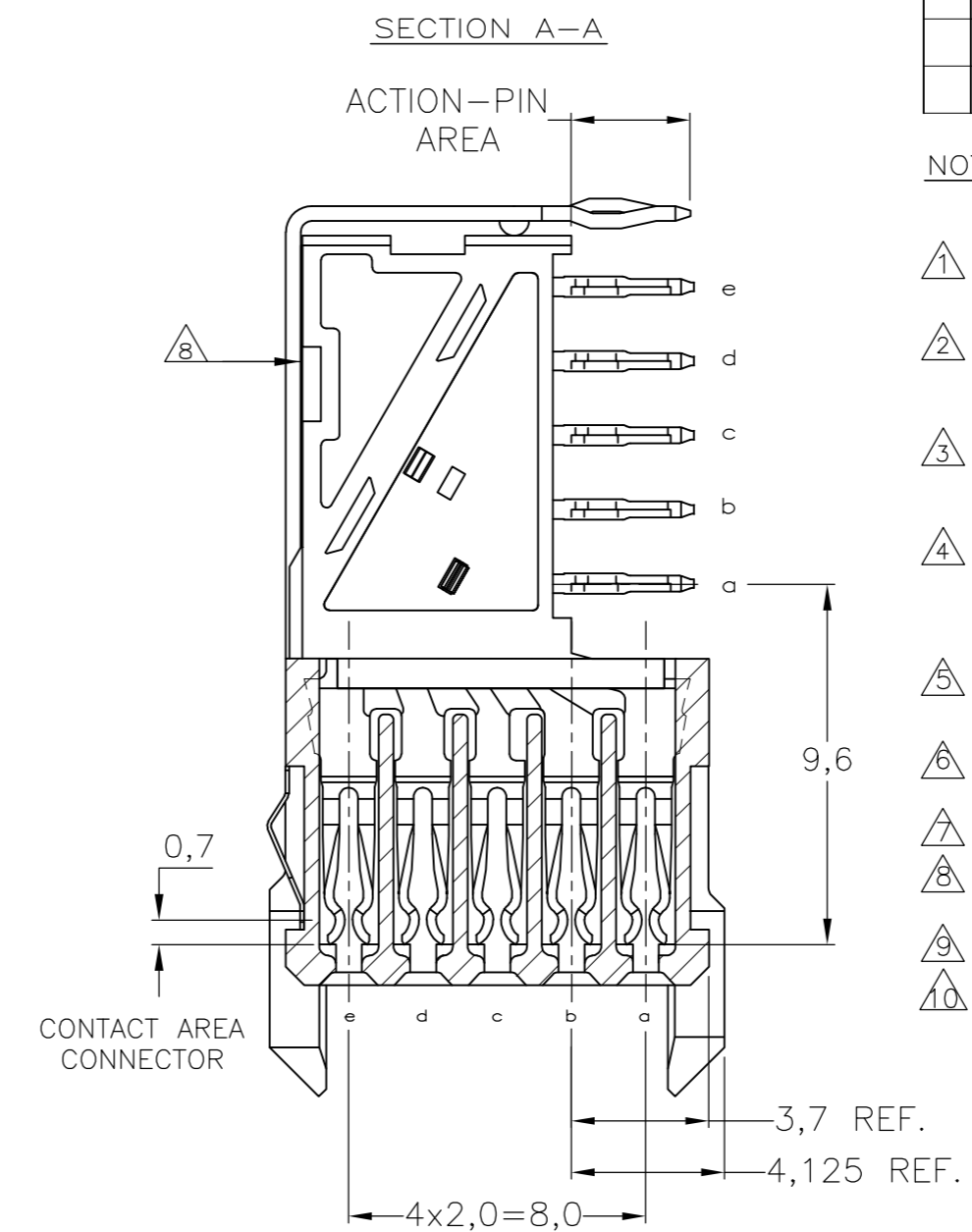
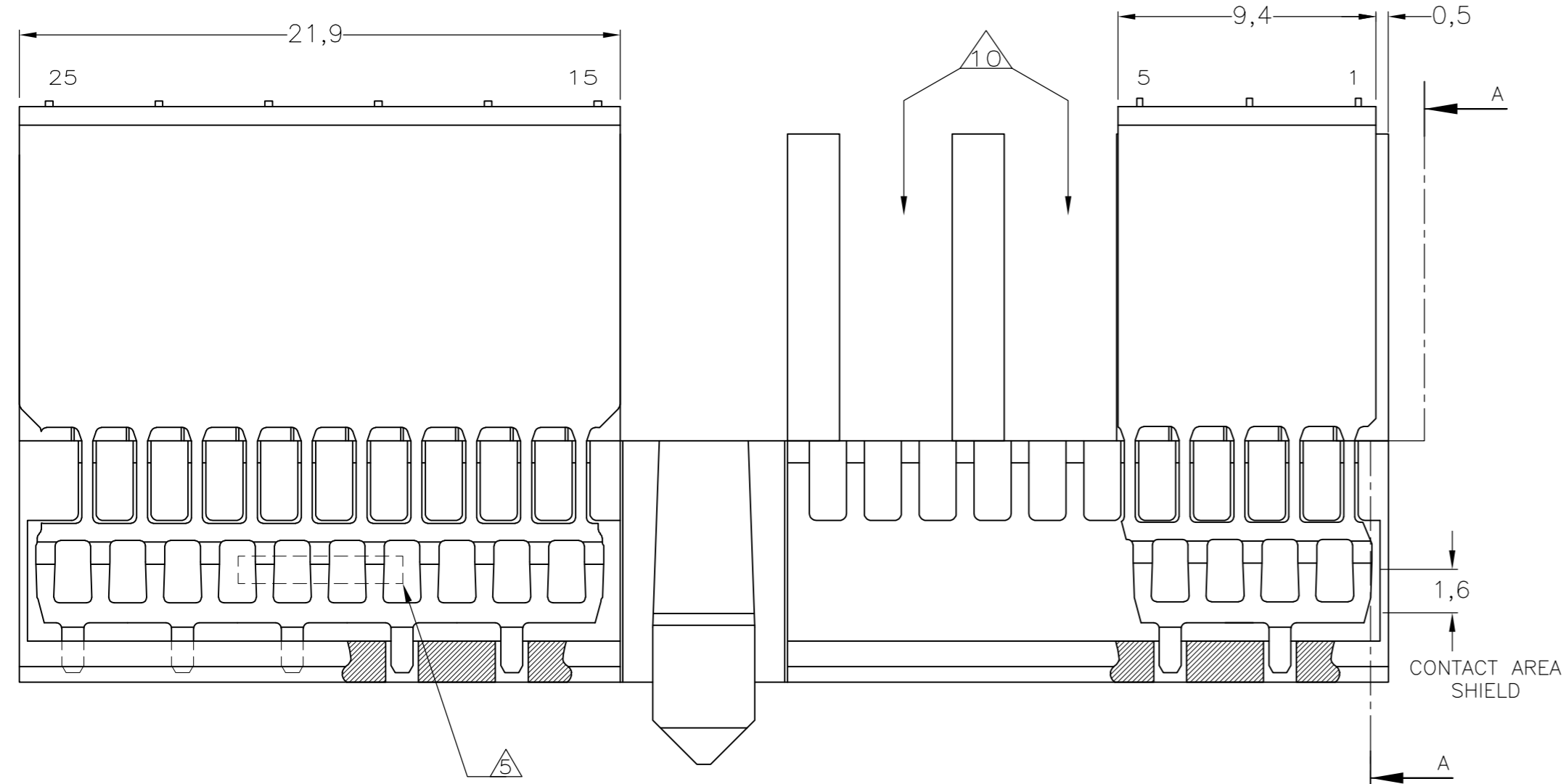
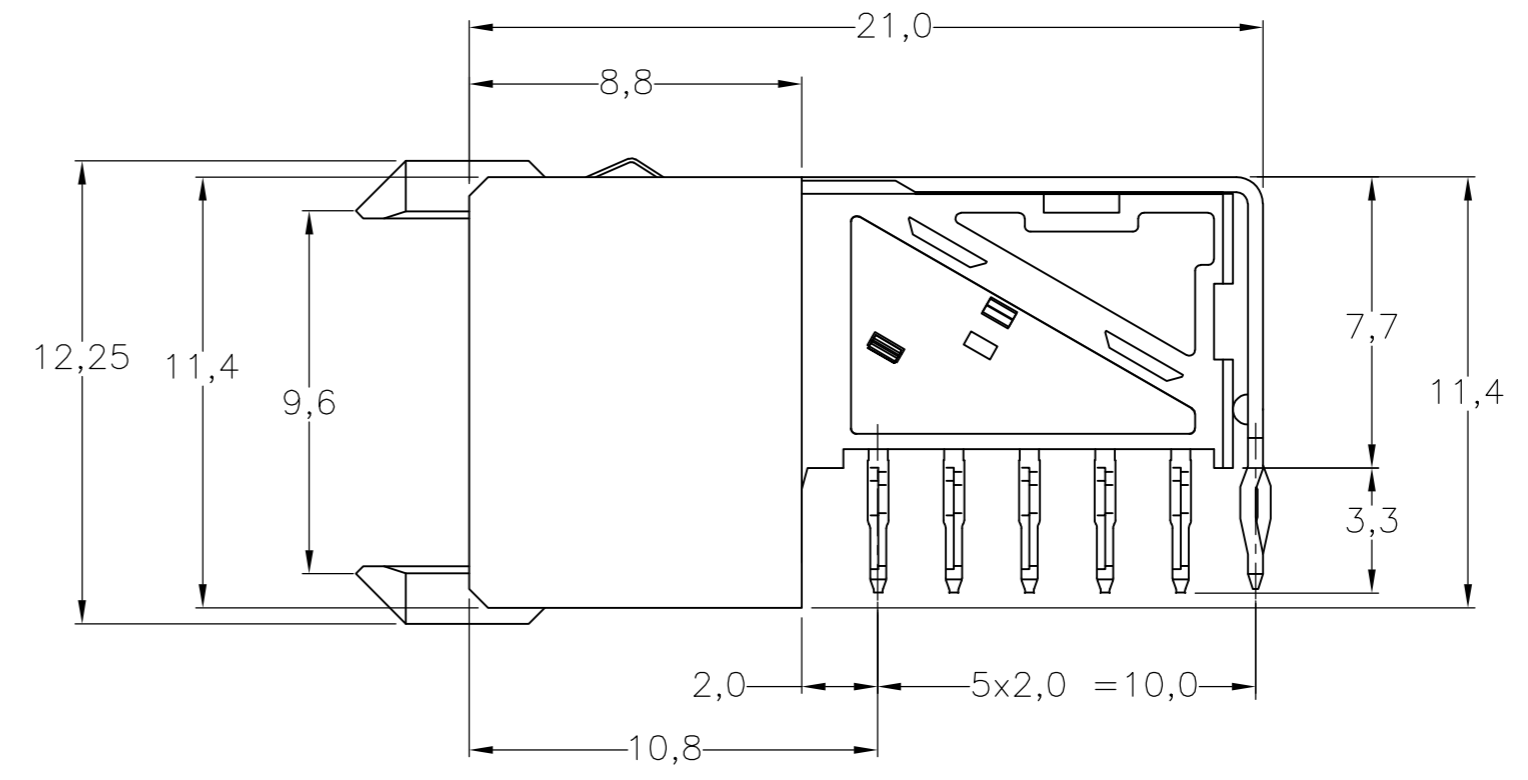
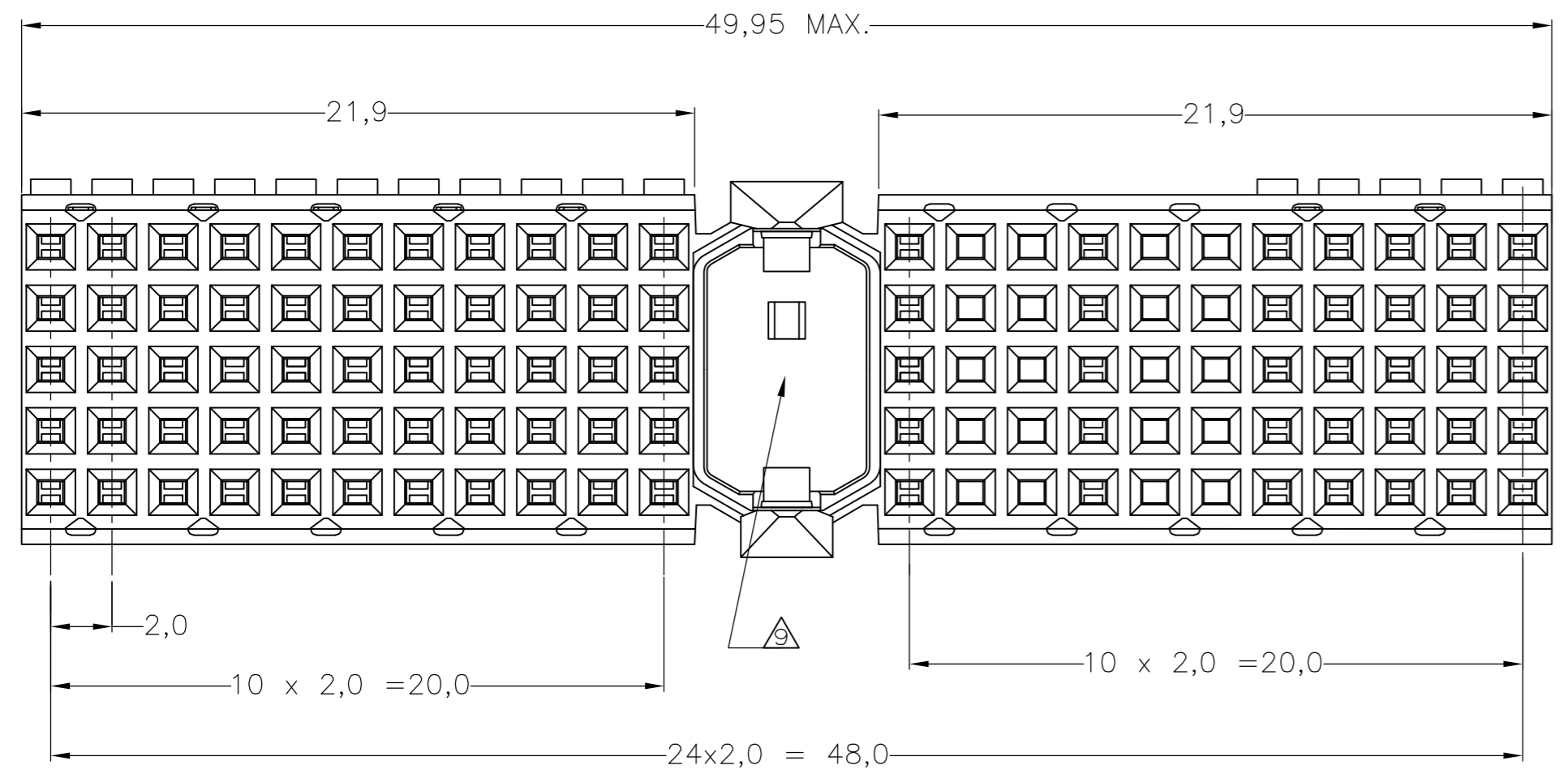


THIS DRAWING IS UNPUBLISHED. RELEASED FOR PUBLICATION
 © COPYRIGHT BY TYCO ELECTRONICS CORPORATION. ALL RIGHTS RESERVED.

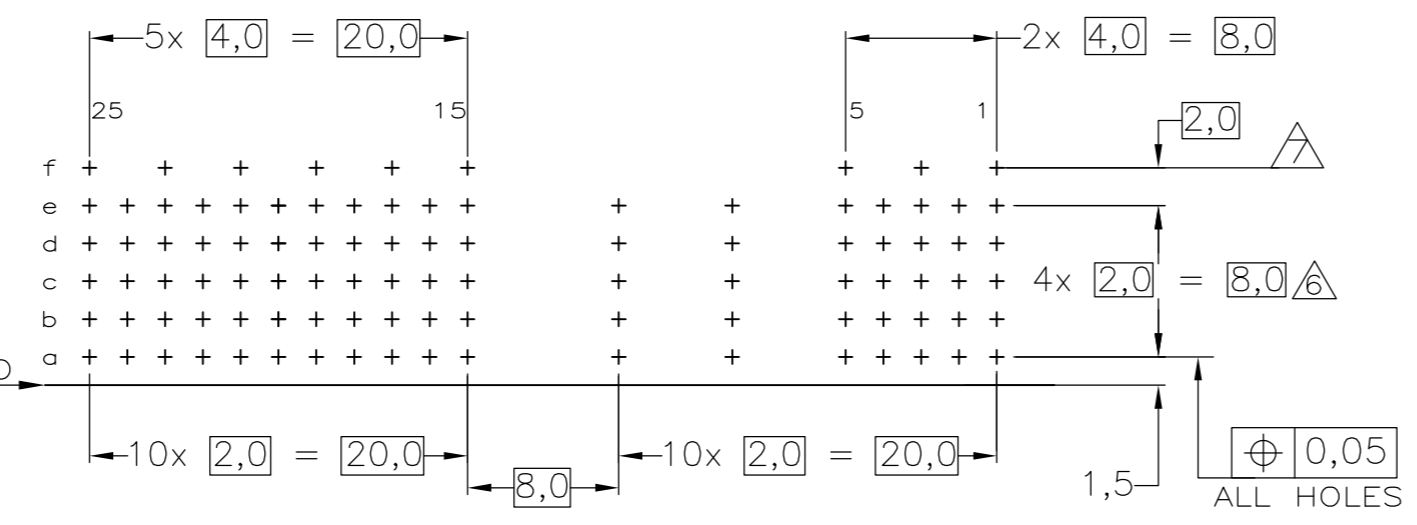
LOC	DIST	REVISIONS			
P	LTR	DESCRIPTION	DATE	DWN	APVD
G2		ECR-07-008404	17APR2007	JvH	BM
H		ECO-11-024491	13DEC11	SY	MQW



- NOTES:
- ① MATERIAL CONTACTS AND SHIELDS; PHOSPHORBRONZE
MATERIAL HOUSING; GLASSFILLED POLYESTER (GRAY)
 - ② GENERAL PLATING SPECIFICATION: UNDERPLATING (ENTIRE CONTACT):
1,27µm NICKEL MIN. AND ACTION PIN: 0,5µm TIN-LEAD MIN.
FOR PLATING OF MATING SURFACES SEE APPLICABLE
SPECIFICATION REFERENCE FOR EACH DASH NUMBER.
 - ③ CONFORMS TO ALL TESTING ACCORDING IEC 61076-4-101
PERFORMANCE LEVEL 2.
 - ④ PLATING SHIELD :
CONTACT AREA : 0,76µm Au Min.
ACTION PIN : 0,5µm SnPb Min.
REMAINDER : Ni
 - ⑤ ASSEMBLY PRINTED WITH P/N AND DATECODE. THE MARKING
CAN APPEAR ON THE FRONT SIDE OR THE BACK SIDE
 - ⑥ HOLE PATTERN FOR FEMALE CONNECTOR
90 PLATED-THROUGH HOLES AT 2x2mm SQUARE GRID
 - ⑦ ROW "f" 9 PLATED THROUGH HOLES FOR BOTH UPSHIELDS
 - ⑧ SHIELDS MOUNTED ON CONNECTOR WITH DOUBLE SIDED
ADHESIVE TAPE
 - ⑨ AREA RESERVED FOR KEYING PART (BASIC P.N. 100526)
 - ⑩ NO CONTACTS ON COLUMNS 6-7 AND 9-10



COMPONENT SIDE AS SHOWN
 RECOMMENDED PCB-HOLE LAY-OUT
 SCALE 2,5:1



P.C.B. HOLE DIM. ACTION PIN
 FOR DETAILS SEE
 APPLICATION SPECIFICATION

THIS DRAWING IS A CONTROLLED DOCUMENT.		DWN W. V.D. HEIJDEN 23FEB98	Tyco Electronics Corporation s-Hertogenbosch, Netherlands,	
DIMENSIONS: MM		CHK W. V.D. HEIJDEN 23FEB98	NAME Z-PACK 2MM HM	
TOLERANCES UNLESS OTHERWISE SPECIFIED:		APVD F.V.KONINGSBRUGGE 23NOV99	TYPE A - 16 COLUMNS (J4 VERSION)	
0 PLC ± -		PRODUCT SPEC 108-19082	PRE-SHIELDED RECEPTACLE	
1 PLC ± -		APPLICATION SPEC 114-19029	SIZE A2	RESTRICTED TO -
2 PLC ± -		WEIGHT -	CAGE CODE 00779	DRAWING NO. C=352359
3 PLC ± -		MATERIAL -	SCALE NTS	SHEET 1 OF 1
4 PLC ± -		FINISH -	CUSTOMER DRAWING	REV H
ANGLES ± -				