

This drawing involves proprietary design rights of Tyco Electronics Corporation, and all design, manufacture, reproduction, use and sale rights regarding the same are expressly reserved. It is submitted for a specific purpose and the recipient by accepting this drawing, assumes custody and control and agrees to take reasonable precautions; (a) that this drawing will not be copied and reproduced, in whole or in part, or its contents revealed in any manner, or to any person except to meet the purpose for which it was delivered and (b) that any special features peculiar to this design will not be incorporated in other projects without the expressed written permission of Tyco Electronics Corporation.

REVISIONS			
EC	REV	DESCRIPTION	DATE
CPR	A	NEW RELEASE	10/20/05

NOTES: UNLESS OTHERWISE SPECIFIED;

1. PART NUMBER CHANGES AND OR DESIGN CHANGES AFFECTING ITEM INTERCHANGEABILITY REQUIRE PRIOR ELCON APPROVAL AND AUTHORIZATION BY REVISION TO THIS DRAWING.

2. MATERIALS:

INSULATORS: THERMOPLASTIC, GLASS REINFORCED, COLOR-BLACK, UL94V-0 FLAMMABILITY RATED.

POWER CONTACTS: PHOSPHOR BRONZE ALLOY
COPPER ALLOY

SIGNAL CONTACT: BRASS ALLOY

CROWN BANDS: BERYLLIUM COPPER ALLOY

3. FINISHES:

CONTACTS: SELECTIVE GOLD PER MIL-G-45204, TYPE II, CLASS 0, .000030" MIN. THK, OVER NICKEL PER QQ-N-290, CLASS 2, .000050" MIN. THICK.

PCB TERMINATION: TIN PLATE PER ASTM B-545, OVER NICKEL PER QQ-N-290

4 MOUNTING FLANGES ACCEPT M3 OR #4-40 SCREWS (USER SUPPLIED).

5 BLANK CAVITIES, NO ELECTRICAL CONNECTION.

6. ITEMS PROVIDED TO THIS SPECIFICATION TO BE PERMANENTLY IDENTIFIED PER THE FOLLOWING IDENTIFIER:

YEAR WEEK

TYCO PART NUMBER

DATE CODE (e.g. 0525)

XXXXXXXX-X

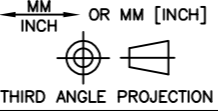


XXXX

7. SEE DRAWING C-6646410 FOR MATING SOCKET CONNECTOR.

7. CONNECTOR INFORMATION

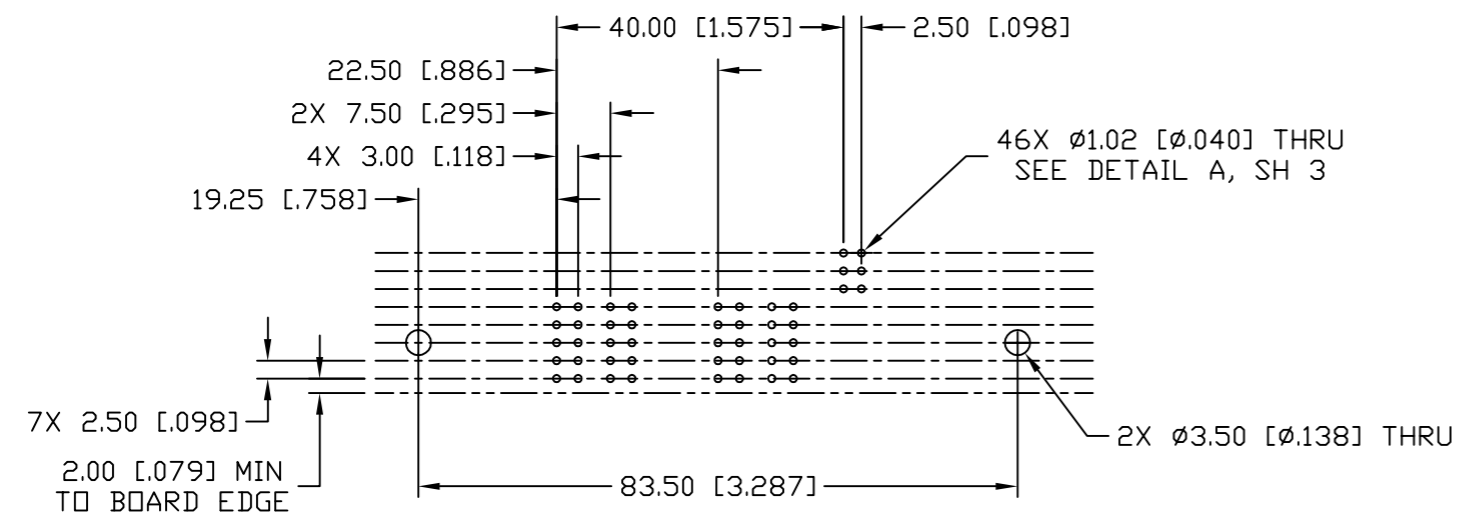
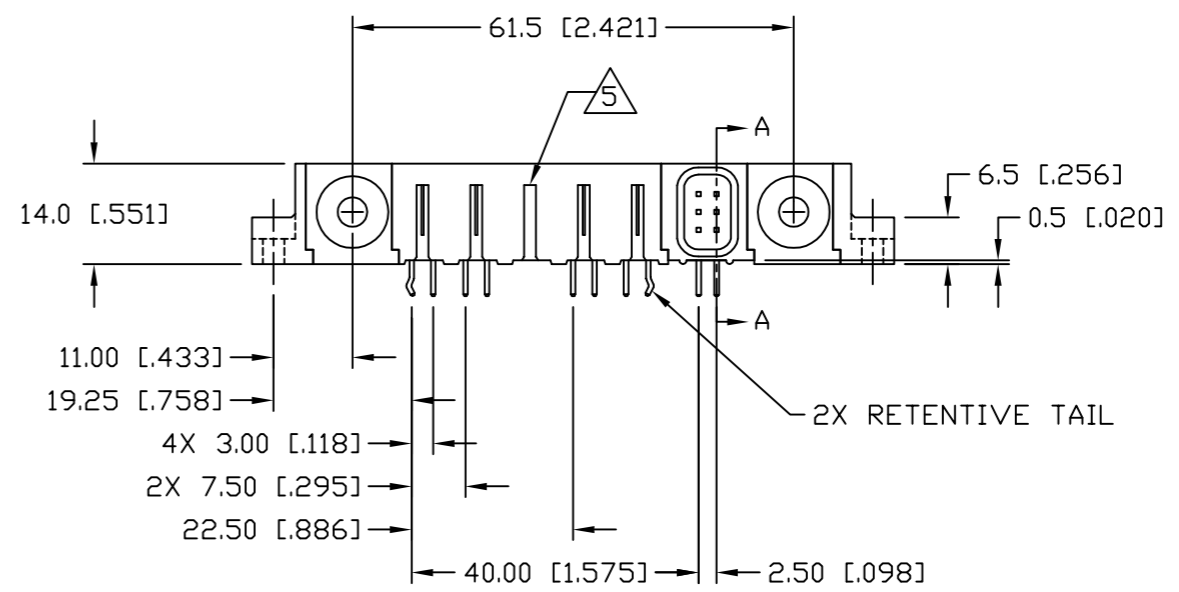
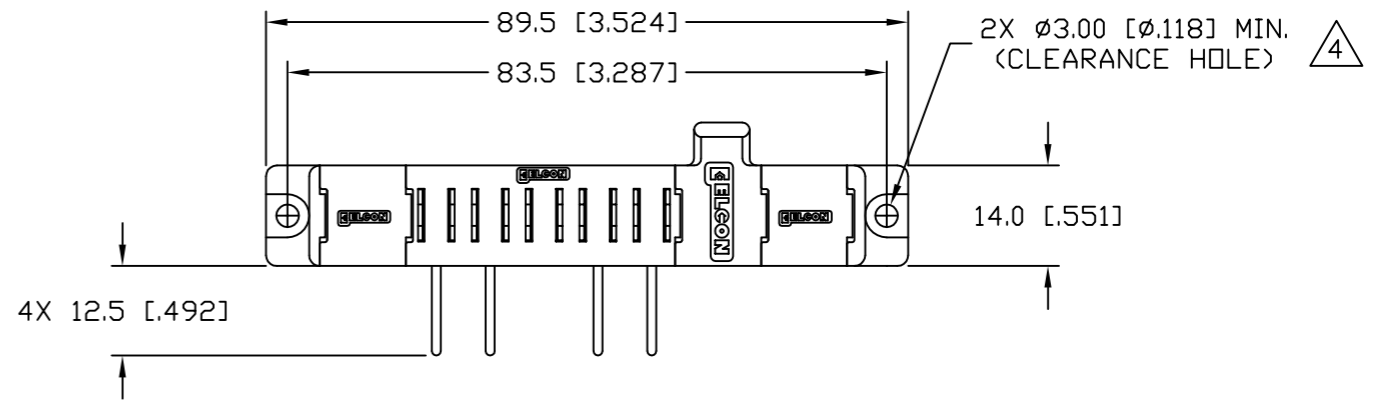
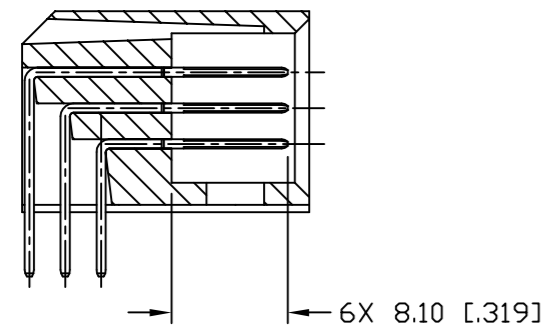
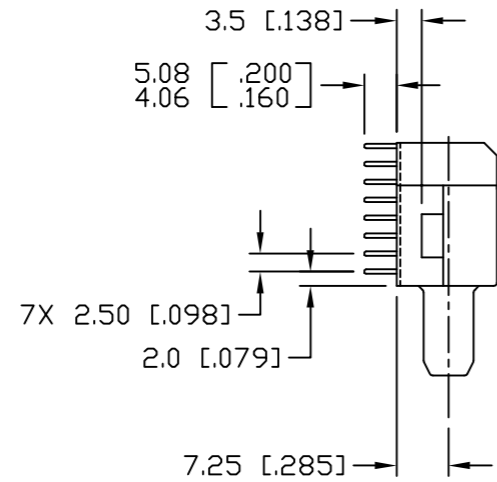
CONNECTOR	TYCO PART NUMBER	CATALOG MODULE #	QTY	SIZE NO.	CONTACT QTY	MATING PIN	MAX CURRENT (PER CONTACT)	CONTACT SPACING	VOLTAGE RATING*	
PIN	6646816-1	FP0151	4	8	4	1.25 X 7.00 [.049 X .276]	35 AMPERES	7.50 [2953]	250 VOLTS	
		FP0512	SPACER							
		FP0314	1	22	6	.64 [025] SQ	3 AMPERES	2.50 [0984]	125 VOLTS	
		FP0506	2	RIGHT ANGLE GUIDE SOCKET						
		FP0500	1	LEFT MOUNTING FLANGE						
		FP0501	1	RIGHT MOUNTING FLANGE						

*IAW IEC-950

 THIRD ANGLE PROJECTION UNLESS OTHERWISE SPECIFIED DIMENSIONS ARE IN METRIC [INCHES] TOLERANCES ANGLES ± .5° DECIMALS .XX ± .25 [.010] .X ± .5 [.020]	DRAWN HA NGUYEN CHECKED	DATE 10/19/05	 Tyco Electronics Corporation Menlo Park, Ca 94025 	
	APPROVED			TITLE
	APPROVED	D. CHAU	10/20/05	CONNECTOR, PIN, RIGHT ANGLE STD SOLDER TAILS, FLATPAQ PN: 6646816-1
	APPROVED	M. ALIM	10/20/05	SIZE DWG NUMBER REV. B C = 6646816 A
ACAD FILE NUMBER C6646816A.DWG			DWG SCALE 1=1 SH 1 OF 3	

This drawing involves proprietary design rights of Tyco Electronics Corporation, and all design, manufacture, reproduction, use and sale rights regarding the same are expressly reserved. It is submitted for a specific purpose and the recipient by accepting this drawing, assumes custody and control and agrees to take reasonable precautions; (a) that this drawing will not be copied and reproduced, in whole or in part, or its contents revealed in any manner, or to any person except to meet the purpose for which it was delivered and (b) that any special features peculiar to this design will not be incorporated in other projects without the expressed written permission of Tyco Electronics Corporation.

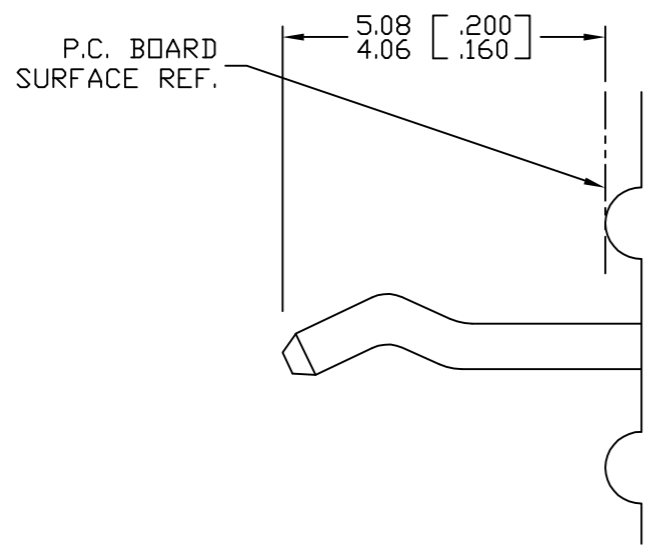
REVISIONS			
EC	REV	DESCRIPTION	DATE
		SEE SHEET 1	



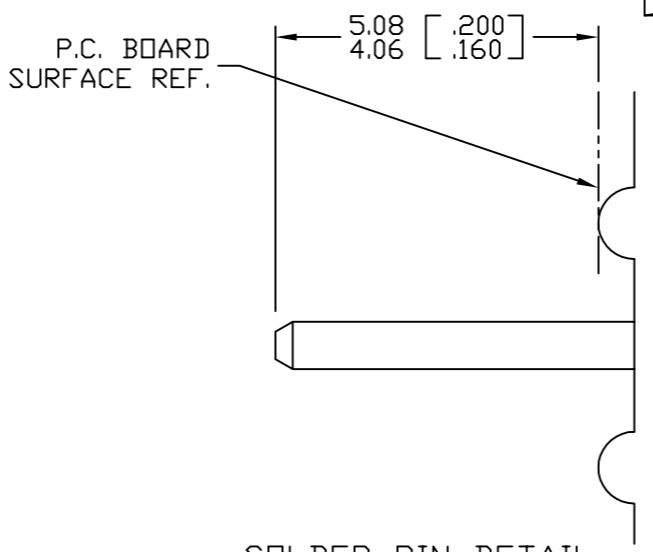
MM OR MM [INCH] THIRD ANGLE PROJECTION UNLESS OTHERWISE SPECIFIED DIMENSIONS ARE IN METRIC [INCHES] TOLERANCES ANGLES ± .5° DECIMALS .XX ± .25 [.010] .X ± .5 [.020]	DRAWN HA NGUYEN CHECKED	DATE 10/19/05	 Tyco Electronics Corporation Menlo Park, Ca 94025 	
	APPROVED	APPROVED D. CHAU 10/20/05		TITLE CONNECTOR, PIN, RIGHT ANGLE STD SOLDER TAILS, FLATPAQ PN: 6646816-1
	APPROVED M. ALIM 10/20/05	APPROVED DCA APPROVED M. ALIM 10/20/05	SIZE B	DWG NUMBER C = 6646816
	ACAD FILE NUMBER C6646816A.DWG	DWG SCALE 1 = 1	REV. A	SH 2 OF 3

This drawing involves proprietary design rights of Tyco Electronics Corporation, and all design, manufacture, reproduction, use and sale rights regarding the same are expressly reserved. It is submitted for a specific purpose and the recipient by accepting this drawing, assumes custody and control and agrees to take reasonable precautions; (a) that this drawing will not be copied and reproduced, in whole or in part, or its contents revealed in any manner, or to any person except to meet the purpose for which it was delivered and (b) that any special features peculiar to this design will not be incorporated in other projects without the expressed written permission of Tyco Electronics Corporation.

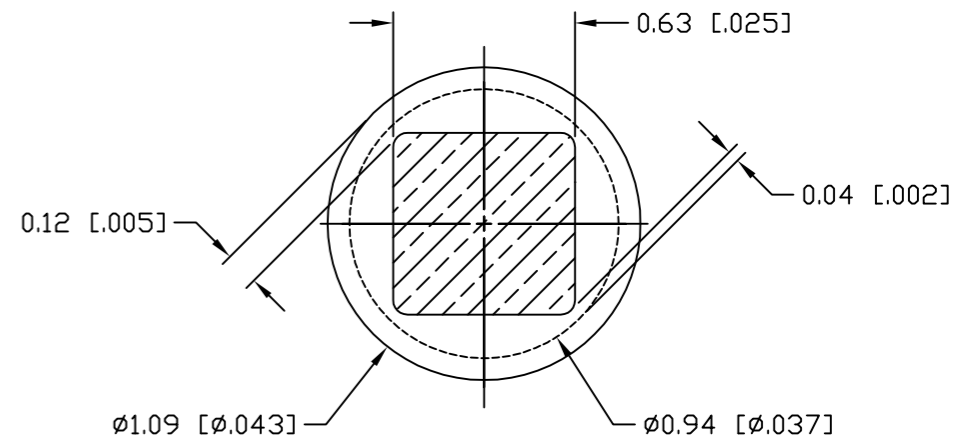
REVISIONS			
EC	REV	DESCRIPTION	DATE
		SEE SHEET 1	



RETENTIVE TAIL DETAIL
SCALE: 10 : 1

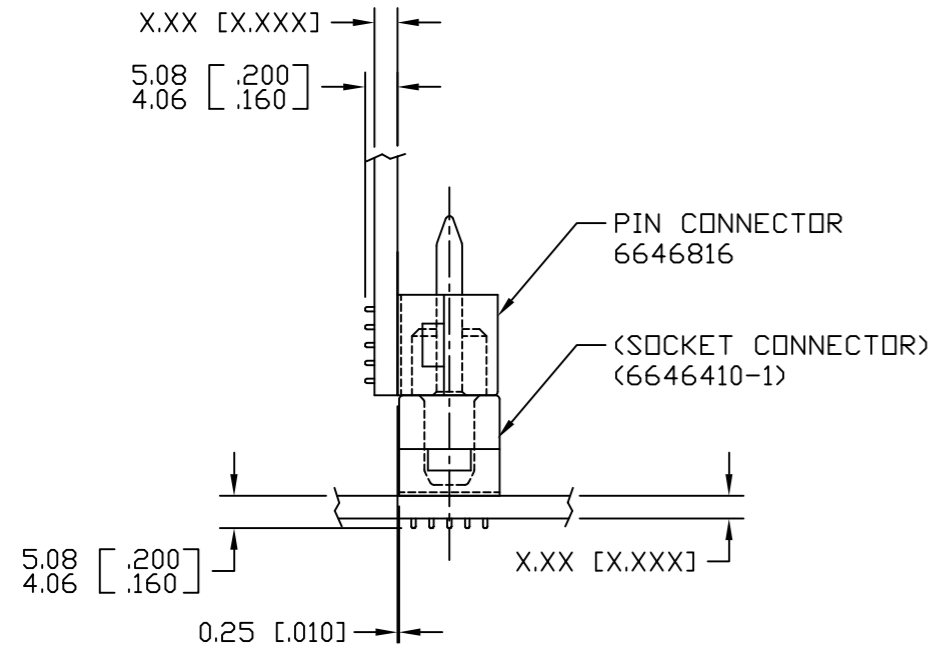


SOLDER PIN DETAIL
SCALE: 10 : 1

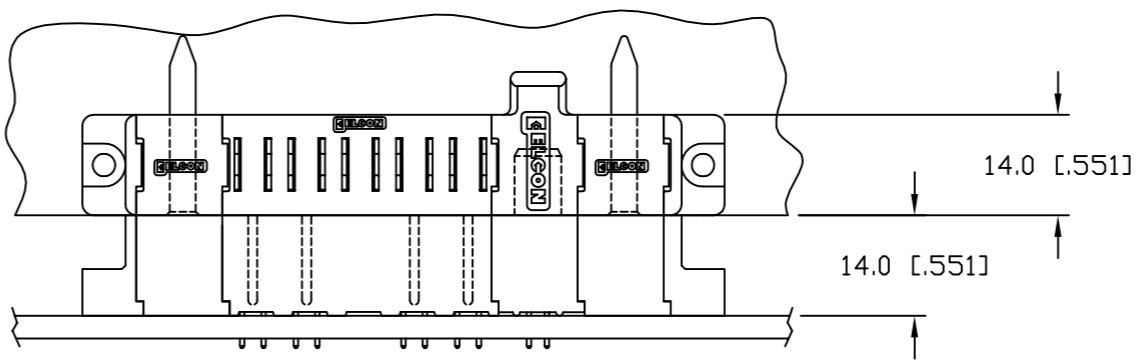


SOLDER TERMINATION AREA
SCALE: 40 : 1
RECOMMENDED PRINTED CIRCUIT HOLE
FINISHED HOLE: $\phi 1.02 [0.040] \pm 0.08 [0.003]$
DRILLED HOLE: $\phi 1.15 [0.453] \pm 0.013 [0.0005]$
COPPER PLATE: 0.025 [0.0010] MINIMUM (PER SURFACE)
TIN PLATE: 0.008 [0.0003] MINIMUM (PER SURFACE)

DETAIL A



MATED CONDITION



← MM INCH → OR MM [INCH] THIRD ANGLE PROJECTION UNLESS OTHERWISE SPECIFIED DIMENSIONS ARE IN METRIC [INCHES] TOLERANCES ANGLES $\pm .5^\circ$ DECIMALS .XX $\pm .25 [.010]$.X $\pm .5 [.020]$	DRAWN HA NGUYEN CHECKED	DATE 10/19/05	 Tyco Electronics Corporation Menlo Park, Ca 94025 TITLE USER INFORMATION SOLDER TAIL TERMINATION AND MATED CONDITION	
	APPROVED APPROVED D. CHAU DCA APPROVED M. ALIM	DATE 10/20/05 10/20/05		SIZE B
ACAD FILE NUMBER C6646816A.DWG		DWG SCALE 1 = 1	SH 3 OF 3	