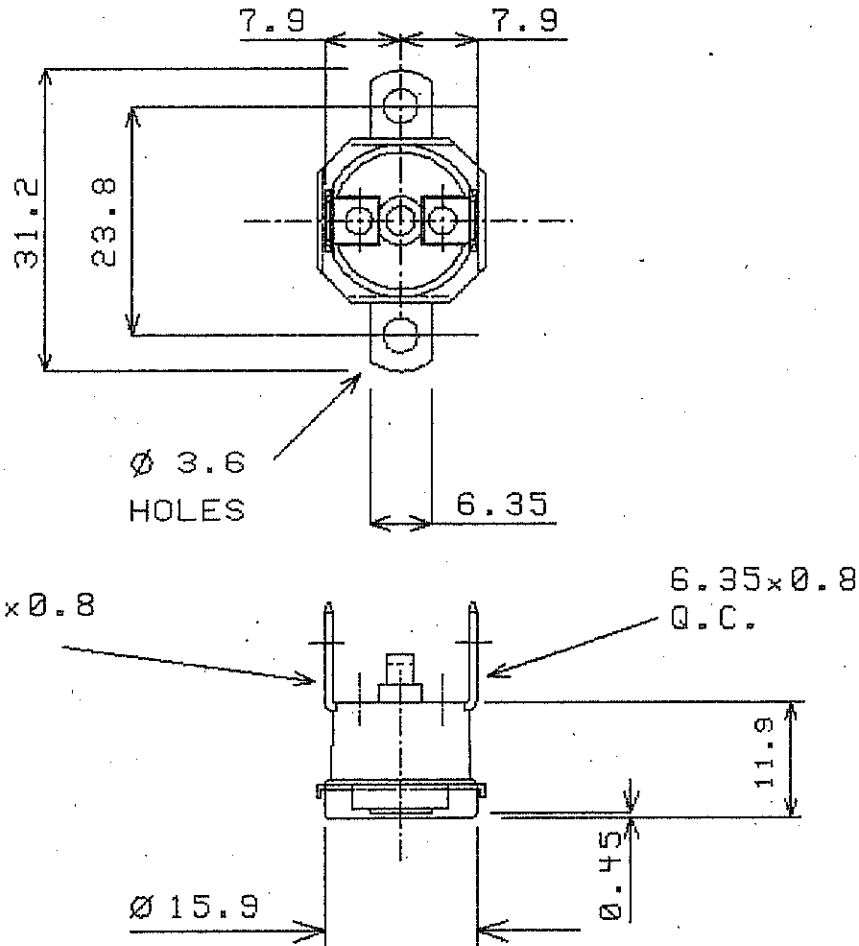


DO NOT SCALE ALL DIMENSIONS ARE FOR REFERENCE ONLY

OPERATING CRITERIA



VOLTS: 240 AMPS: 10 HZ:

OPERATING TEMPS. DEG.C

OPEN: 80 ± 5  
CLOSE: MR

NOTE! ORIENTATION OF BRACKET IS NOT FIXED

CODING REQUIREMENTS

COLOUR: SILVER OR WHITE  
L80C 98 640 XXX

CAP: B200 MAT'L: ALUMINIUM  
BRK'T: B203S MAT'L: STEEL  
PLATING: NICKEL  
TERMINAL: T147 T147

ISSUE									
MOD No									
MTH/YR									
ELMWOOD DEVICE & UNIQUE PART No							ELMWOOD DRG No.		ISSUE
2455RM-98-640							905342		
ELMWOOD							DATE OF ISSUE STAMP		