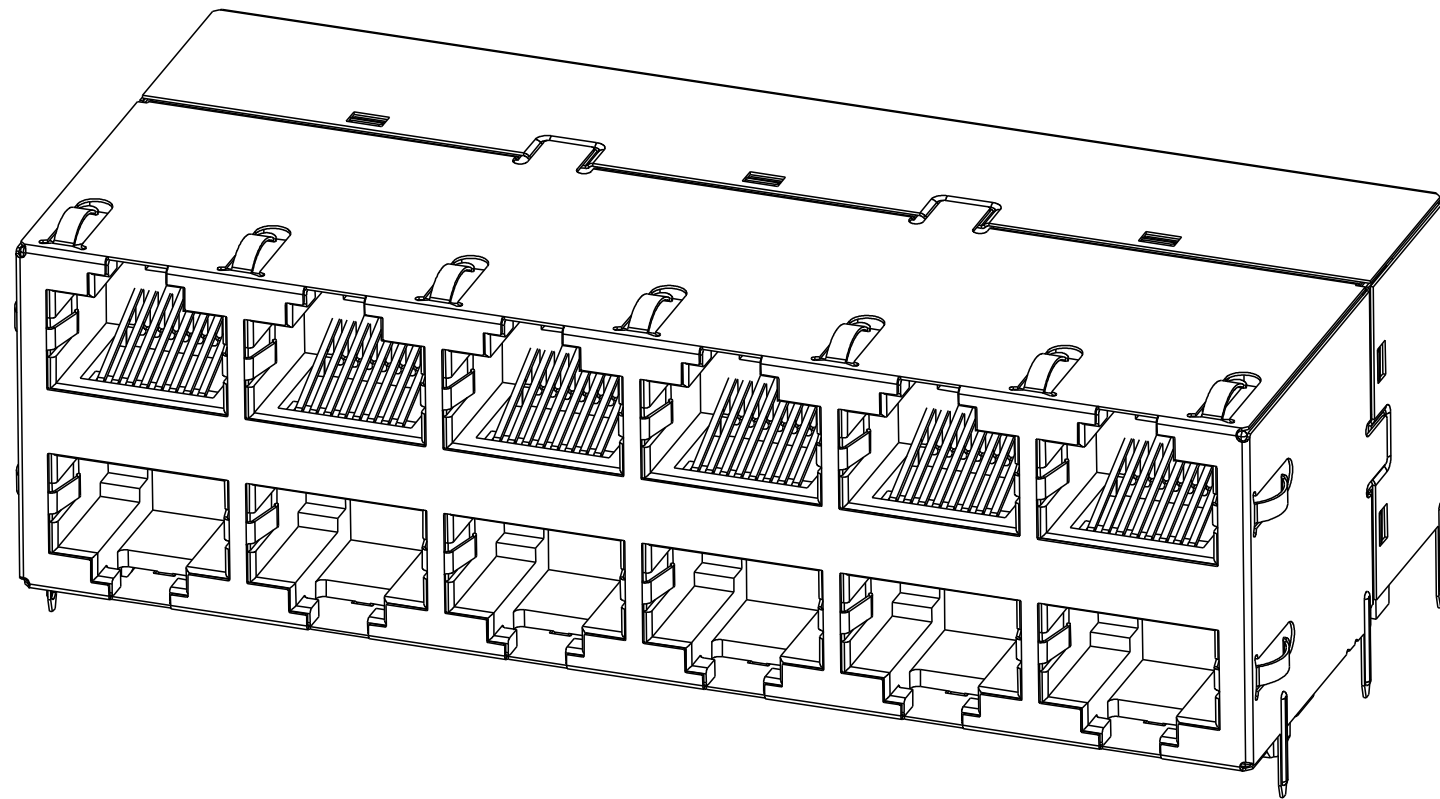


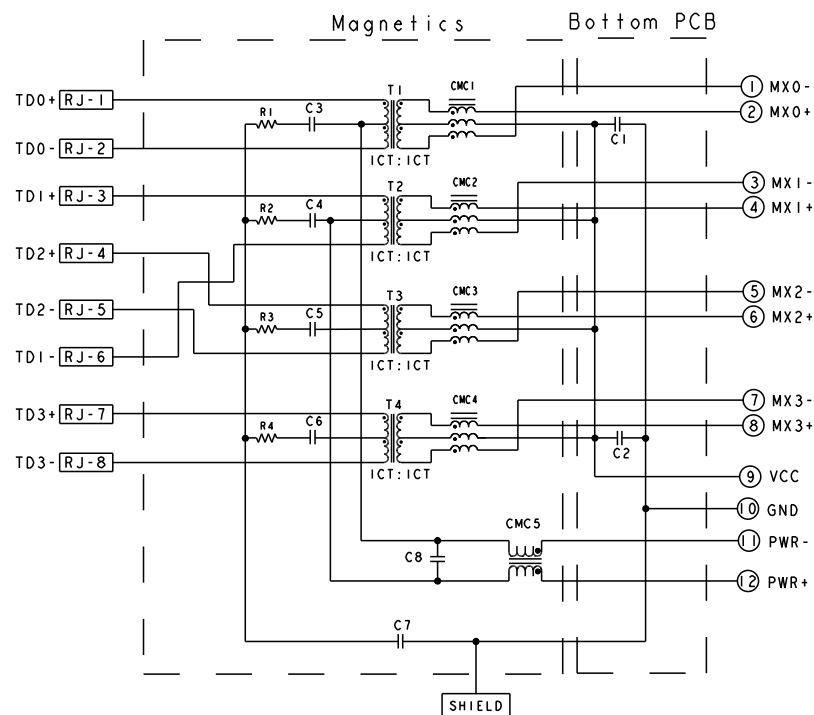
THIS DRAWING AND THE SUBJECT MATTER SHOWN THEREON ARE CONFIDENTIAL AND THE PROPERTY OF BEL/STEWART/TRP CONNECTOR AND SHALL NOT BE REPRODUCED, COPIED, OR USED IN ANY MANNER WITHOUT THE WRITTEN CONSENT OF TRP CONNECTOR.

PRODUCT MAY BE PROTECTED BY ONE OR MORE OF THE FOLLOWING US PATENTS:  
 5736910 5939955 6425781 6428361 6554638 6840817 7123117  
 7429195 7717749 7808751 6217391 6149050 7924130

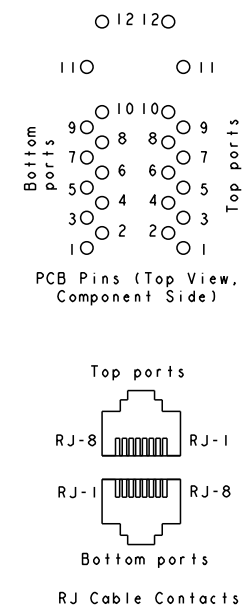
REVISIONS				
#	LTN	DESCRIPTION	DATE	DWN APVD
C		EC-1411035 COMPANY LOGO CHANGE	23JAN2015	CZ TY



**S9VG65 GIGABIT PoE CIRCUIT**  
 Top and Bottom Ports



**Pin Designations**  
 (Repeat for each vertical pair of ports)

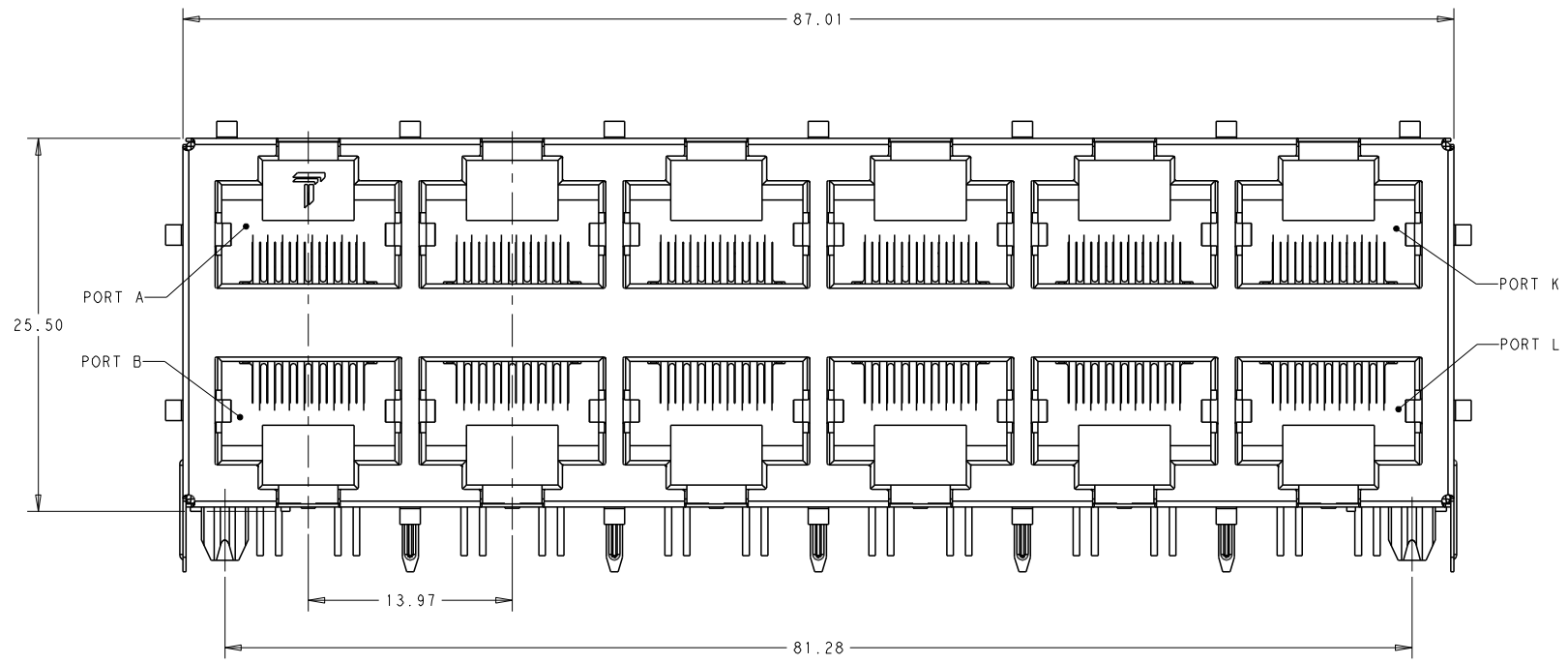
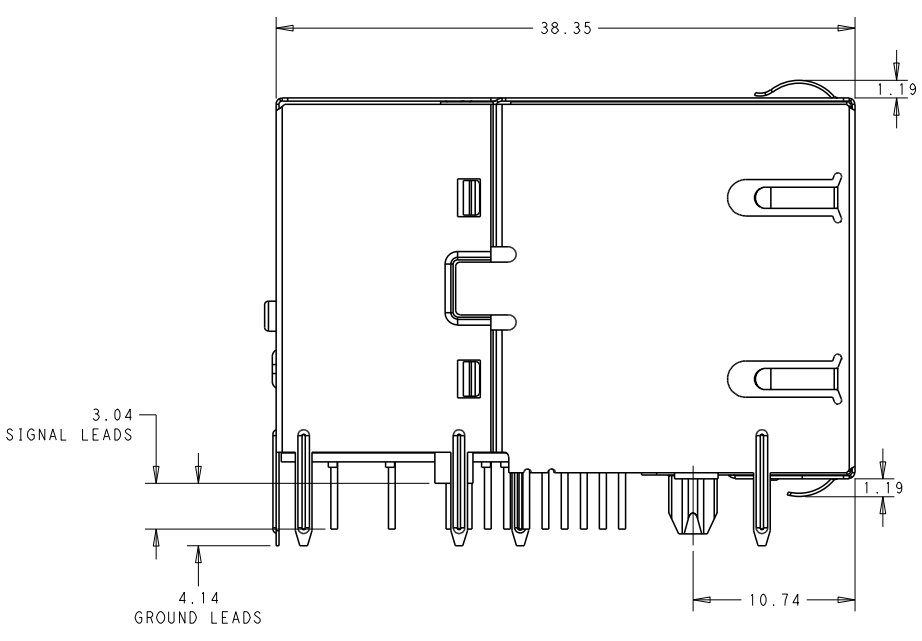
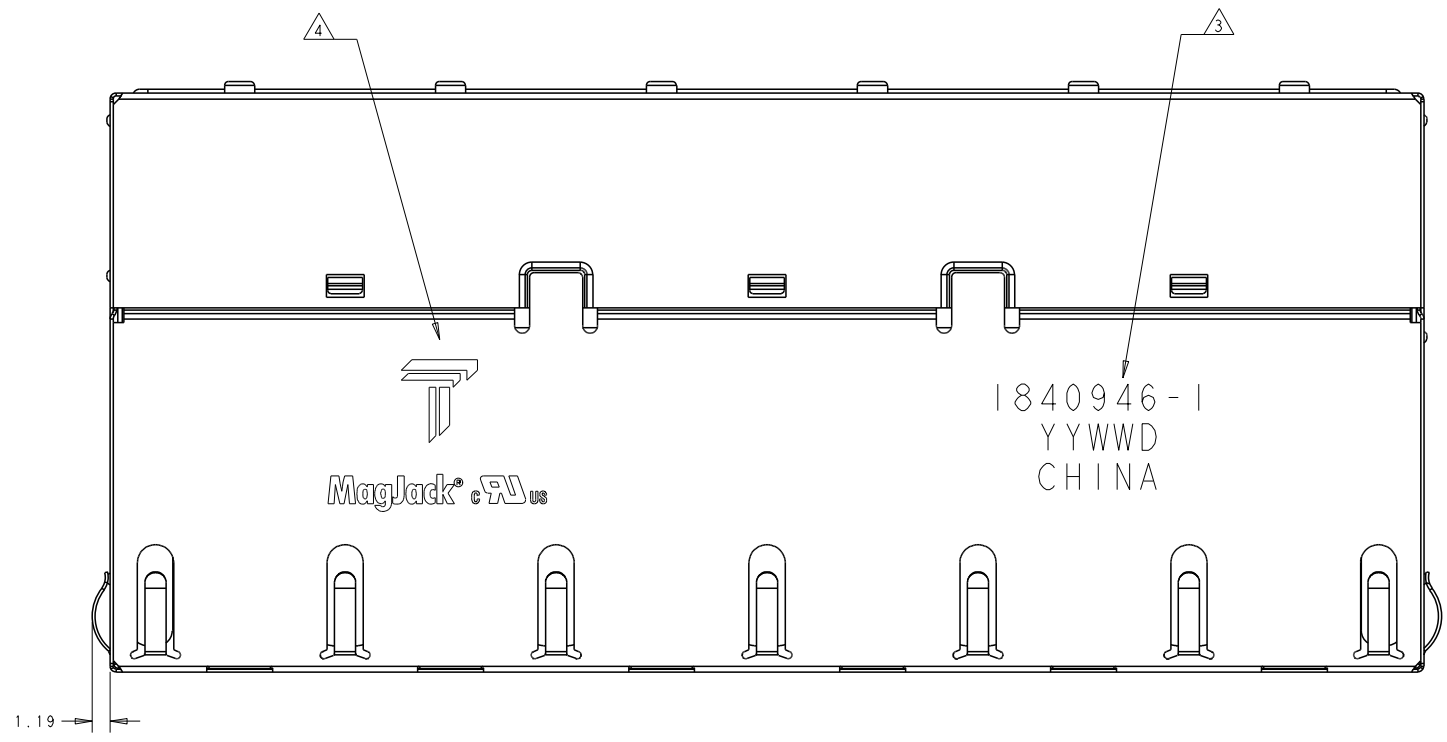


C1-C2=10nF, 50V, X7R,CAPACITORS  
 C3-C6=22nF, 100V,CAPACITORS  
 C7=1000PF, 3KV,CAPACITORS  
 C8=68nF, 100V,CAPACITORS  
 R1-R4=75Ω, 1/16W,RESISTORS

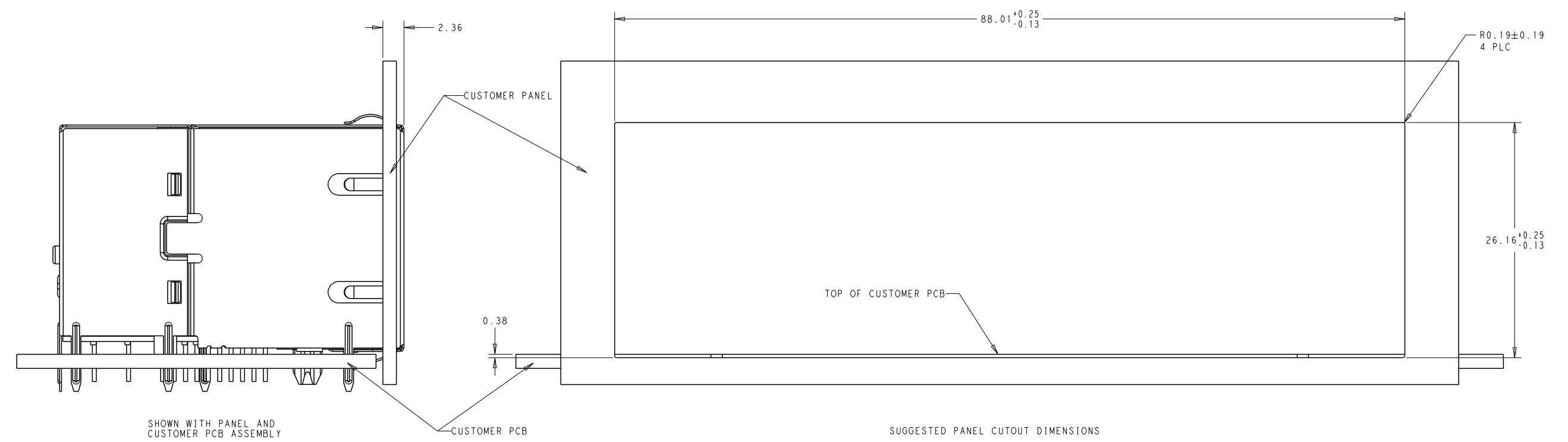
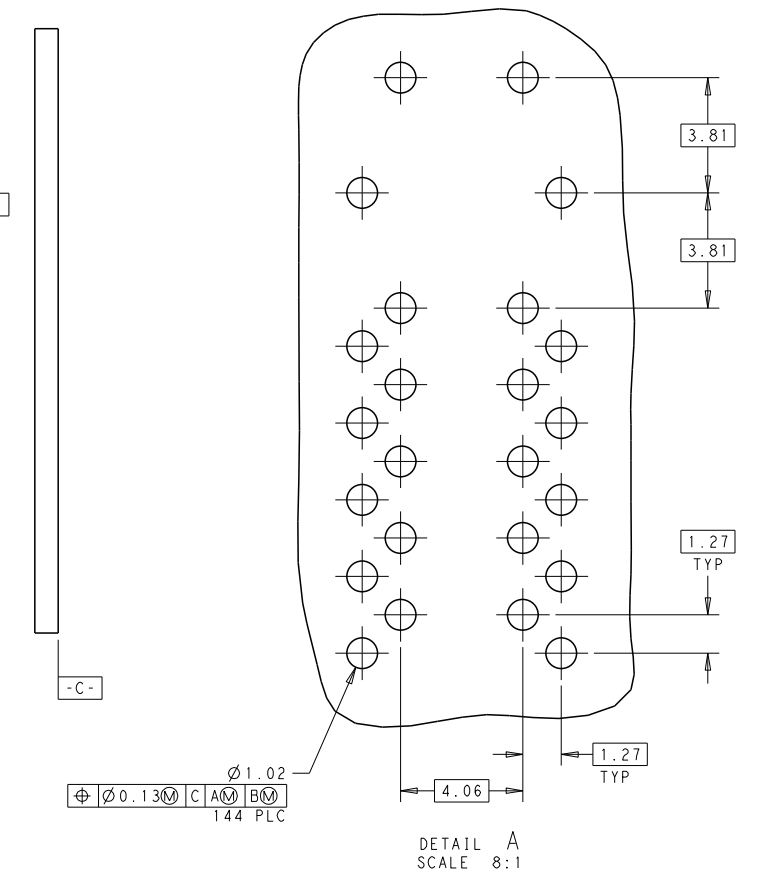
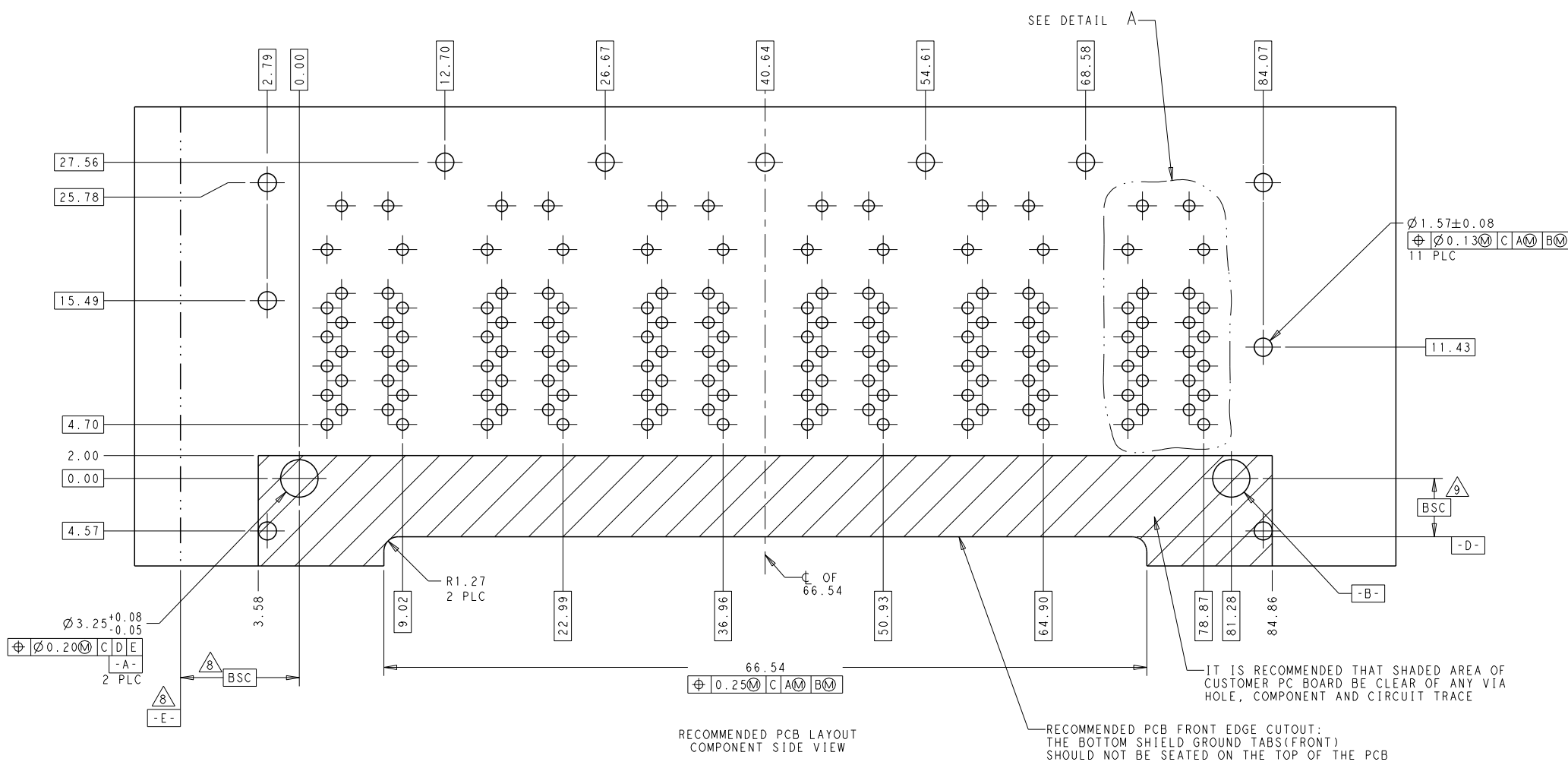
1. MATERIALS:  
 PLASTIC HOUSING: BLACK, THERMOPLASTIC FLAMMABILITY RATING UL 94V-0  
 SHIELD: BRASS, PREPLATED WITH 0.76um MIN SEMI-BRIGHT NICKEL,  
 POST DIPPED WITH 2.54um MIN SAC SOLDER ON SOLDER TAILS,  
 CONTACTS: PHOSPHOR BRONZE, 1.27um MIN OVERALL NICKEL  
 UNDERPLATE WITH SELECT 1.27um MIN GOLD AT MATING INTERFACE  
 AND 2.54um MIN MATTE TIN ON SOLDER TAILS.  
 ALL PC BOARDS: HIGH TEMPERATURE PCB,TG>170°C
2. MAGNETICS  
 APPLICATION: 10/100/1000 BASE-T, PoE  
 IMPEDANCE: 100 OHMS  
 TURNS RATIO (CHIP:CABLE): 1:1 ALL FOUR PAIRS  
 OPEN CIRCUIT INDUCTANCE (OCL): 350uH MIN @100kHz, 0.1VRMS,  
 8mADC BIAS FROM 0°C TO 70°C, ALL FOUR PAIRS  
 ALL FOUR PAIRS BI-DIRECTIONAL  
 POE CURRENT: 350mADC MAX  
 PERFORMANCE @ 25°C:  
 INSERTION LOSS (IL): 1.1dB MAX FROM 0.5MHz TO 100MHz  
 RETURN LOSS (RL): 18dB MIN FROM 0.5MHz TO 40MHz  
 12-20LOG(f/80)dB MIN FROM 40.1MHz TO 100MHz  
 CROSSTALK ATTENUATION: 35dB MIN FROM 0.5MHz TO 40MHz  
 33-20LOG(f/50)dB MIN FROM 40.1MHz TO 100MHz  
 COMMON MODE REJECTION RATIO (CMRR): 30dB MIN FROM 0.5MHz TO 100MHz  
 ISOLATION VOLTAGE: 2250VDC(MAX) FOR 60 SECONDS WITH A RISE TIME OF  
 500V/SEC AND WITH ALL PORTS CONNECTED.
3. PART NUMBER, DATE CODE AND COUNTRY OF ORIGIN ARE LOCATED IN APPROXIMATE AREA SHOWN. DATE CODE YY IS YEAR. WW IS WORK WEEK. D IS DAY OF WEEK, WITH SUNDAY=1.
4. TRP LOGO AND AGENCY APPROVAL LOGO ARE LOCATED IN APPROXIMATE AREA SHOWN.
5. OPERATING TEMP: FROM 0°C TO +70°C.
6. RJ45 CAVITY CONFORMS TO FCC RULES AND REGULATION PART 68 SUBPART F.
7. INDICATED MAGNETIC CONNECTIONS ARE SYMMETRICAL AND SUPPORT AUTO-MDI/MDIX.
8. DATUM AND BASIC DIMENSION ESTABLISHED BY CUSTOMER.
9. BASIC DIMENSION ESTABLISHED BY CUSTOMER, BUT MAY NOT BE GREATER THAN 5.08mm.
10. THE PARTS ARE RECOMMENDED FOR WAVE SOLDERING PROCESS, PEAK TEMPERATURE 260°C MAX, 10 SECONDS MAX.

1840946-1  
 PART NUMBER

THIS DRAWING IS A CONTROLLED DOCUMENT.		DWN TOMMY REN 22MAR2010	 <b>trp</b> CONNECTOR a bel group	DONGGUAN CHINA
DIMENSIONS: mm		CHK TONY YUAN 22MAR2010		DESC 2X6 S9VG65 GIGABIT PoE W/O LED
TOLERANCES UNLESS OTHERWISE SPECIFIED:		APVD KEITH ZHU 22MAR2010	MODEL NAME	RESTRICTED TO
0 PLC ± 1 PLC ± 2 PLC ±0.25 3 PLC ± 4 PLC ± ANGLES ±			MAGJACK STACK PoE	
PRODUCT SPEC 108-104004	APPLICATION SPEC -		SIZE A1	SCALE NTS
CUSTOMER DRAWING			©=1840946	SHEET 1 OF 3 REV C



THIS DRAWING IS A CONTROLLED DOCUMENT.		DWN TOMMY REN 22MAR2010	 DONGGUAN CHINA
DIMENSIONS: mm		CHK TONY YUAN 22MAR2010	
TOLERANCES UNLESS OTHERWISE SPECIFIED:		APP'D KEITH ZHU 22MAR2010	
0 PLC ± 1 PLC ± 2 PLC ±0.25 3 PLC ± 4 PLC ± ANGLES ±	PRODUCT SPEC 108-104004 APPLICATION SPEC -	MODEL NAME MAGJACK STACK PoE	DESC 2X6 S9V665 GIGABIT PoE W/O LED SIZE A1 CAGE CODE DRAWING NO. 1840946 RESTRICTED TO SCALE NTS SHEET 2 OF 3 REV C



THIS DRAWING IS A CONTROLLED DOCUMENT.		DWN: TOMMY REN 22MAR2010	 DONGGUAN CHINA
DIMENSIONS: mm		CHK: TONY YUAN 22MAR2010	
TOLERANCES UNLESS OTHERWISE SPECIFIED:		APP'D: KEITH ZHU 22MAR2010	
 0 PLC ± 1 PLC ± 2 PLC ±0.25 3 PLC ± 4 PLC ± ANGLES ±	PRODUCT SPEC 108-104004	MODEL NAME MAGJACK STACK PoE	DESC 2X6 S9VG65 GIGABIT PoE W/O LED
APPLICATION SPEC		SIZE: A1	RESTRICTED TO: -
CUSTOMER DRAWING		SCALE: NTS	SHEET 3 OF 3 REV C