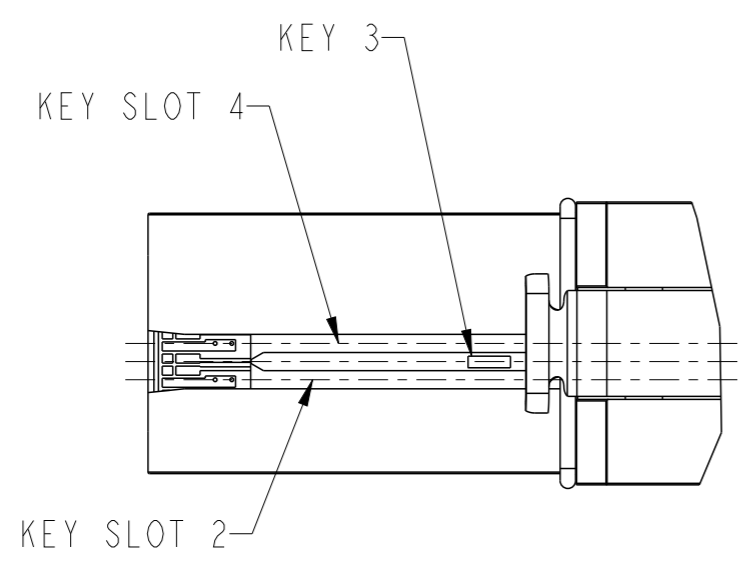
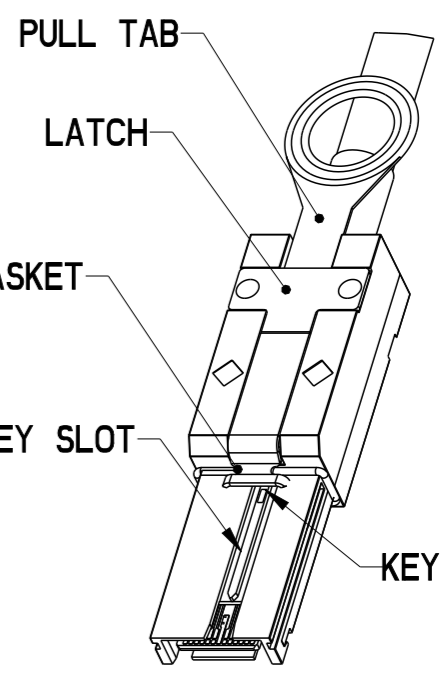


SEE DETAIL A

END P1
CABLE CONNECTOR
Mini SAS 2.1 TRAINED PLUG

CABLE
SEE NOTE 4 & 12

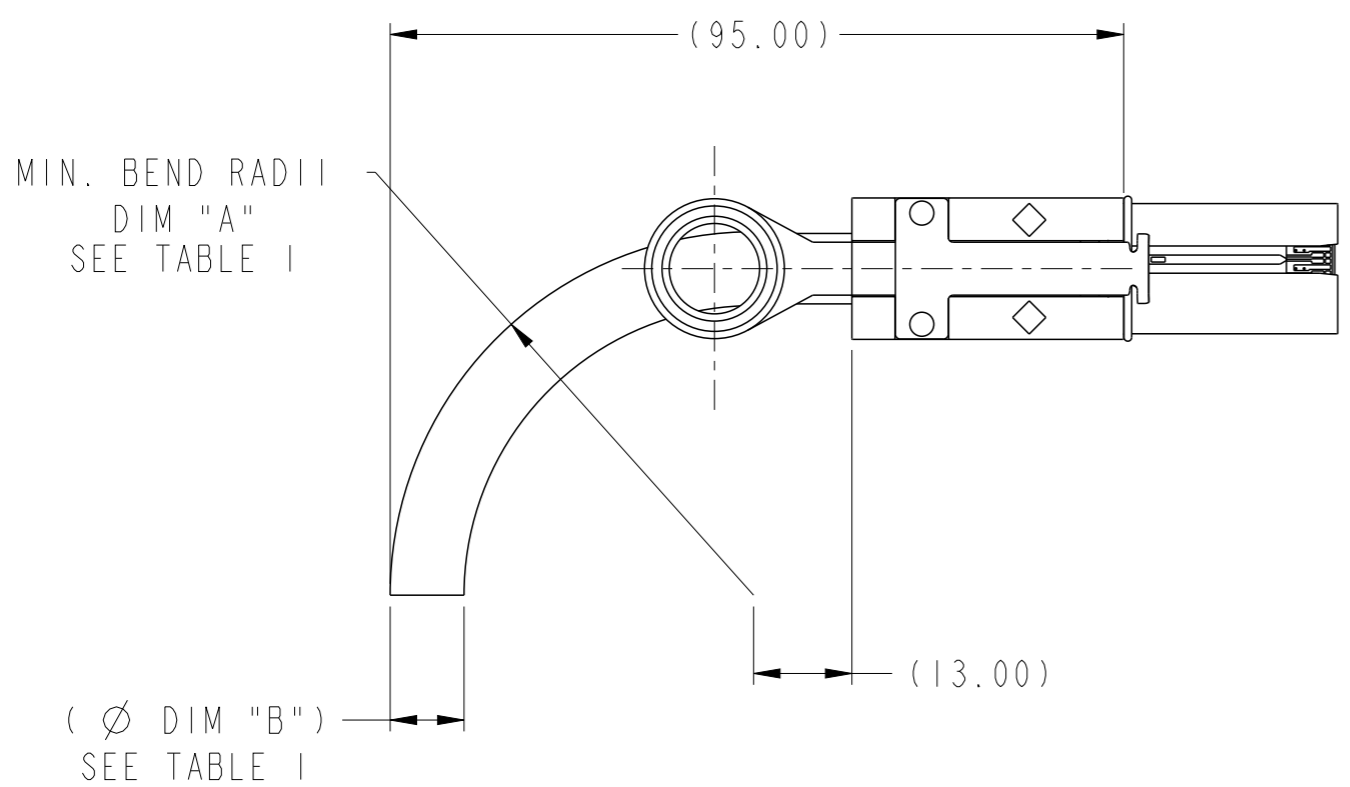
END P2
CABLE CONNECOTR
Mini SAS 2.1 TRAINED PLUG



DETAIL A
KEY 3 & KEY SLOT 2 & 4 SHOWN
SCALE 2:1

dr	Deborah Ingram	2010/02/09	projection	MM	size	A3	scale	1:1
eng	Tommy Lin	2014/01/14			ecn no		ELX-N-16725-1	
chr	-	-			rel level		Released	
appr	Roger Cheng	2014/01/14	product family		C&A		Released	
			title Mini SAS 2.1 TRAINED CABLE ASSEMBLY			dwg no 10111837		rev C
www.fci.com			cat. no.		-		Product - Customer Drw	
			PDS: Rev :C		STATUS:Released		Printed: Jan 15, 2014	

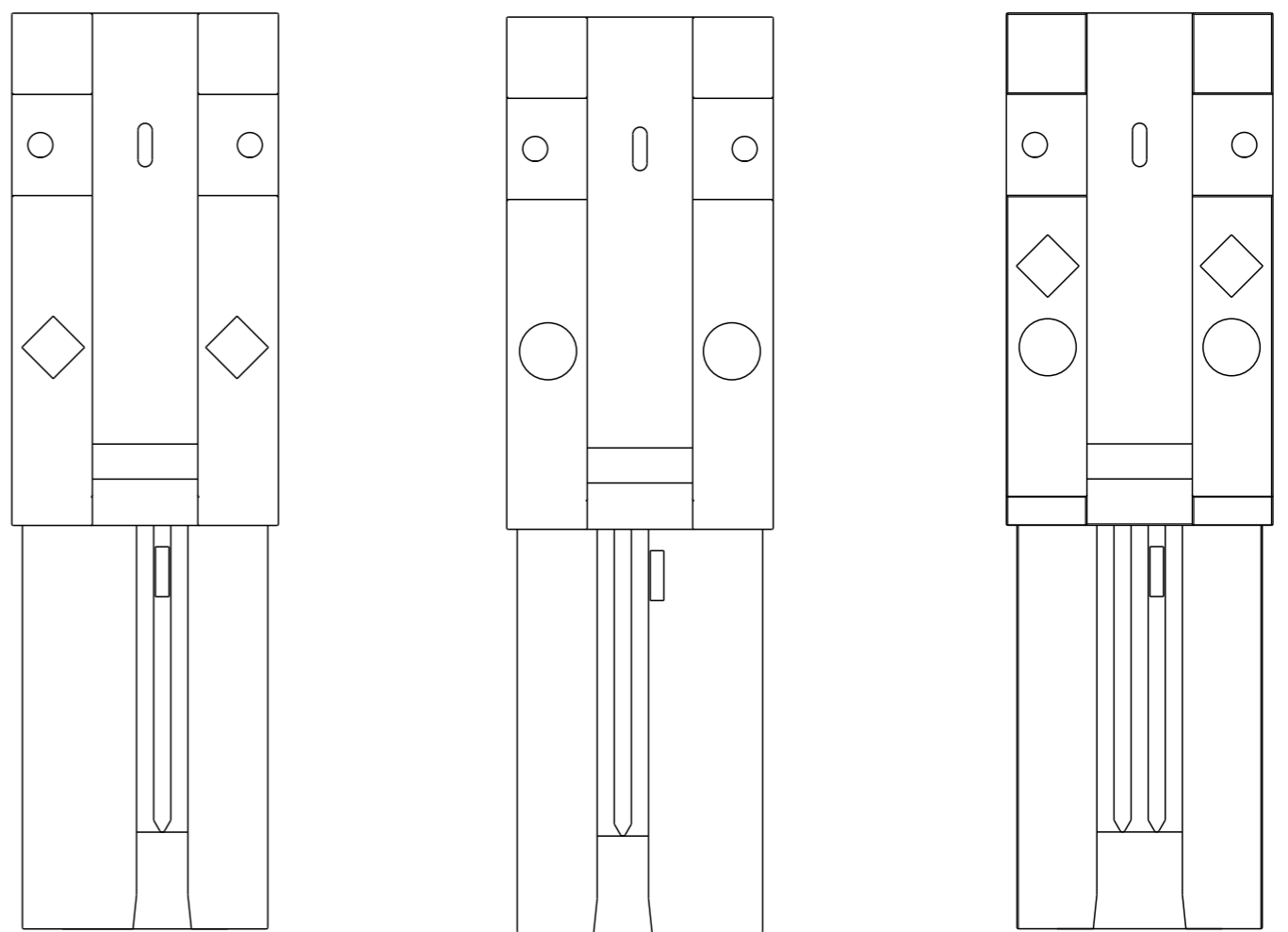
Copyright FCI.



**BEND RADIUS
(24 AWG SHOWN)**

TABLE 1

CABLE	DESCRIPTION	DIM "A"	DIM "B"
26 AWG	HF	R43.0	Ø8.6±0.3mm
28 AWG	HF	R37.5	Ø7.5±0.2mm
30 AWG	HF	R33.0	Ø6.6±0.2mm
24 AWG	NON-HF	R46.5	Ø9.3±0.3mm
26 AWG	NON-HF	R41.0	Ø8.2±0.3mm
28 AWG	NON-HF	R35.5	Ø7.1±0.2mm
30 AWG	NON-HF	R33.0	Ø6.6±0.2mm



KEY 3 & KEY SLOT 2 & 4
◇ OUT PORT

KEY 3 & KEY SLOT 4 & 6
○ IN PORT

KEY 3 & KEY SLOT 2, 4 & 6
○ ◇ UNIVERSAL PORT

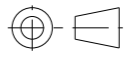

MINI SAS 2.1 TRAINED

dr	Deborah Ingram	2010/02/09	projection	MM	size	A3	scale	1:1	
eng	Tommy Lin	2014/01/14			ecn no	ELX-N-16725-1			
chr	-	-				rel level	Released		
appr	Roger Cheng	2014/01/14	product family	C&A					
		title Mini SAS 2.1 TRAINED CABLE ASSEMBLY			dwg no 10111837	rev C			
www.fci.com		cat. no.	-		Product - Customer Drw		sheet 2 of 6		

Copyright FCI. FCI

MINI SAS 2.1 TRAINED CABLE ASSEMBLY (HF)

PRODUCT NUMBER SEE NOTE 4	DESCRIPTION	GAUGE	"DIM L" LENGTH	END P1		END P2	
				KEY SLOT	KEY	KEY SLOT	KEY
10111837-V010001LF	X4 SAS CABLE ASSEMBLY	30 AWG	1M	2, 4	3	4, 6	3
10111837-V020001LF	X4 SAS CABLE ASSEMBLY	30 AWG	2M	2, 4	3	4, 6	3
10111837-V030001LF	X4 SAS CABLE ASSEMBLY	30 AWG	3M	2, 4	3	4, 6	3
10111837-V040001LF	X4 SAS CABLE ASSEMBLY	30 AWG	4M	2, 4	3	4, 6	3
10111837-P010001LF	X4 SAS CABLE ASSEMBLY	28 AWG	1M	2, 4	3	4, 6	3
10111837-P020001LF	X4 SAS CABLE ASSEMBLY	28 AWG	2M	2, 4	3	4, 6	3
10111837-P030001LF	X4 SAS CABLE ASSEMBLY	28 AWG	3M	2, 4	3	4, 6	3
10111837-P040001LF	X4 SAS CABLE ASSEMBLY	28 AWG	4M	2, 4	3	4, 6	3
10111837-P050001LF	X4 SAS CABLE ASSEMBLY	28 AWG	5M	2, 4	3	4, 6	3
10111837-P060001LF	X4 SAS CABLE ASSEMBLY	28 AWG	6M	2, 4	3	4, 6	3
10111837-N040001LF	X4 SAS CABLE ASSEMBLY	26 AWG	4M	2, 4	3	4, 6	3
10111837-N050001LF	X4 SAS CABLE ASSEMBLY	26 AWG	5M	2, 4	3	4, 6	3
10111837-N060001LF	X4 SAS CABLE ASSEMBLY	26 AWG	6M	2, 4	3	4, 6	3
10111837-N070001LF	X4 SAS CABLE ASSEMBLY	26 AWG	7M	2, 4	3	4, 6	3
10111837-N080001LF	X4 SAS CABLE ASSEMBLY	26 AWG	8M	2, 4	3	4, 6	3
10111837-V010002LF	X4 SAS CABLE ASSEMBLY	30 AWG	1M	2, 4, 6	3	2, 4, 6	3
10111837-V020002LF	X4 SAS CABLE ASSEMBLY	30 AWG	2M	2, 4, 6	3	2, 4, 6	3
10111837-V030002LF	X4 SAS CABLE ASSEMBLY	30 AWG	3M	2, 4, 6	3	2, 4, 6	3
10111837-V040002LF	X4 SAS CABLE ASSEMBLY	30 AWG	4M	2, 4, 6	3	2, 4, 6	3
10111837-P005002LF	X4 SAS CABLE ASSEMBLY	28 AWG	0.5M	2, 4, 6	3	2, 4, 6	3
10111837-P010002LF	X4 SAS CABLE ASSEMBLY	28 AWG	1M	2, 4, 6	3	2, 4, 6	3
10111837-P020002LF	X4 SAS CABLE ASSEMBLY	28 AWG	2M	2, 4, 6	3	2, 4, 6	3
10111837-P030002LF	X4 SAS CABLE ASSEMBLY	28 AWG	3M	2, 4, 6	3	2, 4, 6	3
10111837-P040002LF	X4 SAS CABLE ASSEMBLY	28 AWG	4M	2, 4, 6	3	2, 4, 6	3
10111837-P050002LF	X4 SAS CABLE ASSEMBLY	28 AWG	5M	2, 4, 6	3	2, 4, 6	3
10111837-P060002LF	X4 SAS CABLE ASSEMBLY	28 AWG	6M	2, 4, 6	3	2, 4, 6	3
10111837-N040002LF	X4 SAS CABLE ASSEMBLY	26 AWG	4M	2, 4, 6	3	2, 4, 6	3
10111837-N050002LF	X4 SAS CABLE ASSEMBLY	26 AWG	5M	2, 4, 6	3	2, 4, 6	3
10111837-N060002LF	X4 SAS CABLE ASSEMBLY	26 AWG	6M	2, 4, 6	3	2, 4, 6	3
10111837-N070002LF	X4 SAS CABLE ASSEMBLY	26 AWG	7M	2, 4, 6	3	2, 4, 6	3
10111837-N080002LF	X4 SAS CABLE ASSEMBLY	26 AWG	8M	2, 4, 6	3	2, 4, 6	3

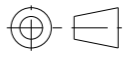

dr	Deborah Ingram	2010/02/09	projection 	size A3	scale 1:1
eng	Tommy Lin	2014/01/14			
chr	-	-			
appr	Roger Cheng	2014/01/14			
product family			C&A	ecn no	ELX-N-16725-1
rel level			Released		
 Mini SAS 2.1 TRAINED CABLE ASSEMBLY		title Mini SAS 2.1 TRAINED CABLE ASSEMBLY	dwg no 10111837	rev C	
www.fci.com	cat. no.	-	Product - Customer Drw	sheet 3 of 6	



Copyright FCI.

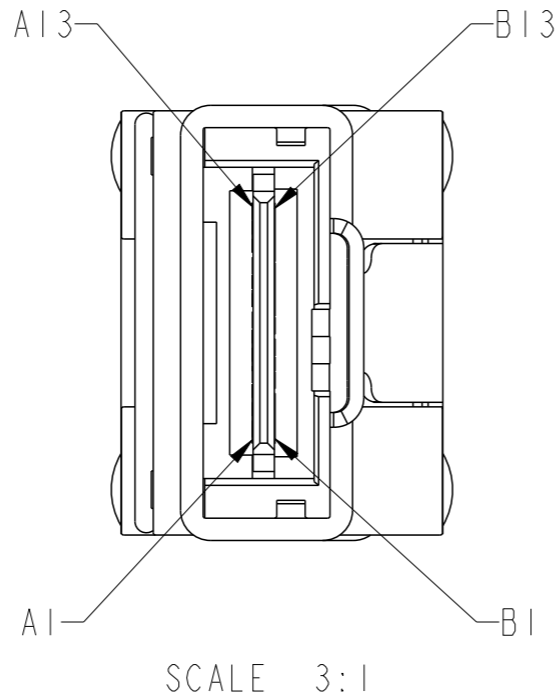
MINI SAS 2.1 TRAINED CABLE ASSEMBLY (NON-HF)

PRODUCT NUMBER SEE NOTE 4	DESCRIPTION	GAUGE	"DIM L" LENGTH	END P1		END P2	
				KEY SLOT	KEY	KEY SLOT	KEY
10111837-W010001LF	X4 SAS CABLE ASSEMBLY	30 AWG	1M	2, 4	3	4, 6	3
10111837-W020001LF	X4 SAS CABLE ASSEMBLY	30 AWG	2M	2, 4	3	4, 6	3
10111837-W030001LF	X4 SAS CABLE ASSEMBLY	30 AWG	3M	2, 4	3	4, 6	3
10111837-W040001LF	X4 SAS CABLE ASSEMBLY	30 AWG	4M	2, 4	3	4, 6	3
10111837-T010001LF	X4 SAS CABLE ASSEMBLY	28 AWG	1M	2, 4	3	4, 6	3
10111837-T020001LF	X4 SAS CABLE ASSEMBLY	28 AWG	2M	2, 4	3	4, 6	3
10111837-T030001LF	X4 SAS CABLE ASSEMBLY	28 AWG	3M	2, 4	3	4, 6	3
10111837-T040001LF	X4 SAS CABLE ASSEMBLY	28 AWG	4M	2, 4	3	4, 6	3
10111837-T050001LF	X4 SAS CABLE ASSEMBLY	28 AWG	5M	2, 4	3	4, 6	3
10111837-T060001LF	X4 SAS CABLE ASSEMBLY	28 AWG	6M	2, 4	3	4, 6	3
10111837-S040001LF	X4 SAS CABLE ASSEMBLY	26 AWG	4M	2, 4	3	4, 6	3
10111837-S050001LF	X4 SAS CABLE ASSEMBLY	26 AWG	5M	2, 4	3	4, 6	3
10111837-S060001LF	X4 SAS CABLE ASSEMBLY	26 AWG	6M	2, 4	3	4, 6	3
10111837-S070001LF	X4 SAS CABLE ASSEMBLY	26 AWG	7M	2, 4	3	4, 6	3
10111837-S080001LF	X4 SAS CABLE ASSEMBLY	26 AWG	8M	2, 4	3	4, 6	3
10111837-R060001LF	X4 SAS CABLE ASSEMBLY	24 AWG	6M	2, 4	3	4, 6	3
10111837-R070001LF	X4 SAS CABLE ASSEMBLY	24 AWG	7M	2, 4	3	4, 6	3
10111837-R080001LF	X4 SAS CABLE ASSEMBLY	24 AWG	8M	2, 4	3	4, 6	3
10111837-R090001LF	X4 SAS CABLE ASSEMBLY	24 AWG	9M	2, 4	3	4, 6	3
10111837-R100001LF	X4 SAS CABLE ASSEMBLY	24 AWG	10M	2, 4	3	4, 6	3
10111837-W010002LF	X4 SAS CABLE ASSEMBLY	30 AWG	1M	2, 4, 6	3	2, 4, 6	3
10111837-W020002LF	X4 SAS CABLE ASSEMBLY	30 AWG	2M	2, 4, 6	3	2, 4, 6	3
10111837-W030002LF	X4 SAS CABLE ASSEMBLY	30 AWG	3M	2, 4, 6	3	2, 4, 6	3
10111837-W040002LF	X4 SAS CABLE ASSEMBLY	30 AWG	4M	2, 4, 6	3	2, 4, 6	3
10111837-T010002LF	X4 SAS CABLE ASSEMBLY	28 AWG	1M	2, 4, 6	3	2, 4, 6	3
10111837-T020002LF	X4 SAS CABLE ASSEMBLY	28 AWG	2M	2, 4, 6	3	2, 4, 6	3
10111837-T030002LF	X4 SAS CABLE ASSEMBLY	28 AWG	3M	2, 4, 6	3	2, 4, 6	3
10111837-T040002LF	X4 SAS CABLE ASSEMBLY	28 AWG	4M	2, 4, 6	3	2, 4, 6	3
10111837-T050002LF	X4 SAS CABLE ASSEMBLY	28 AWG	5M	2, 4, 6	3	2, 4, 6	3
10111837-T060002LF	X4 SAS CABLE ASSEMBLY	28 AWG	6M	2, 4, 6	3	2, 4, 6	3
10111837-S040002LF	X4 SAS CABLE ASSEMBLY	26 AWG	4M	2, 4, 6	3	2, 4, 6	3
10111837-S050002LF	X4 SAS CABLE ASSEMBLY	26 AWG	5M	2, 4, 6	3	2, 4, 6	3
10111837-S060002LF	X4 SAS CABLE ASSEMBLY	26 AWG	6M	2, 4, 6	3	2, 4, 6	3
10111837-S070002LF	X4 SAS CABLE ASSEMBLY	26 AWG	7M	2, 4, 6	3	2, 4, 6	3
10111837-S080002LF	X4 SAS CABLE ASSEMBLY	26 AWG	8M	2, 4, 6	3	2, 4, 6	3
10111837-R060002LF	X4 SAS CABLE ASSEMBLY	24 AWG	6M	2, 4, 6	3	2, 4, 6	3
10111837-R070002LF	X4 SAS CABLE ASSEMBLY	24 AWG	7M	2, 4, 6	3	2, 4, 6	3
10111837-R080002LF	X4 SAS CABLE ASSEMBLY	24 AWG	8M	2, 4, 6	3	2, 4, 6	3
10111837-R090002LF	X4 SAS CABLE ASSEMBLY	24 AWG	9M	2, 4, 6	3	2, 4, 6	3
10111837-R100002LF	X4 SAS CABLE ASSEMBLY	24 AWG	10M	2, 4, 6	3	2, 4, 6	3

dr	Deborah Ingram	2010/02/09	projection 	size A3	scale 1:1
eng	Tommy Lin	2014/01/14			
chr	-	-			
appr	Roger Cheng	2014/01/14			
product family			C&A	rel level	Released
 title Mini SAS 2.1 TRAINED CABLE ASSEMBLY			dwg no 10111837	rev C	
www.fci.com		cat. no.	-	Product - Customer Drw	
			sheet 4 of 6		



Copyright FCI.



WIRING LIST (SEE NOTE 7)

GND	A1	—	B1	GND
Rx 0+	A2	←	B2	Tx 0+
Rx 0-	A3	←	B3	Tx 0-
GND	A4	—	B4	GND
Rx 1+	A5	←	B5	Tx 1+
Rx 1-	A6	←	B6	Tx 1-
GND	A7	—	B7	GND
Rx 2+	A8	←	B8	Tx 2+
Rx 2-	A9	←	B9	Tx 2-
GND	A10	—	B10	GND
Rx 3+	A11	←	B11	Tx 3+
Rx 3-	A12	←	B12	Tx 3-
GND	A13	—	B13	GND
GND	B1	—	A1	GND
Tx 0+	B2	→	A2	Rx 0+
Tx 0-	B3	→	A3	Rx 0-
GND	B4	—	A4	GND
Tx 1+	B5	→	A5	Rx 1+
Tx 1-	B6	→	A6	Rx 1-
GND	B7	—	A7	GND
Tx 2+	B8	→	A8	Rx 2+
Tx 2-	B9	→	A9	Rx 2-
GND	B10	—	A10	GND
Tx 3+	B11	→	A11	Rx 3+
Tx 3-	B12	→	A12	Rx 3-
GND	B13	—	A13	GND

P1

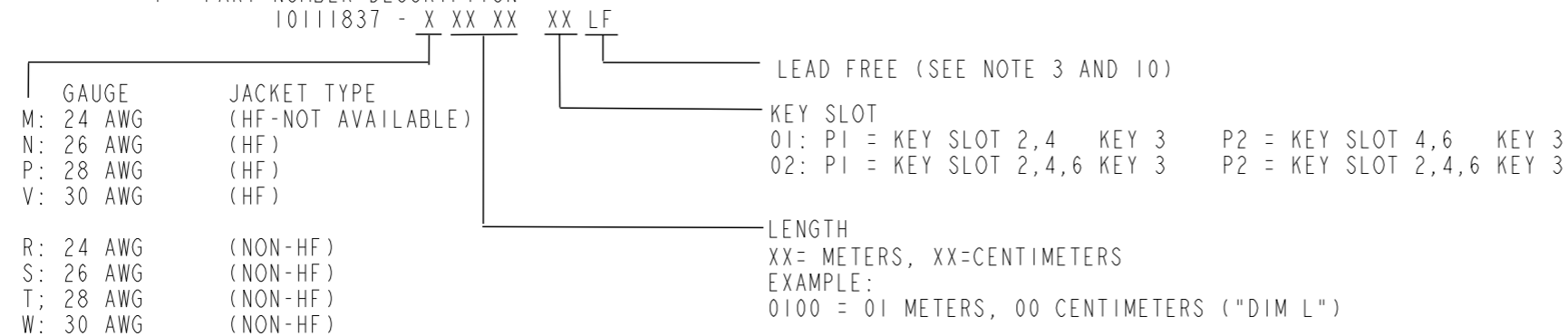
P2

dr	Deborah Ingram	2010/02/09	projection	MM	size	A3	scale	4:1
eng	Tommy Lin	2014/01/14			ecn no			
chr	-	-			ELX-N-16725-1			
appr	Roger Cheng	2014/01/14	product family	C&A	rel level			
					Released			
		title Mini SAS 2.1 TRAINED CABLE ASSEMBLY			dwg no 10111837		rev C	
www.fci.com		cat. no.		-		Product - Customer Drw		sheet 5 of 6

NOTES:

- ① - MATERIAL:
BACKSHELLS: ZINC DIECAST
PULL TAB: MOLDED THERMOPLASTIC
LATCH: STAINLESS STEEL
JET MELT: POLYAMIDE POLYMER
- 2 - ELECTRICAL PERFORMANCE PER CURRENT REVISION
OF SERIAL ATTACHED SCSI - 2.1 (SAS-2.1) T10/2125-D
- ③ - THIS PRODUCT MEETS THE RESTRICTION OF HAZARDOUS SUBSTANCES IN
ELECTRICAL AND ELECTRONIC EQUIPMENT (RoHS) DIRECTIVE (2011/65/EU)

4 - PART NUMBER DESCRIPTION



- ⑤ - UNLESS OTHERWISE SPECIFIED ASSEMBLED LENGTH TOLERANCE IS TO BE:
"DIM L" < 1 METER = ± 25.0mm
"DIM L" = 1 METER TO 10 METERS = ± 2% OF "DIM L"
"DIM L" > 10 METERS = +0.00/-4% OF "DIM L"
- ⑥ UNLESS OTHERWISE SPECIFIED LABEL POSITION IS TO BE 50mm FROM REAR OF CONNECTOR.
LABEL DETAILS:
MANUFACTURER CODE OR NAME COUNTRY ORIGIN
FCI P/N
FCI CUSTOMER DRAWING REVISION
DATE CODE (YY/MM/DD FORMAT) - SERIAL NUMBER

LABEL EXAMPLE



(EACH PRODUCT NUMBER MUST HAVE IT'S OWN SERIAL NUMBER)
FONT SHALL BE CLEARLY VISIBLE AND BLACK IN COLOR.

- ⑦ - ALL CABLE ASSEMBLIES SHALL BE 100% TESTED FOR CONTINUITY AS DEFINED IN WIRING LIST.
- 8 - UNLESS OTHERWISE SPECIFIED ALL CABLE ASSEMBLIES SHALL BE 100% HI-POT TESTED BY APPLYING
300V DC FOR A MINIMUM OF 10ms, UNLESS ACTIVE COMPONENTS ARE USED IN THIS ASSEMBLY.
- 9 - OTHER TESTING PERFORMED AS REQUIRED BY PRODUCT SPECIFICATION: GS-12-548.
- ⑩ - PACKAGING OF LEAD FREE PRODUCTS MEETS LABELING AND PACKAGING PER SPECIFICATION GS-14-920.
PACKAGE CABLE ASSEMBLIES PER GS-14-1272.
- ⑪ - THIS DIMENSION IS A FINISHED PRODUCT LENGTH.
- ⑫ CABLE IS OPTIONAL, WHICH HAD BEEN QUALIFIED BY FCI AND MEET FCI PRODUCT SPEC. GS-12-651.



dr	Deborah Ingram	2010/02/09	projection 	MM ←→	size	A3	scale	1:1
eng	Tommy Lin	2014/01/14			ecn no	ELX-N-16725-1		
chr	-	-			rel level	Released		
appr	Roger Cheng	2014/01/14	product family	C&A		rev	C	
www.fci.com		cat. no.	-		Product - Customer Drw	sheet 6 of 6		



Copyright FCI.