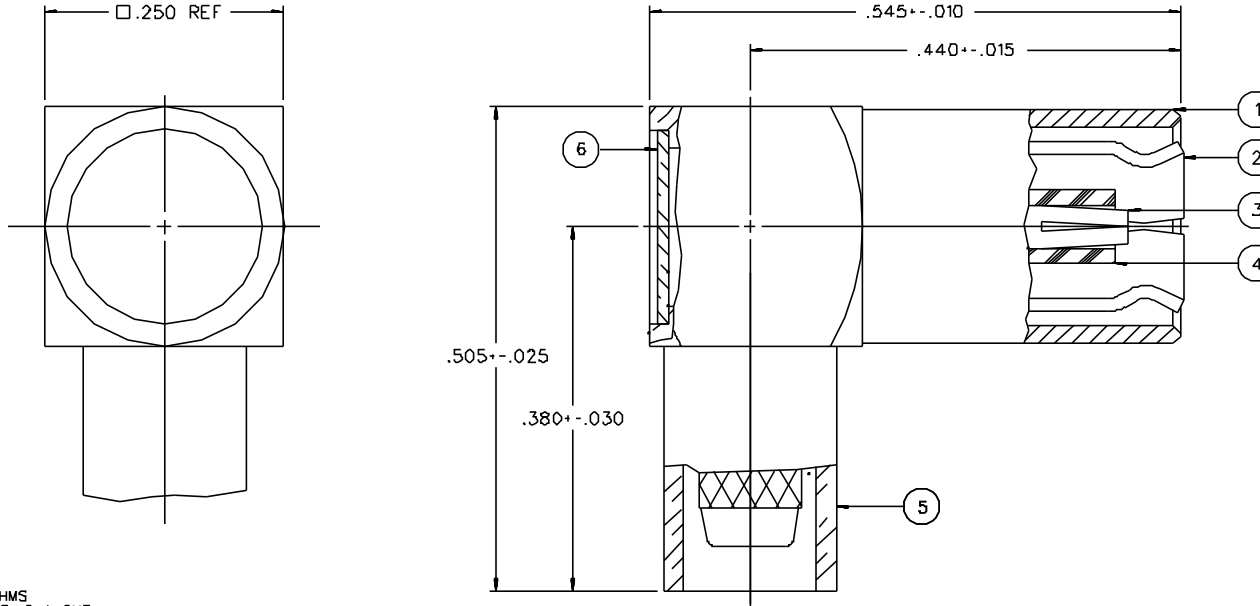


PART NUMBER	ITEM ① BODY	ITEM ② INTERFACE	ITEM ③ CONTACT	ITEM ④ INSULATOR	ITEM ⑤ CRIMP SLEEVE	ITEM ⑥ END CAP
131-3404-101	BRASS GOLD PL .00001 MIN OVER NICKEL PL .00005 MIN OVER COPPER PL .00005 MIN	BERYLLIUM COPPER GOLD PL .00003 MIN OVER NICKEL PL .00005 MIN OVER COPPER PL .00005 MIN	BERYLLIUM COPPER GOLD PL .00003 MIN OVER NICKEL PL .00005 MIN OVER COPPER PL .00005 MIN	TEFLON	COPPER GOLD PL .00001 MIN OVER NICKEL PL .00005 MIN OVER COPPER PL .00005 MIN	BRASS GOLD PL .00001 MIN OVER NICKEL PL .00005 MIN OVER COPPER PL .00005 MIN
131-3404-106	BRASS NICKEL PL .0001 MIN OVER COPPER PL .00005 MIN	BERYLLIUM COPPER GOLD PL .00003 MIN OVER NICKEL PL .00005 MIN OVER COPPER PL .00005 MIN	BERYLLIUM COPPER GOLD PL .00003 MIN OVER NICKEL PL .00005 MIN OVER COPPER PL .00005 MIN	TEFLON	COPPER NICKEL PL .0001 MIN OVER COPPER PL .00005 MIN	BRASS NICKEL PL .0001 MIN OVER COPPER PL .00005 MIN
131-3404-116	BRASS NICKEL PL .0001 MIN OVER COPPER PL .00005 MIN	BERYLLIUM COPPER NICKEL PL .0001 MIN OVER COPPER PL .00005 MIN	BERYLLIUM COPPER GOLD PL .00003 MIN OVER NICKEL PL .00005 MIN OVER COPPER PL .00005 MIN	TEFLON	COPPER NICKEL PL .0001 MIN OVER COPPER PL .00005 MIN	BRASS NICKEL PL .0001 MIN OVER COPPER PL .00005 MIN



NOTES:

1. SPECIFICATIONS:

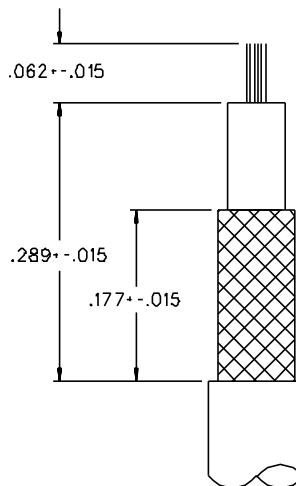
IMPEDANCE: 50 OHMS  
 FREQUENCY RANGE: 0-4 GHZ  
 VSWR: 1.35+.04 F (F IN GHZ) (50 OHM CABLE ONLY)  
 WORKING VOLTAGE: 335 VRMS MAX AT SEA LEVEL  
 DIELECTRIC WITHSTANDING VOLTAGE: 1000 VRMS MIN AT SEA LEVEL  
 INSULATION RESISTANCE: 1000 MEGOHM MIN  
 CONTACT RESISTANCE:  
 CENTER CONTACT - INITIAL 12 MILLIOHM MAX, AFTER ENVIRONMENTAL 16 MILLIOHM MAX  
 OUTER CONDUCTOR - GOLD PLATED INITIAL 1 MILLIOHM MAX, AFTER ENVIRONMENTAL 1.5 MILLIOHM MAX  
 NICKEL PLATED INITIAL 2.5 MILLIOHM MAX, AFTER ENVIRONMENTAL 3.5 MILLIOHM MAX  
 BRAID TO BODY - 1 MILLIOHM MAX (GOLD PLATED), AFTER ENVIRONMENTAL NOT APPLICABLE  
 2.5 MILLIOHM MAX (NICKEL PLATED), AFTER ENVIRONMENTAL NOT APPLICABLE  
 CORONA LEVEL: 250 VOLTS MIN AT 70,000 FEET  
 INSERTION LOSS: .60 DB MAX AT 1.5 GHZ (50 OHM CABLE ONLY)  
 RF LEAKAGE: -.55 DB MIN AT 2.5 GHZ (50 OHM CABLE ONLY)  
 RF HIGH POTENTIAL WITHSTANDING VOLTAGE: 700 VRMS MIN AT 4 AND 7 MHZ

MECHANICAL:

ENGAGE/DISENGAGE FORCE: INITIAL 14 LBS MAX, AFTER DURABILITY 14 LBS MAX  
 ENGAGEMENT/2 LBS MIN DISENGAGEMENT  
 MATING TORQUE: NOT APPLICABLE  
 COUPLING PROOF TORQUE: NOT APPLICABLE  
 COUPLING NUT RETENTION: NOT APPLICABLE  
 CONTACT RETENTION: 4 LBS MIN AXIAL FORCE  
 CABLE ACCEPTABILITY: RG 316/U DOUBLE SHIELDED, RG 179 DOUBLE SHIELDED  
 RG 188/U DOUBLE SHIELDED, RG 187 DOUBLE SHIELDED  
 CABLE HEX CRIMP SIZE: .151  
 CABLE RETENTION: 20 LBS MIN OR CABLE BREAKING STRENGTH  
 DURABILITY: 500 CYCLES MIN

ENVIRONMENTAL:

(MEETS OR EXCEEDS THE APPLICABLE PARAGRAPH OF MIL-C-39012)  
 THERMAL SHOCK: MIL-STD-202, METHOD 107, CONDITION B  
 OPERATING TEMPERATURE: -65 DEG C TO 165 DEG C  
 CORROSION: MIL-STD-202, METHOD 101, CONDITION B  
 SHOCK: MIL-STD-202, METHOD 213, CONDITION B  
 VIBRATION: MIL-STD-202, METHOD 204, CONDITION B



CABLE STRIP DIMENSIONS

DRAWING NO. C - 131-3404-101/120	
0 REVISIONS	
ENGINEERING RELEASE	
1	10-7-87 E RJB AAW 10-30-87 ECO 23080
VERSION UPDATE	
2	8-9-90 E J B A W 8-10-90 ECO 24817
VERSION UPDATE	
3	6-24-92 R H H H H 7-13-92 H B B B B ECO 41079
ADDED: (50 OHM CABLE ONLY) TO VSWR, INSERTION LOSS AND RF LEAK SPECS. AFTER ENVIRONMENTAL... TO BRAID TO BODY, RG 179 DS AND RG 187DS TO CABLE ACCEPTABILITY	
4	4-1-93 R H H H H 4-14-93 H K K B H ECO 41755
VERSION UPDATE	
* REVISION NUMBER FOLLOWED BY AN ALPHA * * CHARACTER INDICATES DRAWING CLASS * * CATION OR PART NUMBER ADDITION ONLY *	
4g	4-21-94 R H H H H 5-10-94 H A A B H ECN 42376
CHANGED: UPDATED GRAPHICS	
5	11-18-96 R S I I R I A 4-4289 H W A B B ECN 44289
CHANGED: .505+-.025 WAS .534+-.025, .380+-.030 WAS .400+-.030, .289+-.015 WAS .312+-.015, .177+-.015 WAS .218+-.015, UPDATED GRAPHICS DELETED: DIA .530 MAX ADDED: DIA .250+-.010	
6	2-25-00 R H H H H ECN 46867 H K K B H

CUSTOMER DRAWING

THIS DRAWING TO BE ENTERPRETED PER ANSII 14.5M - 1982

"μSTATION"

COMPANY CONFIDENTIAL

TOLERANCE UNLESS OTHERWISE SPECIFIED	DRAWN BY EJ	DATE 7-27-88	JOHNSON Cinch Connectivity Solutions 299 Johnson Ave. Ste. 100 Waseca, MN 56093 1-800-247-8256	
DECIMALS .XX	CHECKED BY	DATE	TITLE PLUG ASSEMBLY RA CABLED SMB, RG 316 DOUBLE SHIELDED	CODE NO.
.XXX	APPROVED BY	DATE	DRAWING NO. C - 131-3404-101/120	SCALE 10:1
MATL	APPROVED BY RJB	DATE 10-23-87	U/N INCH	SHEET 2 OF 2
FINISH	RELEASE DATE	10-30-87		