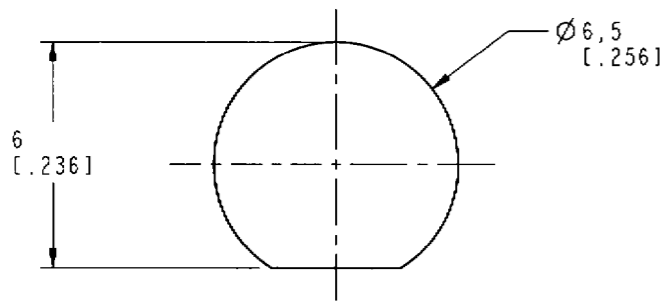
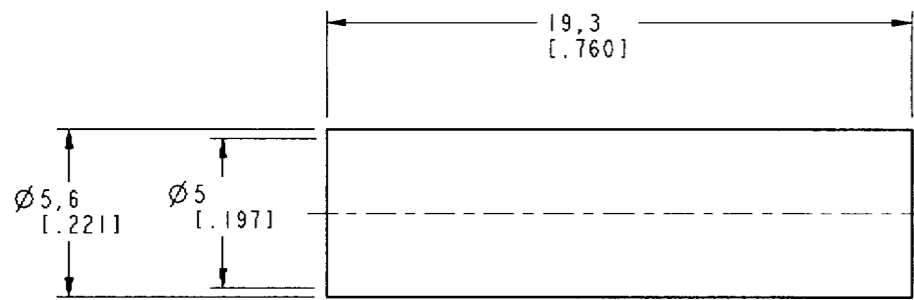
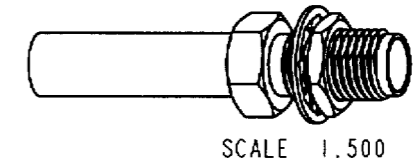


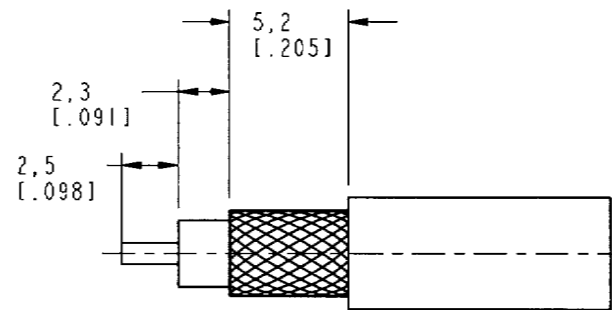
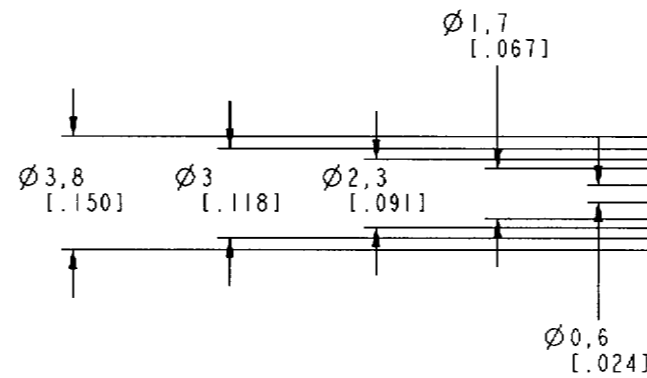
NOTES:

- MATERIALS OF CONSTRUCTION:
 BODY & NUT = BRASS (QQ-B-626), NICKEL PLATED
 CONTACT PIN = BeCu, GOLD PLATED
 LOCKWASHER = BRASS (QQ-B-613), NICKEL PLATED
 FERRULE = COPPER, NICKEL PLATED
 INSULATOR = TEFLON, MIL-P-19468
 HEAT SHRINK TUBING = COLOR BLACK
- CRIMPED FERRULE = HEX CRIMP SIZE .128

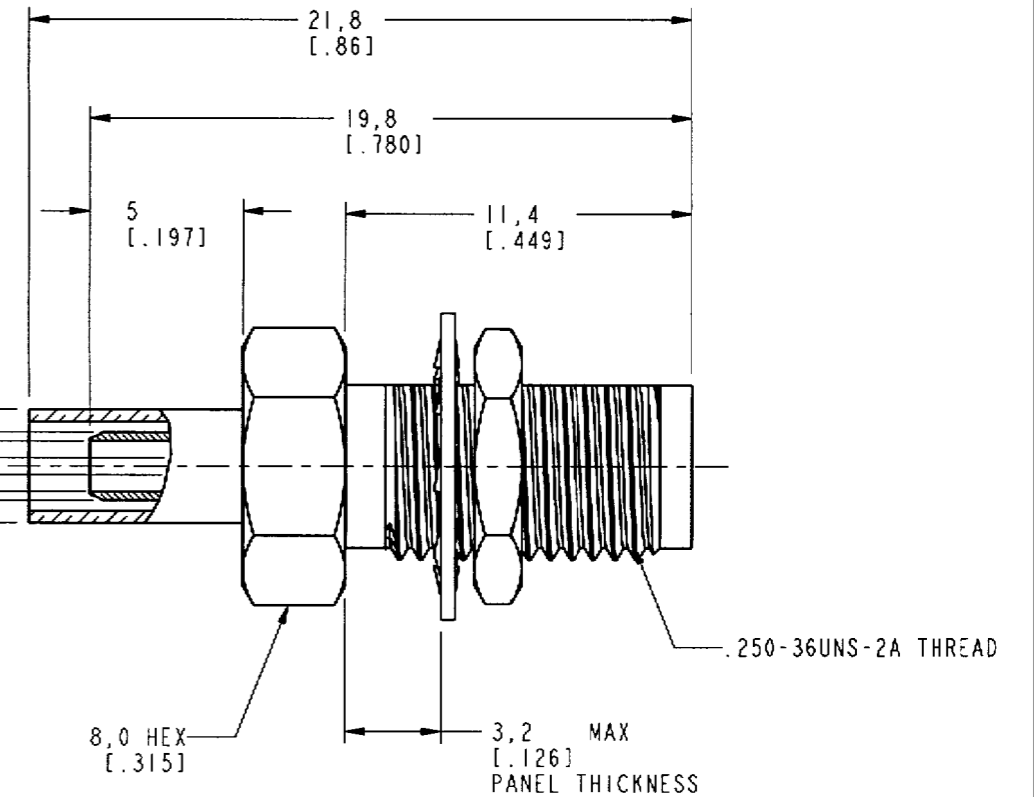
| | | | | |
|-------------------|-----|-----------------|---------|-------|
| 901-9879-RFX | | REVISIONS | | |
| DRAWING NO. | REV | DESCRIPTION | DATE | ECO |
| THIRD ANGLE PROJ. | A | RELEASE TO MFG. | 1-25-01 | 43650 |
| | | | | CPM |



RECOMMENDED MOUNTING HOLE DIMENSIONS
SCALE 5.000



RECOMMENDED CABLE STRIPPING DIMENSIONS
SCALE 3.000



CUSTOMER OUTLINE DRAWING FOR REFERENCE ONLY

| | | | | | | | |
|---|--|--------------------------------|------------------|--|--|-----------------------------|----------|
| UNLESS OTHERWISE SPECIFIED, DIMENSIONS ARE IN INCHES AND TOLERANCES ARE: 0.5 - 6mm ±0.2mm 6 - 30mm ±0.4mm 30 - 120mm ±0.6mm | MATERIAL | DRAWN C. McGRATH | DATE 01/05/01 | TITLE SMA BULKHEAD CRIMP JACK (FOR RG-174/U, 188A/U, 316/U CABLES) | Amphenol Amphenol Corporation Communication and Network Products Division Danbury, CT U.S.A. 06810 | | |
| | REFERENCE GEN# 901-10039-RFX_ASSY EAR 967689-0 | ENGINEER O. BARTHELMES | DATE 01/05/01 | | | SCALE: 4.0:1 SHEET 2 OF 2 | |
| NOTICE - These drawings, specifications, or other data (1) are, and remain the property of Amphenol Corp. (2) must be returned upon request; and (3) are confidential and not to be disclosed to any person other than those to whom they are given by Amphenol Corp. The furnishing of these drawings, specifications, or other data by Amphenol Corp., or to any other person to anyone for any purpose is not to be regarded by implication or otherwise in any manner licensing, granting rights or permitting such holder or any other person to manufacture, use or sell any product, process or design, patented or otherwise, that may in any way be related to or disclosed by said drawings, specifications, or other data. | | APPROVED <i>[Signature]</i> | DATE 1/25/01 | CODE ID 74868 | DWG SIZE B | DRAWING NO. 901-9879-RFX | REV A |