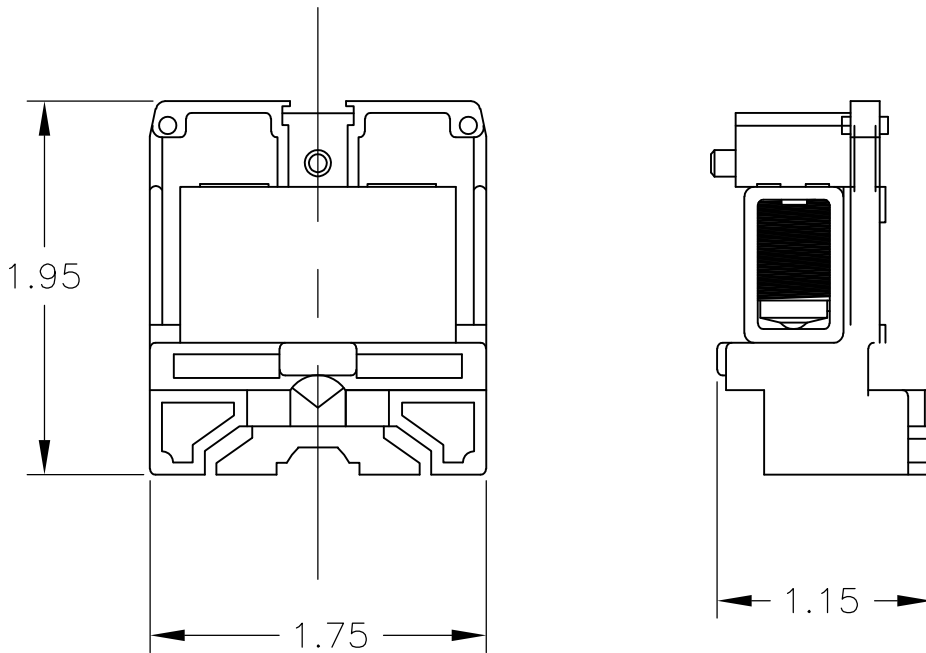


LOC	DIST	REVISIONS					
—	—	P	LTR	DESCRIPTION	DATE	DWN	APVD
			A	REDRAWN PER ECO-08-023052	30SEP08	HMR	SM

1 MATERIAL: NYLON



THIS DRAWING IS UNPUBLISHED. ALL INTERNATIONAL RIGHTS RESERVED. BY TYCO ELECTRONICS CORPORATION.

824-BU	1437395-3
814	1437395-2
CATALOG P/N	PART NUMBER

DIMENSIONS: INCHES TOLERANCES UNLESS OTHERWISE SPECIFIED: 0 PLC ± - 1 PLC ± - 2 PLC ± - 3 PLC ± .010 4 PLC ± - ANGLES ± -	DWN RAGHAVENDRA 30SEP08	MATERIAL 1	FINISH -
	CHK MACE SAM 30SEP08	Tyco Electronics Corporation Harrisburg, PA 17105-3608	
	APVD MACE SAM 30SEP08	NAME ASSEMBLY, TERMINAL BLOCK, NEMA DOVETAIL BASE, HEAVY DUTY, TUBULAR SCREW	
	PRODUCT SPEC -	SIZE A4	RESTRICTED TO -
	APPLICATION SPEC -	CAGE CODE 00779	
	WEIGHT -	DRAWING NO C-1437395-2	
CUSTOMER DRAWING		SCALE 1:1	REV A
		SHEET 1 OF 1	