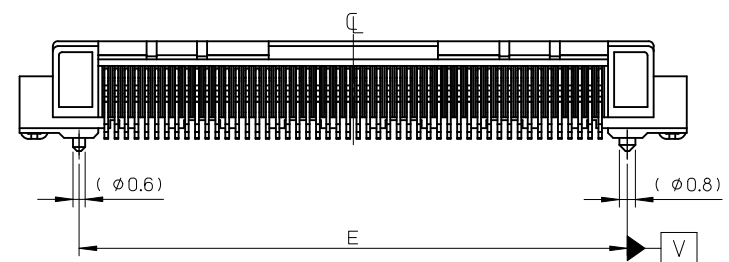


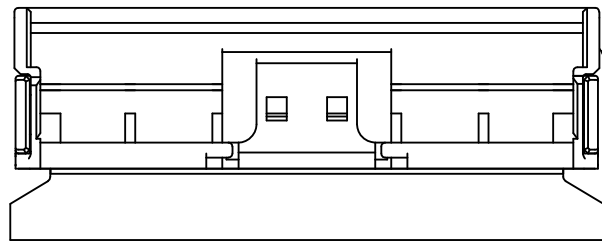
参考基板レイアウト  
P.C. BOARD PATTERN  
DIMENSION(REF.)  
(マウント面)  
(MOUNTING SIDE)



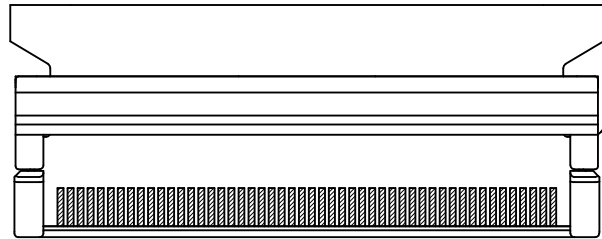
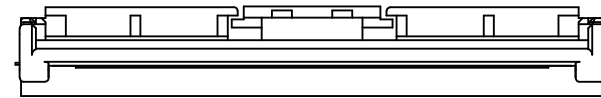
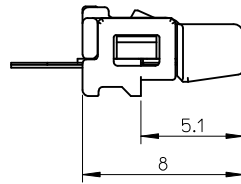
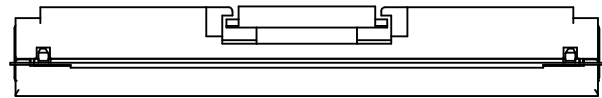
- 注記 1. 使用材料 MATERIAL
- ハウジング HOUSING : 液晶ポリマー (LCP), ガラス充填, UL94V-0 色: 黒色  
LIQUID CRYSTAL POLYMER(LCP), GLASS FILLED, UL94V-0 COLOR: BLACK
- ターミナル TERMINAL : 銅合金 (t=0.18)  
ニッケル下地 金メッキ (コンタクト, テール部)  
COPPER ALLOY(t=0.18), GOLD PLATING (CONTACT, TAIL AREA) OVER NICKEL PLATING.
- 金具 FITTING NAIL : 銅合金 (t=0.25)  
ニッケル下地 錫メッキ  
COPPER ALLOY(t=0.25), TIN OVER NICKEL PLATING.
- △ N=偶数に通用 (N:極数)  
APPLY FOR N=EVEN(CIRCUIT)
- △ 3 パターン剥離止め用金具  
FITTING NAIL FOR PREVENTION OF PEELING OF P.C.B PATTERN.
- △ 適合ジャケット: 501783-\*\*09  
製品詳細寸法はSD-501783-001を参照下さい。  
APPLICABLE JACKET: 501783-\*\*09.RE DETAILED DIMENSION, SEE SD-501783-001.
- △ 5 適合ジャケットカバー: 501784-\*\*09  
製品詳細寸法はSD-501784-001を参照下さい。  
APPLICABLE JACKET: 501784-\*\*09.RE DETAILED DIMENSION, SEE SD-501784-001.
6. ELV及びRoHS適合品  
ELV AND RoHS COMPLIANT

42.2	44.1	44.8	39.5	48.1	501864-8090	80
27.2	29.1	29.8	24.5	33.1	501864-5090	50
E	D	C	B	A	EMBOSSED PACKAGE	極数
オオーダー番号 ORDER NO.						CIRCUITS
CONNECTOR SERIES NO. 501864-**11						

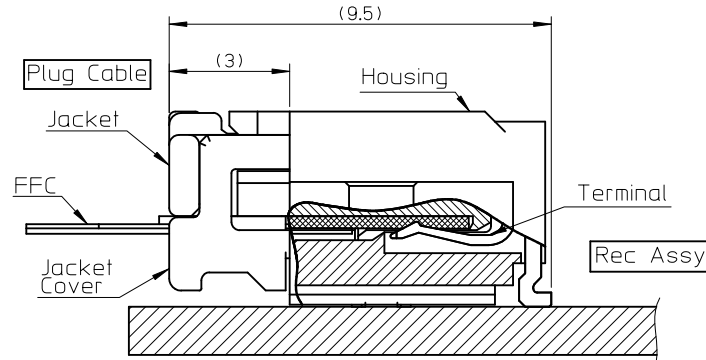
REVISED EC NO: J2010-1937 DRWN: YMORI CHKD: MATSUURA APPR: KMORIKAWA 2010/03/25 2010/03/25 2010/05/10	DESCRIPTION	GENERAL TOLERANCES (UNLESS SPECIFIED)		DIMENSION STYLE MM ONLY		SCALE //	DESIGN UNITS METRIC		THIRD ANGLE PROJECTION	
		10 UNDER	±0.2	DRAWN BY H. IJIMA	DATE 06/01/13	TITLE 0.5 FFC TO BOARD CONN REC. HSG ASSY(RA)				
		10 OVER 30 UNDER	±0.25	CHECKED BY K. TAKAHASHI	DATE 06/01/13	MOLEX INCORPORATED				
		30 OVER	±0.3	APPROVED BY H. HIRATA	DATE 06/01/13					
A	REV	ANGULAR ±1 ° DRAFT WHERE APPLICABLE MUST REMAIN WITHIN DIMENSIONS		MATERIAL NO. 501864-**11		DOCUMENT NO. SD-501864-001		SHEET NO. 1 OF 2		
SIZE A3 THIS DRAWING CONTAINS INFORMATION THAT IS PROPRIETARY TO MOLEX INCORPORATED AND SHOULD NOT BE USED WITHOUT WRITTEN PERMISSION										



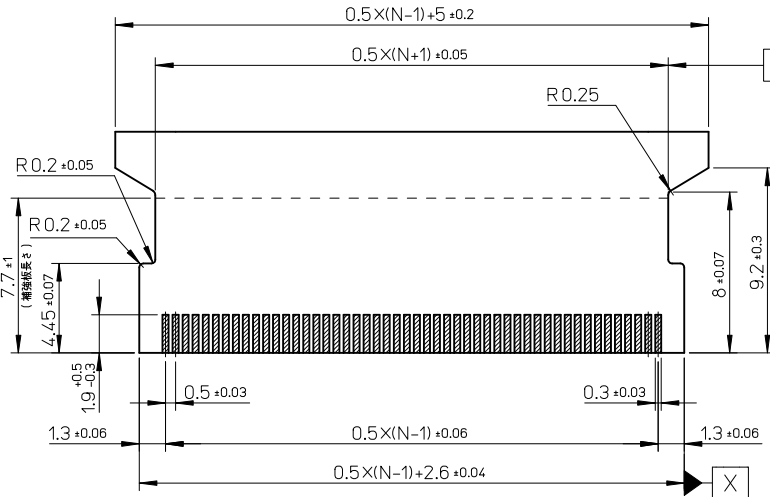
△ ジャケット  
4 JACKET



△ ジャケットカバー  
5 JACKET COVER



嵌合断面図



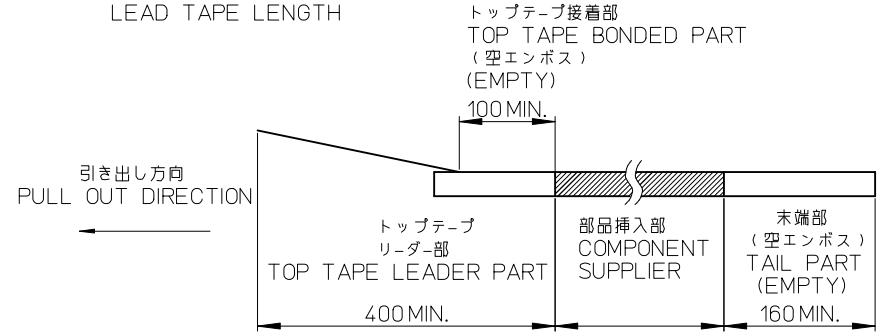
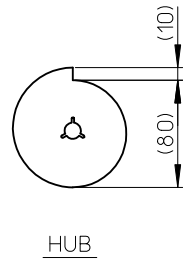
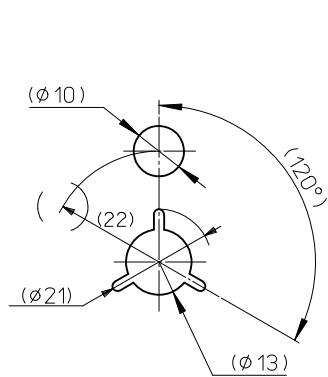
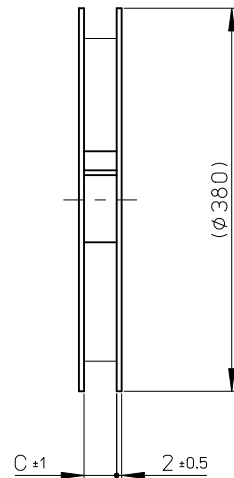
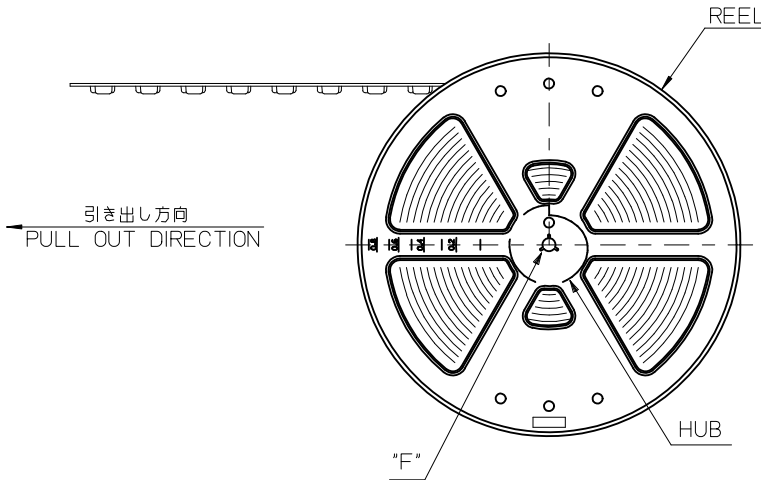
コネクタ接点部

適合FFC寸法  
APPLICABLE FFC  
RECOMMENDED DIMENSION  
(仕上がり厚さ: 接点部 $0.3 \pm 0.03$ )

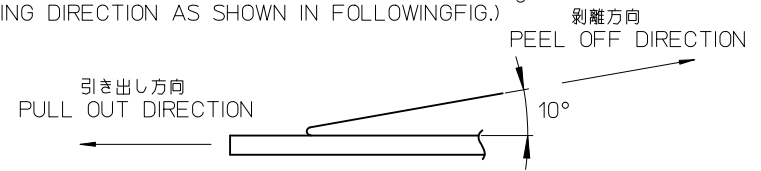
SEE SHEET 1 OF 2 EC NO: J2010-1937 DRAWN: YMORI CHKD: N. MATSUURA 2010/03/25 APPR: K. MORIKAWA 2010/05/10	GENERAL TOLERANCES (UNLESS SPECIFIED)		DIMENSION STYLE MM ONLY	SCALE //	DESIGN UNITS METRIC	THIRD ANGLE PROJECTION
	10 UNDER	± 0.2	DRAWN BY H. IJIMA	DATE 06/01/13	TITLE 0.5 FFC TO BOARD CONN REC. HSG ASSY(RA)	
	10 OVER 30 UNDER	± 0.25	CHECKED BY K. TAKAHASHI	DATE 06/01/13	MOLEX INCORPORATED	
	30 OVER	± 0.3	APPROVED BY H. HIRATA	DATE 06/01/13	MATERIAL NO. 501864-***11	DOCUMENT NO. SD-501864-001
ANGULAR ± 1 °		DRAFT WHERE APPLICABLE MUST REMAIN WITHIN DIMENSIONS		THIS DRAWING CONTAINS INFORMATION THAT IS PROPRIETARY TO MOLEX INCORPORATED AND SHOULD NOT BE USED WITHOUT WRITTEN PERMISSION		

**NOTES**

- 極包数量：900 個/リール  
NUMBER OF CONNECTORS:900 PCS/REEL
- リードテープ長さ  
LEAD TAPE LENGTH

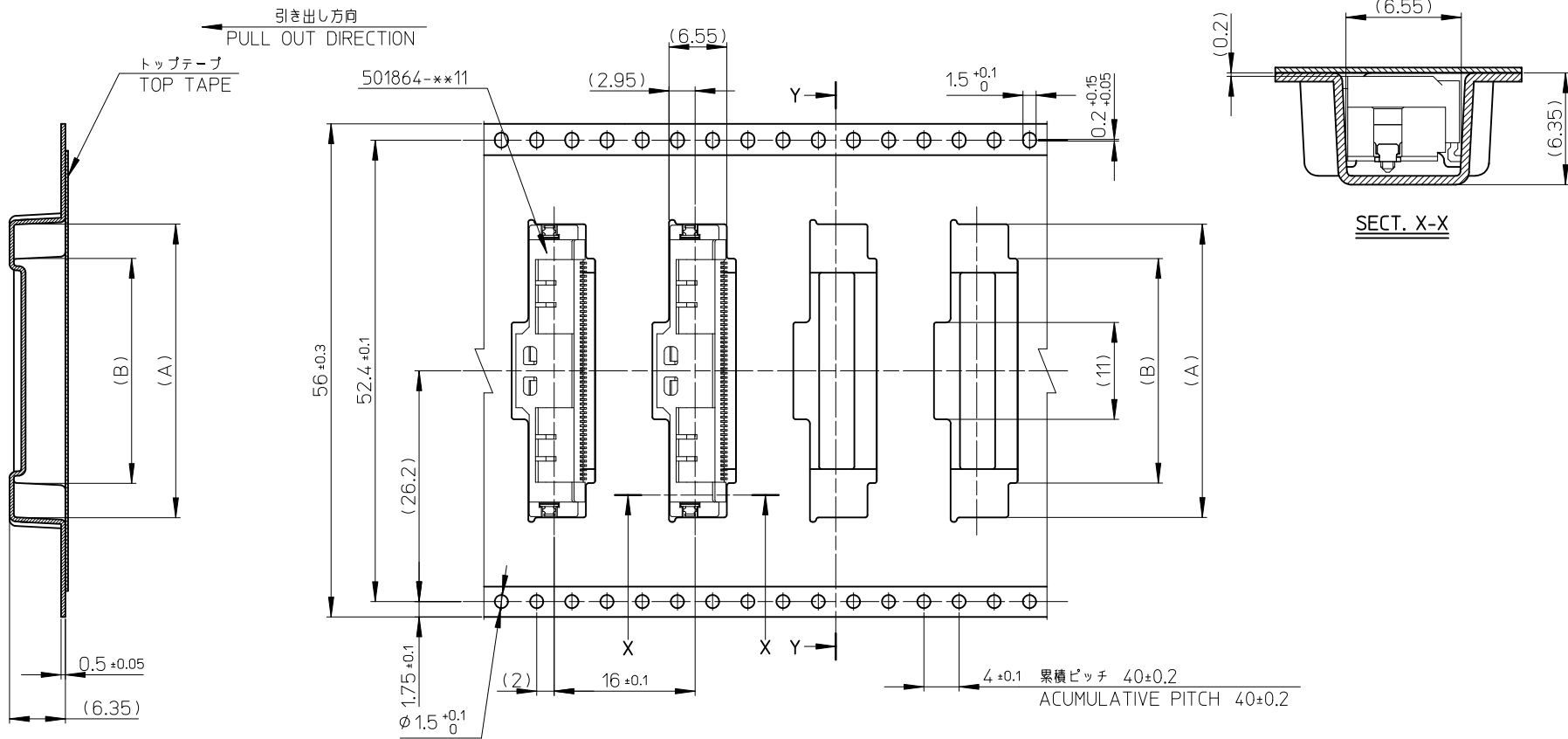


- トップテープの剥離強度：0.1~1.27N(10~130gf)  
(剥離方向は下図参照)  
剥離速度：300mm/MIN.(参考)  
PEEL-OFF FORCE OF TOP TAPE : 0.1~1.27N(10~130gf)  
(PEELING DIRECTION AS SHOWN IN FOLLOWINGFIG.)



- 製品詳細寸法については図面 SD-501864-001を参照下さい。  
RE DETAILED DIMENSION, SEE SD-501864-001.
- 材料(MATERIAL)  
キャリアテープ(CARRIER TAPE)：ポリスチレン(POLYSTYRENE)  
トップテープ(TOP TAPE)：PET, PE, PE  
リール(REEL)：ポリスチレン(POLYSTYRENE)
- ELV及びRoHS適合品  
ELV AND RoHS COMPLIANT

REVISED EC NO: J2010-1937 DRWN: YMORI CHKD: MATSUURA APPR: KMORIKAWA	2010/03/25 2010/03/25 2010/05/10	DESCRIPTION REV	GENERAL TOLERANCES (UNLESS SPECIFIED)		DIMENSION STYLE MM ONLY		SCALE ---	DESIGN UNITS METRIC	THIRD ANGLE PROJECTION	
			10 UNDER	±0.2	DRAWN BY H. IIJIMA	DATE 06/01/17	TITLE EMBSTP PKG FOR 0.5 FFC TO BOARD CONN RA TYPE			
			10 OVER 30 UNDER	±0.25	CHECKED BY K. TAKAHASHI	DATE 06/01/17	MOLEX INCORPORATED			
			30 OVER	±0.3	APPROVED BY H. HIRATA	DATE 06/01/17				
ANGULAR ±1°		DRAFT WHERE APPLICABLE MUST REMAIN WITHIN DIMENSIONS		MATERIAL NO. 501864-***90	DOCUMENT NO. SD-501864-003	SHEET NO. 1 OF 2				



SECT. Y-Y

56mm幅キャリアテープ  
56mm WIDTH CARRIER TAPE

56	57.4	25.5	33.3	501864-5090	50
キャリアテープ幅 CARRIER TAPE WIDTH	C	B	A	オーダー番号 ORDER NO.	極数 CKT

SEE SHEET 1 OF 2 EC NO: J2010-1937 DRWN: YMORI 2010/03/25 CHKD: MATSUURA 2010/03/25 APPR: KMORIKAWA 2010/05/10	DESCRIPTION REV	GENERAL TOLERANCES (UNLESS SPECIFIED)		DIMENSION STYLE MM ONLY		SCALE ---	DESIGN UNITS METRIC	THIRD ANGLE PROJECTION	
		10 UNDER	±0.2	DRAWN BY H. IJIMA	DATE 06/01/17	TITLE EMBSTP PKG FOR 0.5 FFC TO BOARD CONN RA TYPE			
		10 OVER 30 UNDER	±0.25	CHECKED BY K. TAKAHASHI	DATE 06/01/17	MOLEX INCORPORATED			
		30 OVER	±0.3	APPROVED BY H. HIRATA	DATE 06/01/17				
ANGULAR ±1 °		DRAFT WHERE APPLICABLE MUST REMAIN WITHIN DIMENSIONS		MATERIAL NO. 501864-**90	DOCUMENT NO. SD-501864-003	SHEET NO. 2 OF 2			
SIZE A3				THIS DRAWING CONTAINS INFORMATION THAT IS PROPRIETARY TO MOLEX INCORPORATED AND SHOULD NOT BE USED WITHOUT WRITTEN PERMISSION					