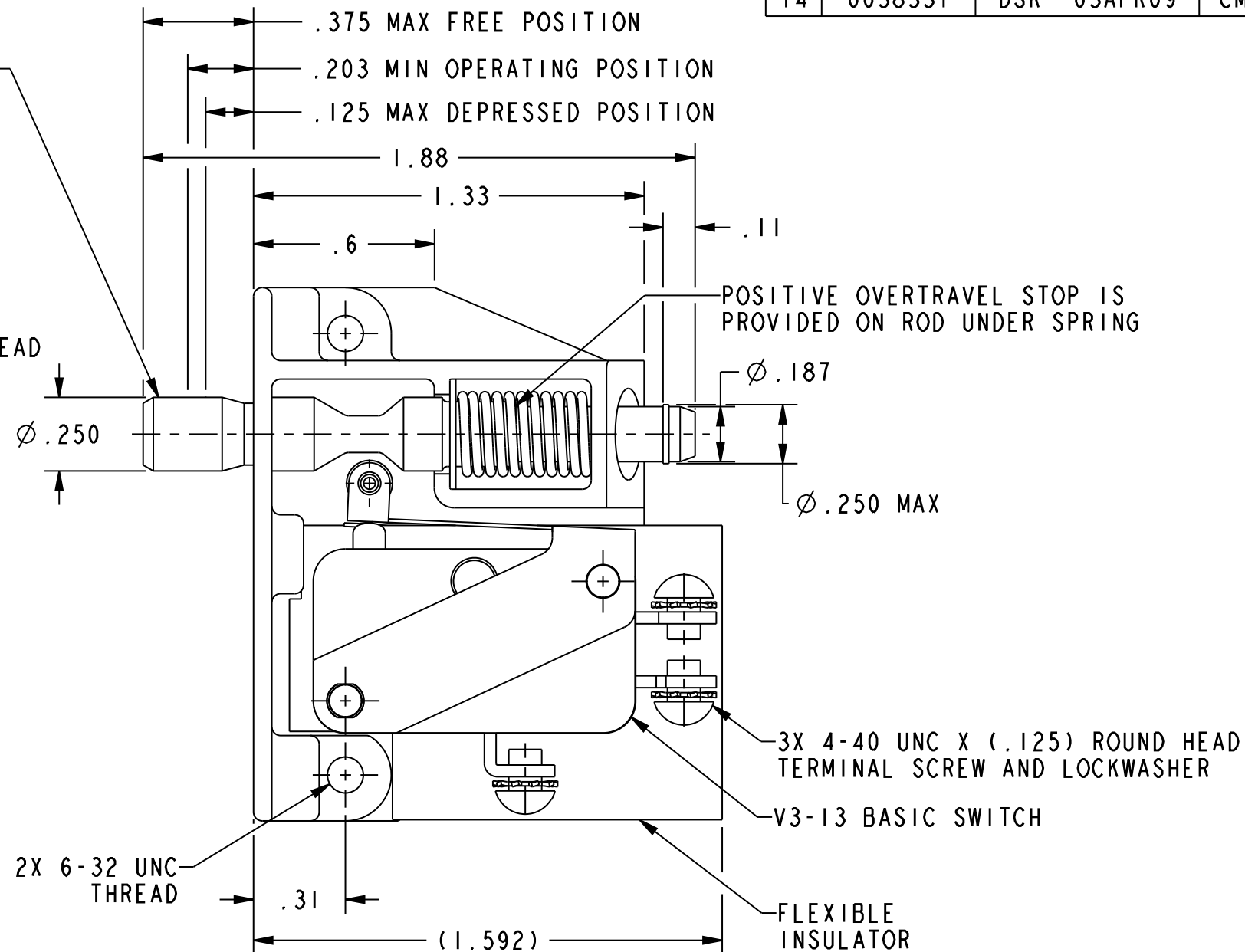
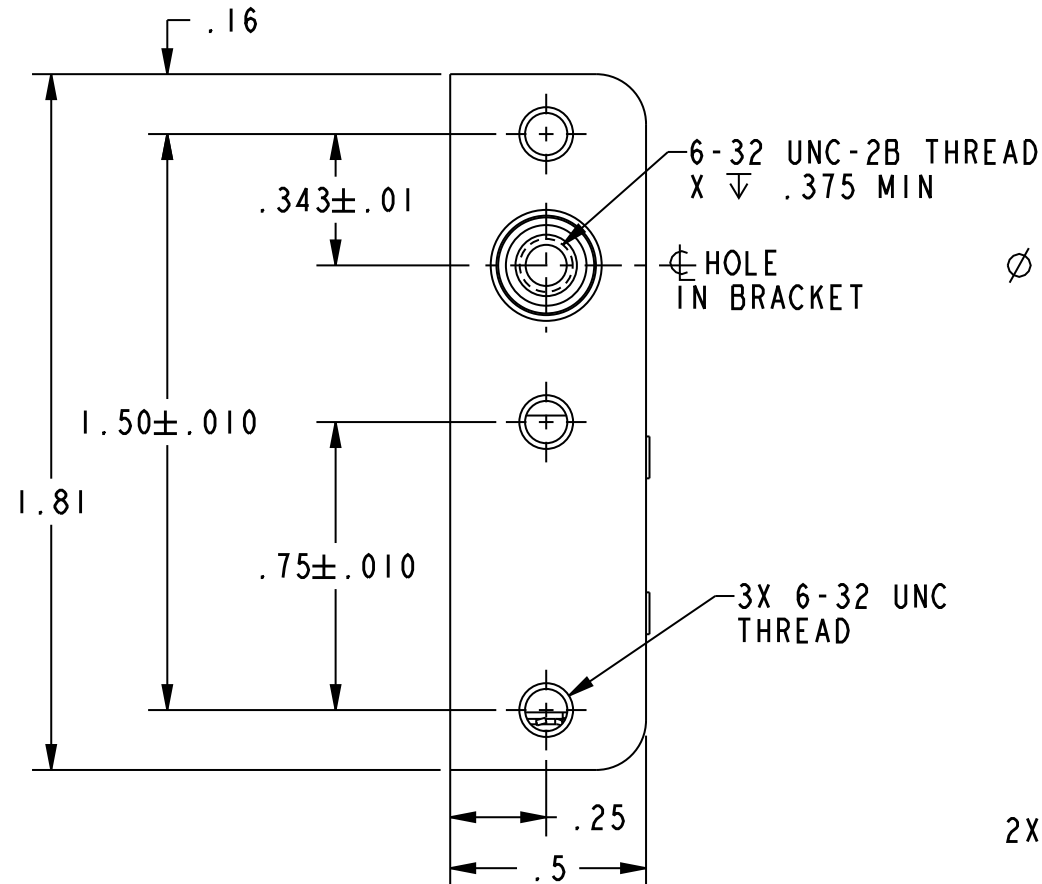


HONEYWELL PART NUMBER
3AC6
PRODUCT CODE
KC-C0070

REV	DOCUMENT	CHANGED BY	CHECK
14	0038331	DSK 03APR09	CMH

PUSH TO OPERATE-RETURNS AUTOMATICALLY TO POSITION SHOWN
 PULL TO OPERATE-REMAINS IN OPERATED POSITION UNTIL RESET FOR AUTOMATIC RETURN BY NEXT FULL STROKE "PUSH" OPERATION



- NOTES:
- 1 - NOTCH IN ACTUATOR ROD WILL PERMIT .035 DISPLACEMENT BETWEEN END OF ROD AND HOLE IN BRACKET
 - 2 - PLASTIC PARTS ARE MADE OF MINERAL FILLED PHENOLICS
 - 3 - WITH ROD IN EITHER ACTUATED POSITION, BASIC SWITCH PLUNGER MUST HAVE .010 MIN OVERTRAVEL AND WITH ROD IN FREE POSITION BASIC SWITCH PLUNGER MUST HAVE .005 MIN RELEASE TRAVEL

CHARACTERISTICS	ELECTRICAL DATA	DESIGN UNITS: INCH	DRAWN	KDR	09SEP96	Honeywell				
		TOLERANCES UNLESS NOTED:	CHECK	-	-					
TOTAL TRAVEL .250 APPROX PUSH DIRECTION .187 APPROX PUSH DIRECTION	CONTACT ARRANGEMENT S P D T	NO PLACES x ± ONE PLACE .x ± TWO PLACE .xx ± THREE PLACE .xxx ± ANGLES x ±	THIS DRAWING COVERS A PROPRIETARY ITEM AND IS THE PROPERTY OF HONEYWELL. THIS DRAWING IS NOT TO BE COPIED OR USED WITHOUT THE PERMISSION OF HONEYWELL.			TITLE ASSEMBLY - SWITCH				
FULLY DEPRESSED FORCE ---- 4 LB MAX	15.1A 1/2HP 125 OR 250 VAC 1/2A 125 VDC, 1/4A 250 VDC 5A 125 VAC "L"	THIRD ANGLE PROJECTION 	INTERPRET PER ANSI Y14.5M-1982 OTHER HONEYWELL ENGINEERING STANDARDS MAY APPLY			SIZE	TYPE	CAGE CODE	DRAWING NAME	REV
			Pro/ENGINEER	3D	B	I	-	3AC6	14	
					SCALE	2:1	WEIGHT	.092 LB	SHEET	1 OF 1