

10078993-G0X-XXYLF

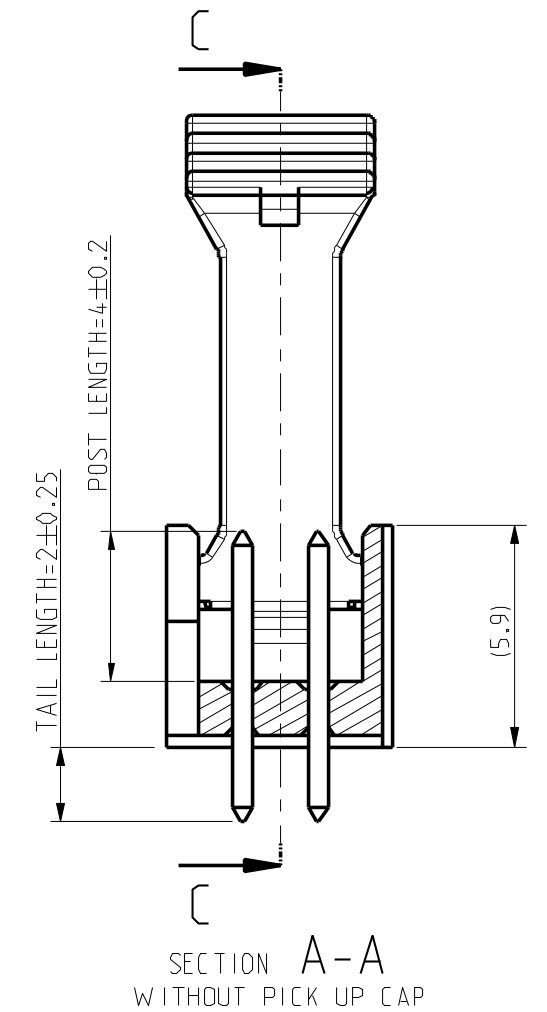
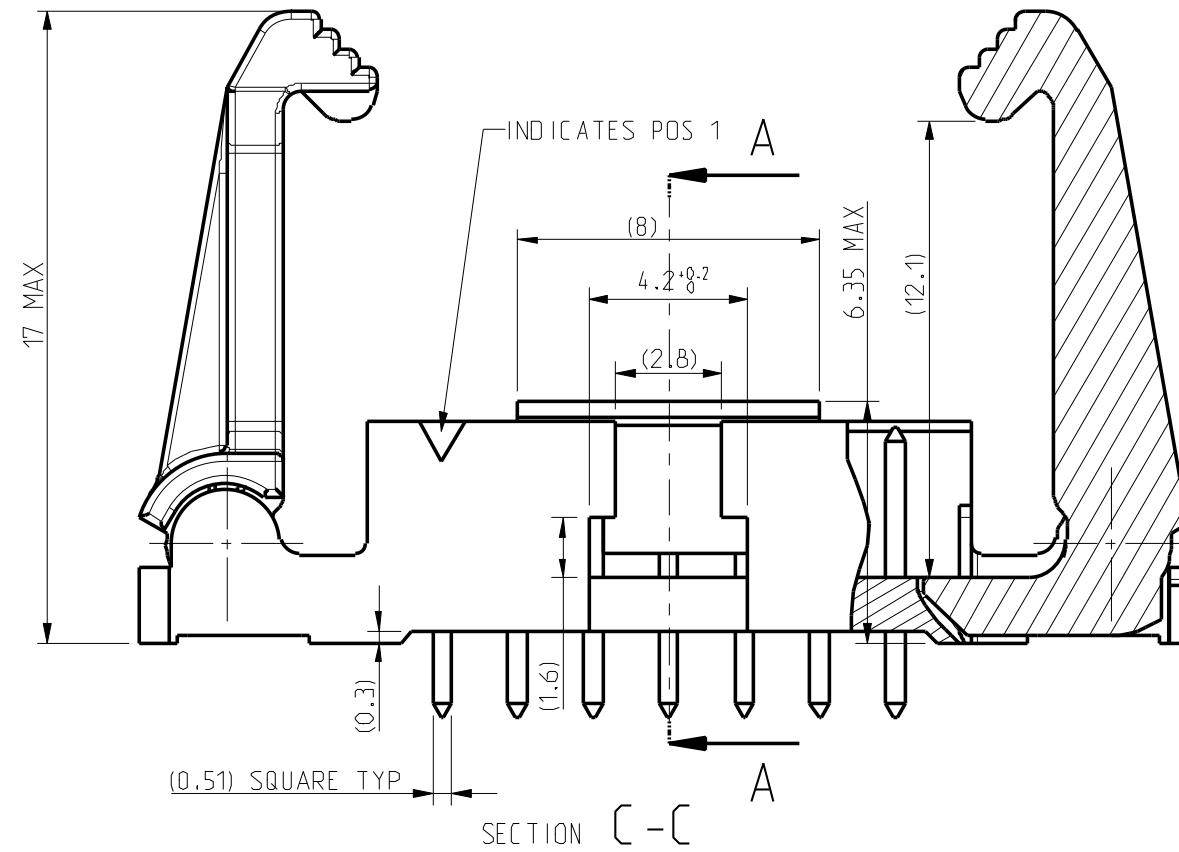
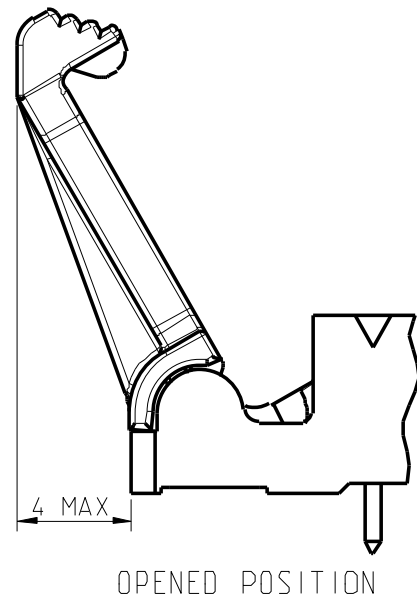
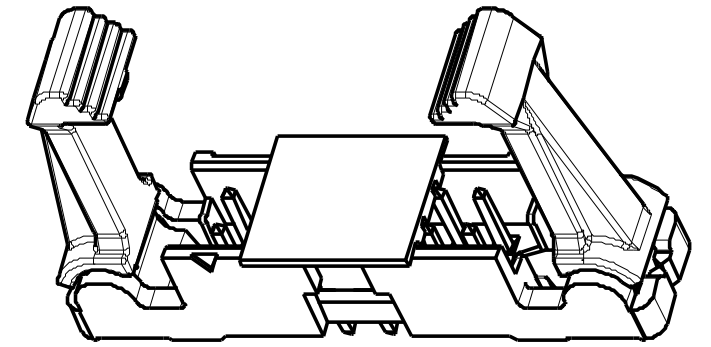
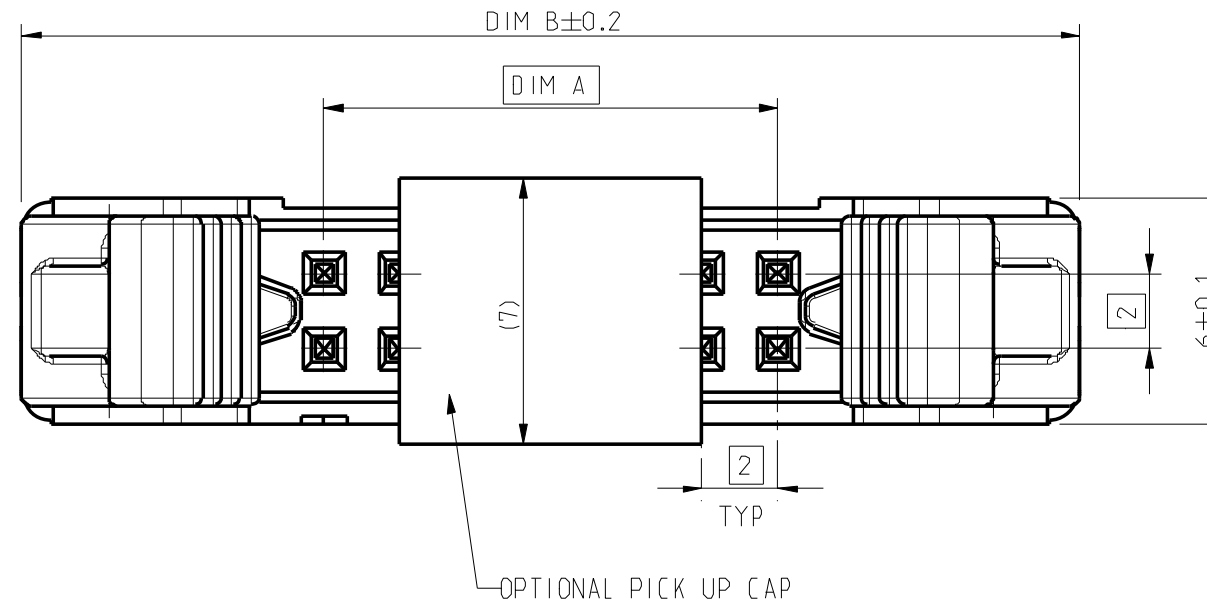
PLATING  
0.76 µm GXT (Pd Ni with gold flash)  
over 1.27 µm Nickel underplate

LATCH TYPE :  
1 = STANDARD : For use with STRAIN-RELIEF 10073978  
2 = LOW PROFILE : For use without STRAIN-RELIEF

SIZE : TOTAL NB OF POSITIONS  
SEE SHEET 2

PACKAGING, SEE NOTE 4

RoHS COMPATIBLE, SEE NOTE 5.

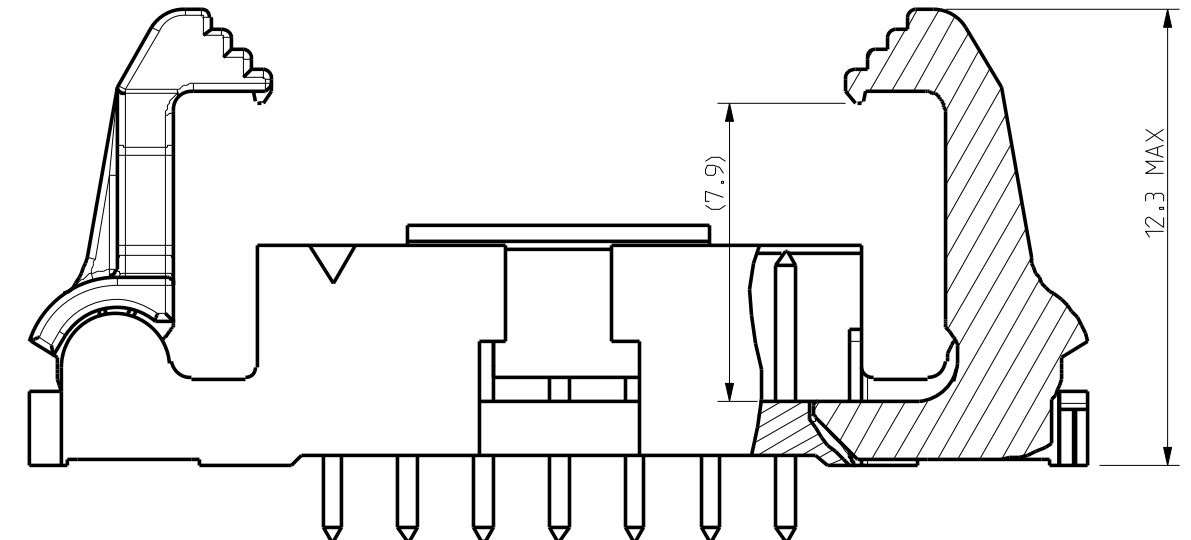
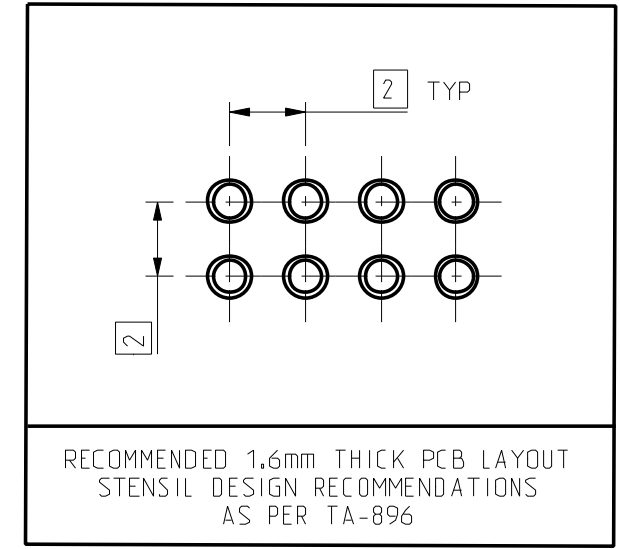
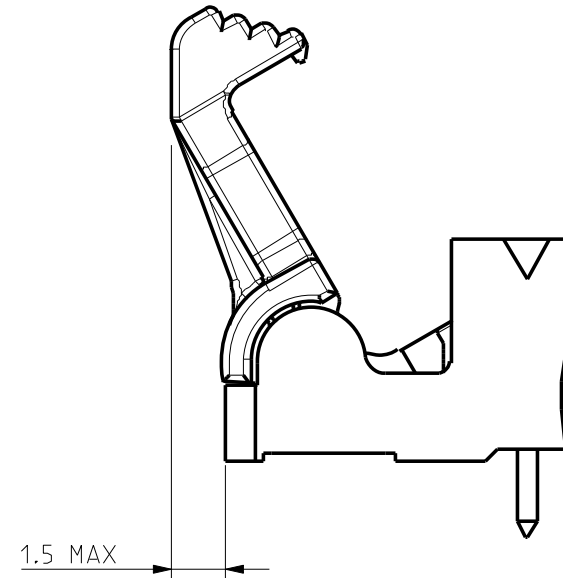


- NOTES :
- 1- MATERIAL HOUSING : HIGH TEMPERATURE THERMOPLASTIC  
UL 94 VO, COLOR CREAM.
  - MATERIAL LATCH : HIGH TEMPERATURE THERMOPLASTIC  
UL 94 VO, COLOR BLACK.
  - 2- MATERIAL TERMINAL : COPPER ALLOY
  - 3- PIN RETENTION IN EITHER DIRECTION : 7N MIN
  - 4- PACKAGING  
U= TUBE WITHOUT PICK UP CAP .  
A= TAPE & REEL WITH PICK UP CAP.
  - 5- ROHS COMPATIBLE PRODUCT SPECIFICATIONS :  
a- PLATING :  
"LF" MEANS THE PRODUCT IS LEAD FREE  
2 µm MATTE TIN MIN ON TAIL OVER 1.27 µm NICKEL UNDERPLATE.
  - b- MANUFACTURING PROCESS COMPATIBILITY  
THE HOUSING WILL WITHSTAND EXPOSURE TO 260°C PEAK TEMPERATURE FOR  
30 SECONDS MAX IN A CONVECTION, INFRA RED, VAPOR PHASE OR REFLOW OVEN.
  - c- LABELLING  
MEETS PACKAGING SPECS AS PER GS-14-920.
  - d- THIS PRODUCT MEETS EUROPEAN DIRECTIVES  
AND OTHER CONTRY REGULATION AS DESCRIBED  
IN GS-47-0004

| rev | ecn no   | dr  | date     |
|-----|----------|-----|----------|
| A   | FD8-0110 | LSA | 08-01-16 |
| B   | B-19190  | LMU | 14-11-07 |
| -   | -        | -   | -        |
| -   | -        | -   | -        |
| -   | -        | -   | -        |
| -   | -        | -   | -        |

|                    |              |                                       |                |                                      |            |              |
|--------------------|--------------|---------------------------------------|----------------|--------------------------------------|------------|--------------|
| www.fciconnect.com |              | surface<br>ISO 1302                   | -              | tolerance std<br>ISO 406<br>ISO 1101 | projection | mm           |
|                    |              | TOLERANCES UNLESS OTHERWISE SPECIFIED |                |                                      | ↔          |              |
| Dr                 | NEBU PM      | 07-06-19                              | ANGULAR        | 0.X                                  | ±/         | Scale<br>5:1 |
| Eng                | JM COMPAGNON | 07-06-19                              | LINEAR         | 0.XX                                 | ±/         | size<br>A3   |
| Chr                | JM COMPAGNON | 07-06-19                              | 0° ±/°         | 0.XXX                                | ±/         |              |
| Appr               | L. SAILLARD  | 07-06-19                              | Product family | -                                    | ECN        | B-19190      |
|                    |              |                                       |                |                                      | Spec ref   | -            |
| FCI FILE           |              | EJECT LATCH HEADER                    |                |                                      | dwg no     | 10078993     |
|                    |              | VERTICAL PIP                          |                |                                      | Rev.       | B            |
|                    |              | catalog no                            |                |                                      | CUSTOMER   | sheet 1 of 2 |

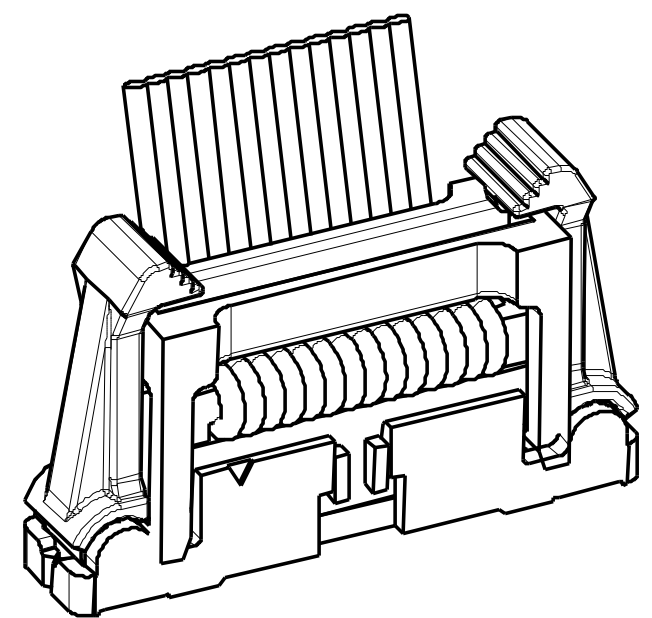
| SIZE | POSITIONS | DIM A | DIM B |
|------|-----------|-------|-------|
| 06   | 2x3       | 4.00  | 20.00 |
| 08   | 2x4       | 6.00  | 22.00 |
| 10   | 2x5       | 8.00  | 24.00 |
| 12   | 2x6       | 10.00 | 26.00 |
| 14   | 2x7       | 12.00 | 28.00 |
| 24   | 2x12      | 22.00 | 38.00 |
| 30   | 2x15      | 28.00 | 44.00 |
| 40   | 2x20      | 38.00 | 54.00 |
| 44   | 2x22      | 42.00 | 58.00 |
| 50   | 2x25      | 48.00 | 64.00 |



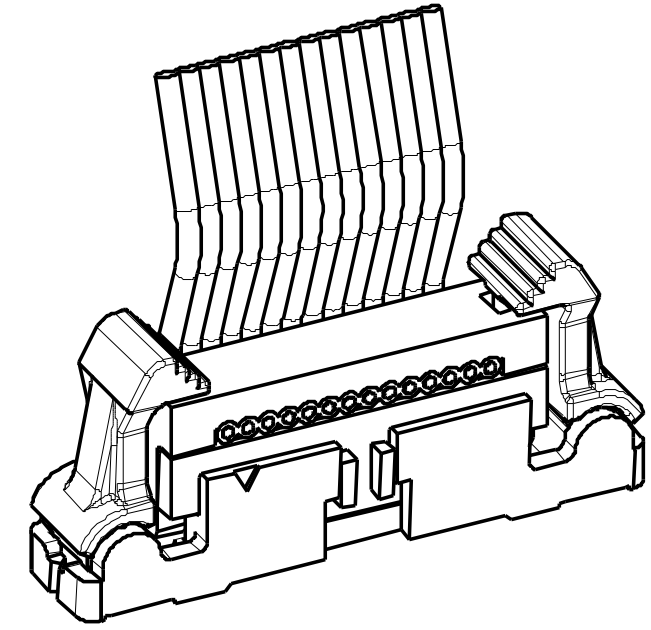
SECTION C-C  
EXAMPLE 10078993-G02-14YLF  
LOW PROFILE LATCH

PRODUCT USED IN COMBINATION WITH IDC  
RECEPTACLE P/Ns 89361 & 89941

WITH STRAIN-RELIEF ACCESSORY  
- STANDARD LATCH -



WITHOUT STRAIN-RELIEF ACCESSORY  
- LOW PROFILE LATCH -



|                                       |              |                     |                |                                   |                  |              |
|---------------------------------------|--------------|---------------------|----------------|-----------------------------------|------------------|--------------|
| www.fciconnect.com                    |              | surface<br>ISO 1302 | - ✓            | tolerance std<br>ISO 406 ISO 1101 | projection<br>mm | mm           |
| TOLERANCES UNLESS OTHERWISE SPECIFIED |              |                     |                | ANGULAR                           | size<br>A3       | Scale<br>5:1 |
| Dr                                    | NEBU PM      | 07-06-19            | LINEAR         | 0.X                               | ECN              | B-19190      |
| Eng                                   | JM COMPAGNON | 07-06-19            | 0° ±°          | ±/                                | Spec ref         | -            |
| Chr                                   | JM COMPAGNON | 07-06-19            | Product family | 0.XXX                             |                  |              |
| Appr                                  | L. SAILLARD  | 07-06-19            |                | ±/                                |                  |              |
| FCj FILE EJECT LATCH HEADER           |              | dwg no 10078993     |                | Rev. B                            |                  |              |
| catalog no -                          |              | CUSTOMER            |                | sheet 2 of 2                      |                  |              |

Copyright FCI