

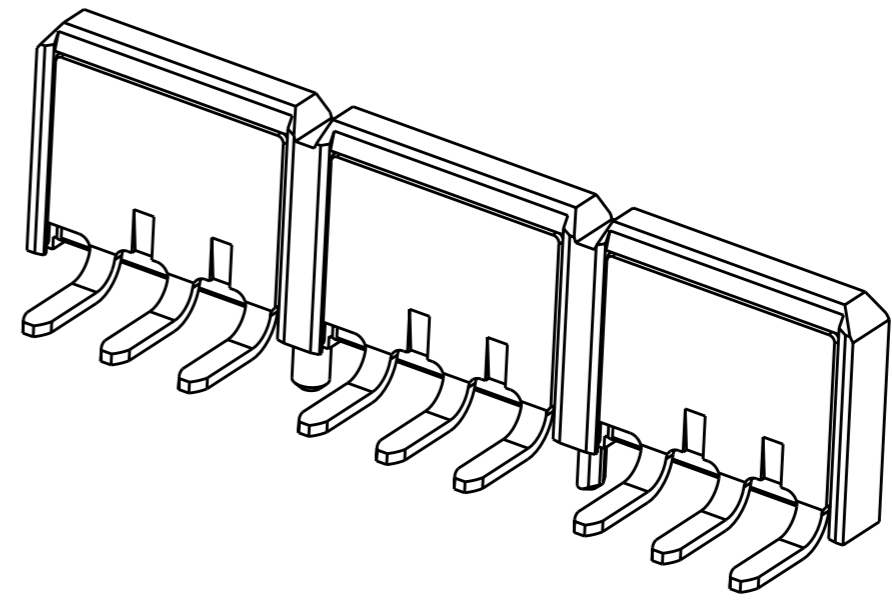
THIS DRAWING IS UNPUBLISHED. RELEASED FOR PUBLICATION 20  
 © COPYRIGHT 20 BY TYCO ELECTRONICS CORPORATION. ALL RIGHTS RESERVED.

LOC	DIST	REVISIONS			
P	LTR	DESCRIPTION	DATE	DWN	APVD
GP	00	A	RELEASED PER ECO-09-017897	03AUG2009	RG RL

- PART NUMBER CHANGES AND OR DESIGN CHANGES AFFECTING ITEM INTERCHANGEABILITY REQUIRE PRIOR TYCO ELECTRONICS APPROVAL AND AUTHORIZATION BY REVISION TO THIS DRAWING.
- ITEMS PROVIDED TO THIS SPECIFICATION TO BE BAGGED AND TAG IDENTIFIED PER THE FOLLOWING IDENTIFIER:  
 YEAR    WEEK

TYCO ELECTRONICS P/N      DATE CODE (e.g. 0425)  
 XXXXXXXX-X                      XXXX

- 3 MATERIALS:  
 INSULATOR: THERMOPLASTIC, HIGH TEMPERATURE, GLASS REINFORCED  
 COLOR: BLACK, UL94V-0 FLAMMABILITY  
 CONTACTS: COPPER ALLOY
- 4 FINISH:  
 CONTACT: SELECTIVELY GOLD PLATE 0.76µm MIN. THK. OVER NICKEL 1.27µm MIN THK.  
 SOLDER TAILS: TIN PLATE 3.05µm MIN THK. OVER NICKEL 1.27µm MIN THK.
- 5. A REFERENCE DIMENSION (.XXX) IS WITHOUT TOLERANCE AND USED FOR INFORMATION PURPOSES ONLY.
- 6. SEE DRAWING C-6651712 FOR MATING SOCKET CONNECTOR.
- 7 DATUMS AND BASIC DIMENSIONS ESTABLISHED BY CUSTOMER.
- 8 PART IS SYMMETRICAL AND IS NOT INTENDED TO BE ORIENTED WHEN APPLIED TO PC BOARD.



AS SHOWN	2085196-1
DESCRIPTION	PART NO.

<small>THIS DRAWING IS A CONTROLLED DOCUMENT FOR TYCO ELECTRONICS CORPORATION IT IS SUBJECT TO CHANGE AND THE CONTROLLING ENGINEERING ORGANIZATION SHOULD BE CONTACTED FOR THE LATEST REVISION.</small>		DWN 13MARCH2009 R. GRZYBOWSKI		Tyco Electronics Harrisburg, PA 17105-3608	
DIMENSIONS: mm		TOLERANCES UNLESS OTHERWISE SPECIFIED: 0 PLC ±- 1 PLC ±0.5 2 PLC ±0.25 3 PLC ±- 4 PLC ±- ANGLES ±2		NAME MC-P3S0 MINI CROWN EDGE BLADE CONNECTOR, SURFACE MOUNT SHORTENED, SPECIAL	
MATERIAL <u>  </u> 3		FINISH <u>  </u> 4		PRODUCT SPEC - APPLICATION SPEC - WEIGHT -	
RESTRICTED CUSTOMER				SIZE A3 CAGE CODE 00779 DRAWING NO C-2085196	RESTRICTED TO IBM
SCALE 5:1				SHEET 1 OF 3	REV A

4

3

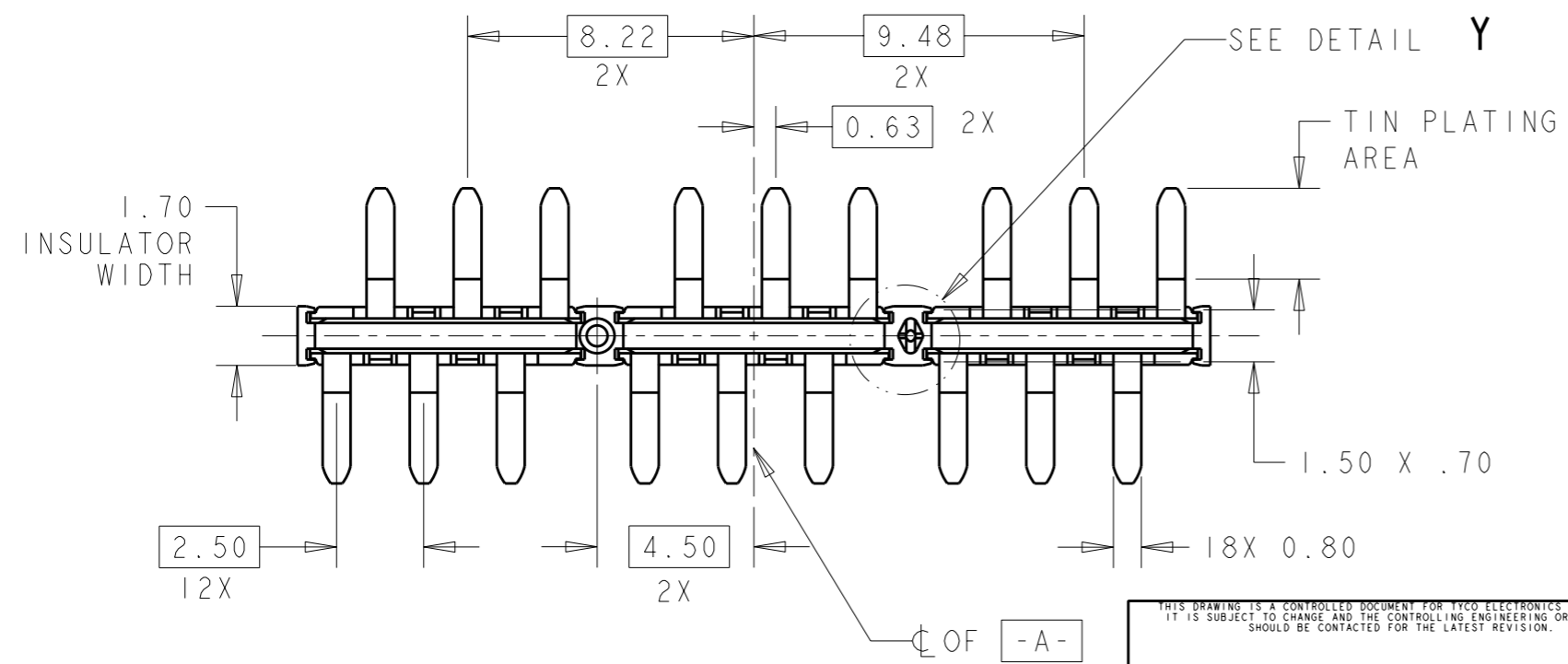
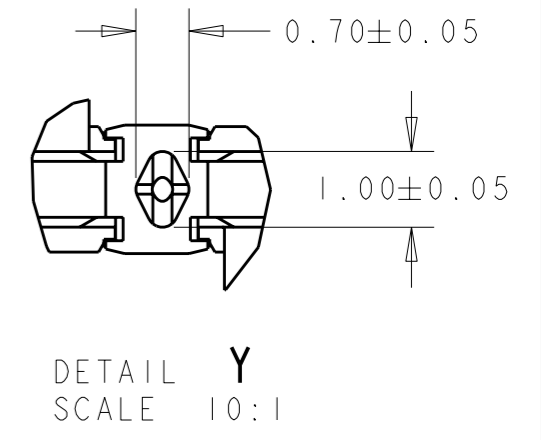
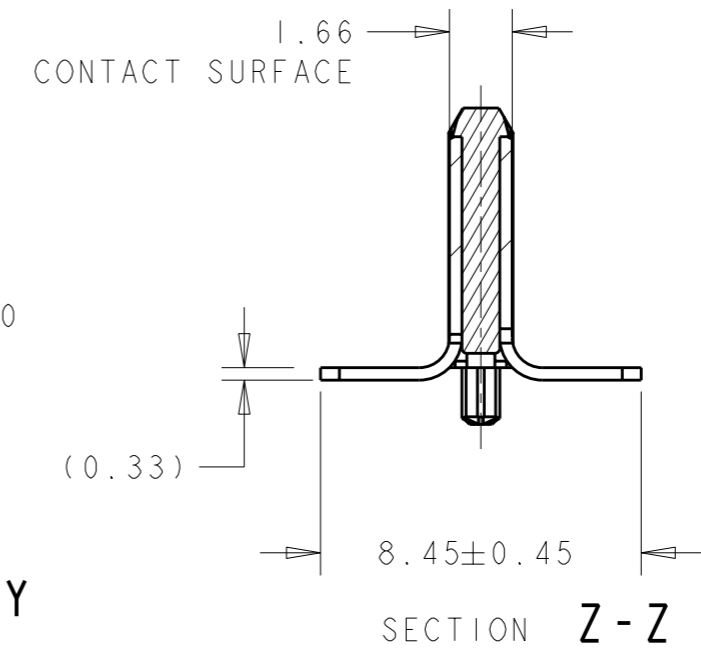
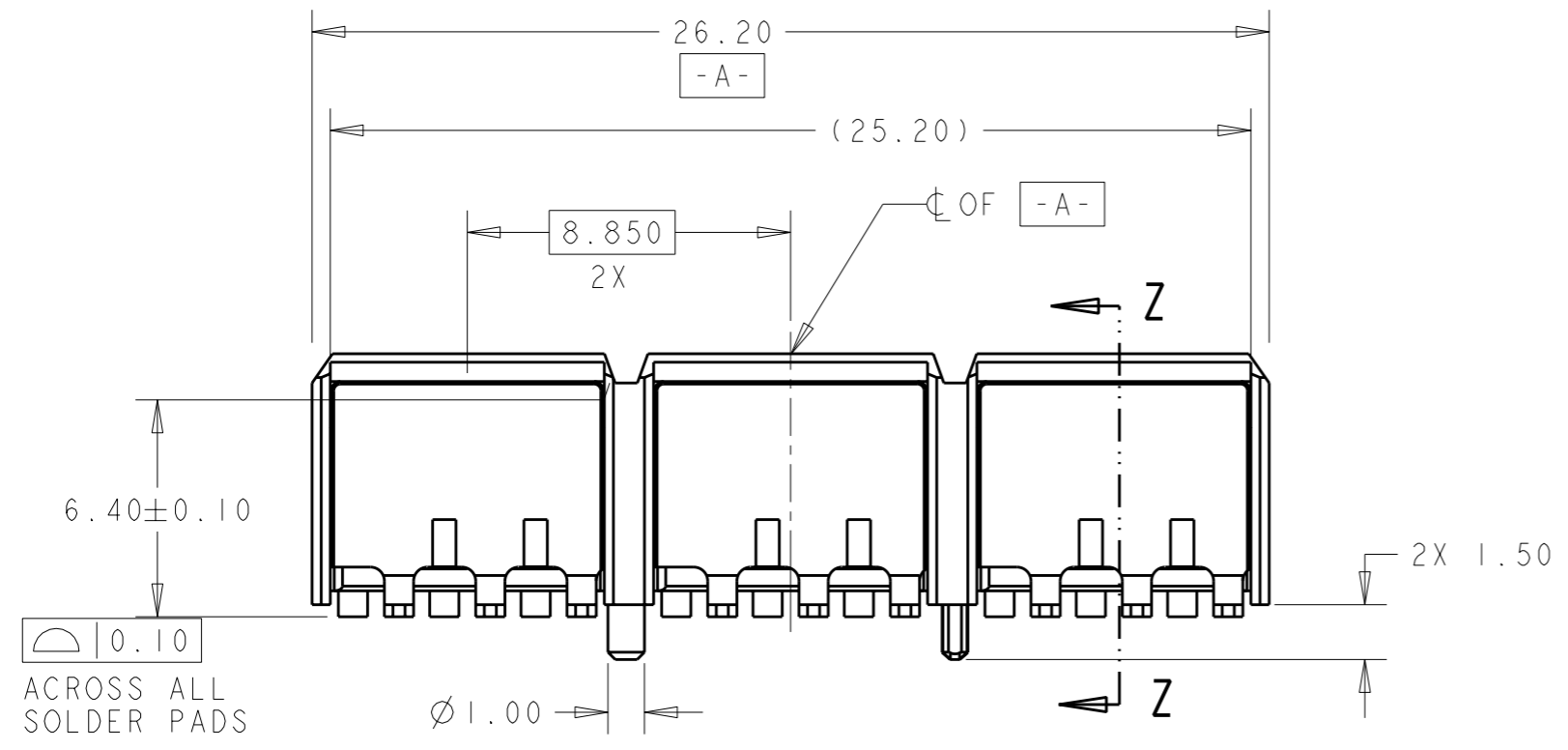
2

1

THIS DRAWING IS UNPUBLISHED. RELEASED FOR PUBLICATION 20

© COPYRIGHT 20 BY TYCO ELECTRONICS CORPORATION. ALL RIGHTS RESERVED.

LOC	DIST	REVISIONS			
P	LTR	DESCRIPTION	DATE	DWN	APVD
GP	00	-	SEE SHEET 1	-	-



THIS DRAWING IS A CONTROLLED DOCUMENT FOR TYCO ELECTRONICS CORPORATION  
IT IS SUBJECT TO CHANGE AND THE CONTROLLING ENGINEERING ORGANIZATION  
SHOULD BE CONTACTED FOR THE LATEST REVISION.

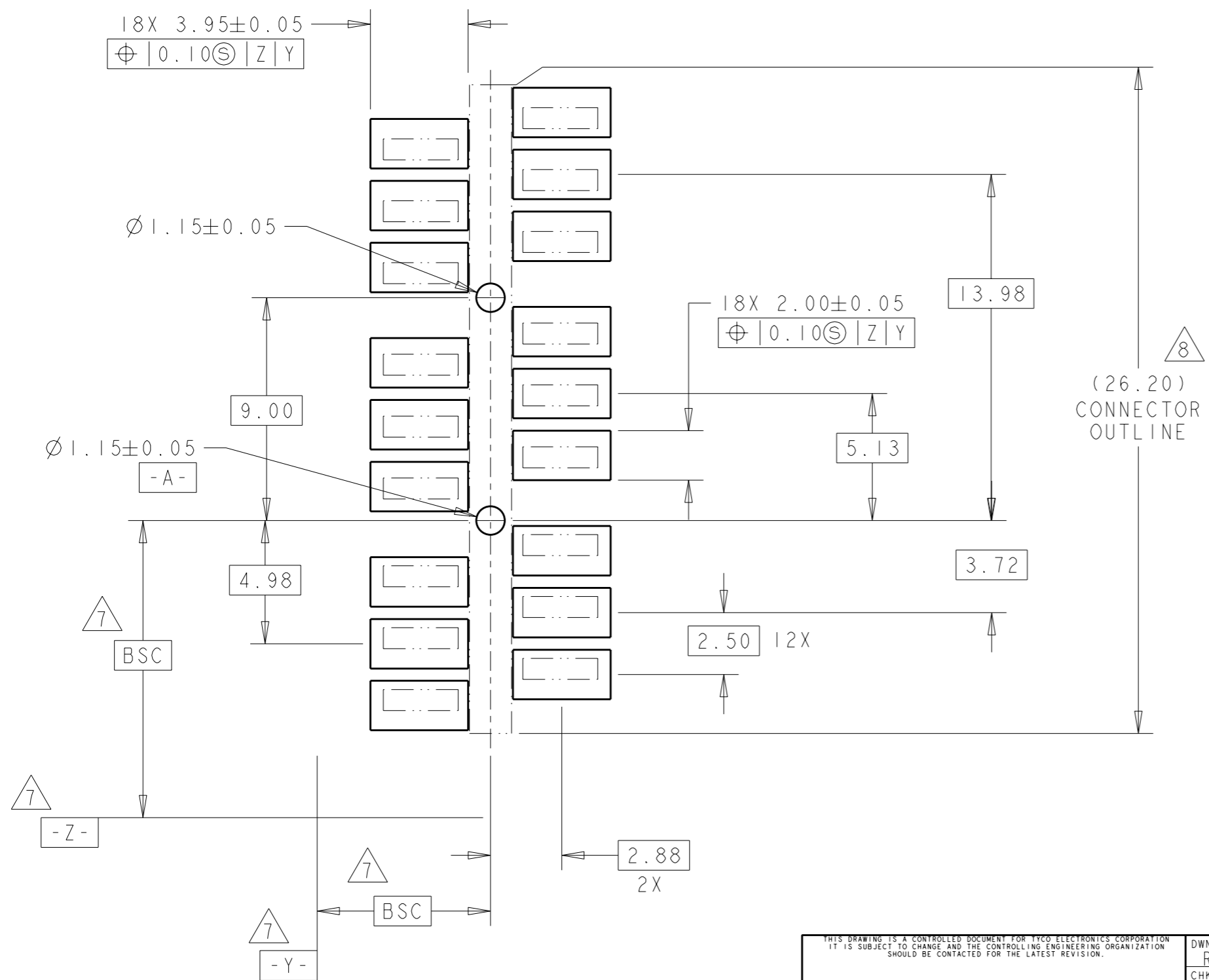
DIMENSIONS: mm		TOLERANCES UNLESS OTHERWISE SPECIFIED:	
		0 PLC	±
		1 PLC	±0.5
		2 PLC	±0.25
		3 PLC	±
		4 PLC	±
MATERIAL		FINISH	

DWN	13MARCH2009
CHK	13MARCH2009
APVD	13MARCH2009
PRODUCT SPEC	
APPLICATION SPEC	
WEIGHT	
CUSTOMER DRAWING	

Tyco Electronics Harrisburg, PA 17105-3608		NAME MC-P3S0 MINI CROWN EDGE BLADE CONNECTOR, SURFACE MOUNT SHORTENED, SPECIAL	
SIZE	CAGE CODE	DRAWING NO	RESTRICTED TO
A3	00779	C-2085196	-
SCALE 5:1		SHEET 2 OF 3 REV A	

THIS DRAWING IS UNPUBLISHED. RELEASED FOR PUBLICATION 20  
 © COPYRIGHT 20 BY TYCO ELECTRONICS CORPORATION. ALL RIGHTS RESERVED.

LOC	DIST	REVISIONS				
P	LTR	DESCRIPTION	DATE	DWN	APVD	
GP	00	-	SEE SHEET 1	-	-	



RECOMMENDED SOLDER LAND GUIDELINE  
 AS VIEWED FROM CONNECTOR SIDE

THIS DRAWING IS A CONTROLLED DOCUMENT FOR TYCO ELECTRONICS CORPORATION. IT IS SUBJECT TO CHANGE AND THE CONTROLLING ENGINEERING ORGANIZATION SHOULD BE CONTACTED FOR THE LATEST REVISION.		DWN R. GRZYBOWSKI 13MARCH2009	Tyco Electronics Harrisburg, PA 17105-3608	
DIMENSIONS: mm		CHK R. LANDON 13MARCH2009	NAME MC-P3S0 MINI CROWN EDGE BLADE CONNECTOR, SURFACE MOUNT SHORTENED, SPECIAL	
TOLERANCES UNLESS OTHERWISE SPECIFIED: 0 PLC ±- 1 PLC ±0.5 2 PLC ±0.25 3 PLC ±- 4 PLC ±- ANGLES ±2		APVD M. PERCHERKE 13MARCH2009		
MATERIAL -		PRODUCT SPEC -	SIZE A300779	CAGE CODE C-2085196
FINISH -		APPLICATION SPEC -	DRAWING NO	RESTRICTED TO
		WEIGHT -	SCALE 5:1 SHEET 3 OF 3 REV A	
		CUSTOMER DRAWING		