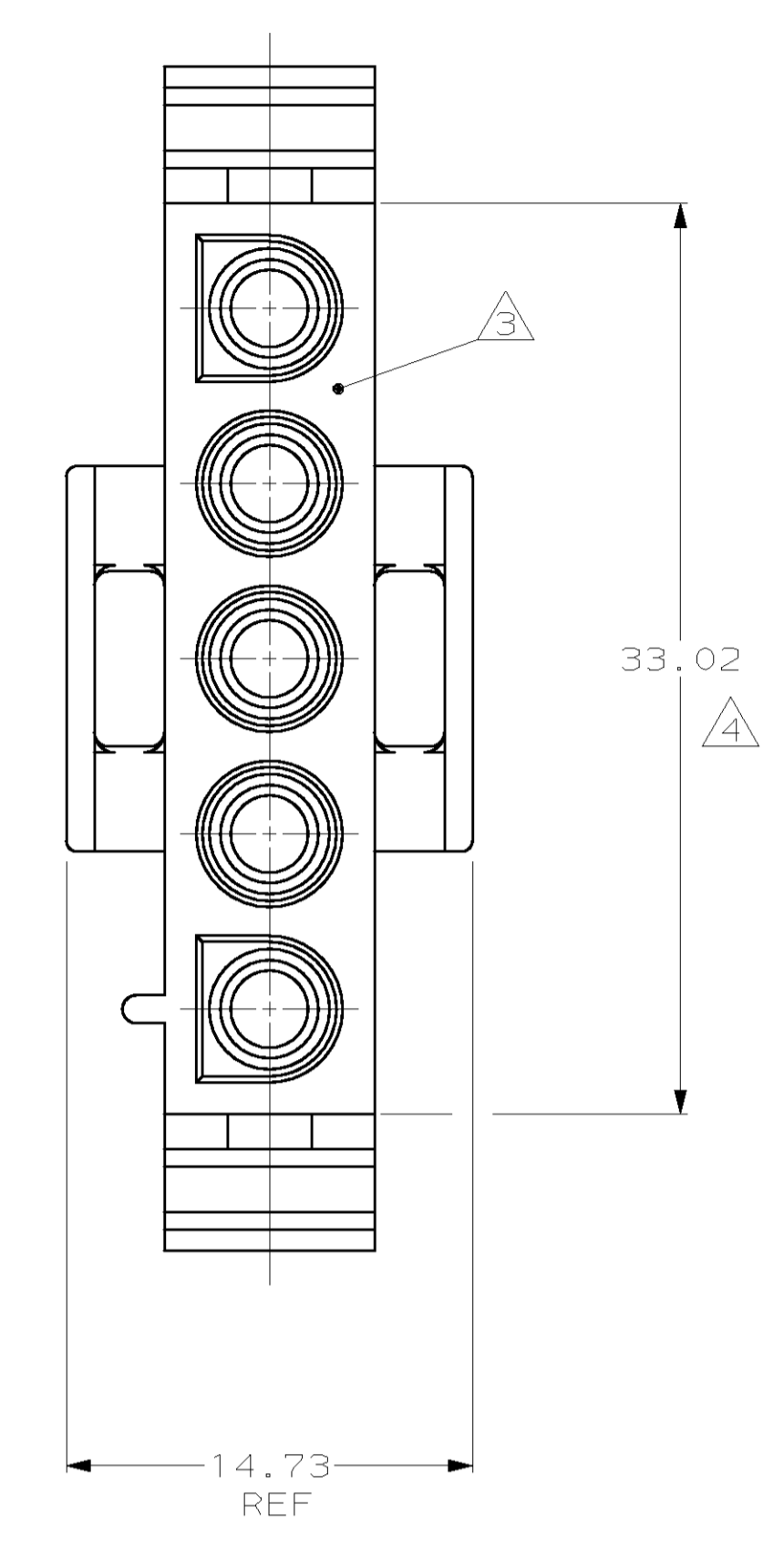
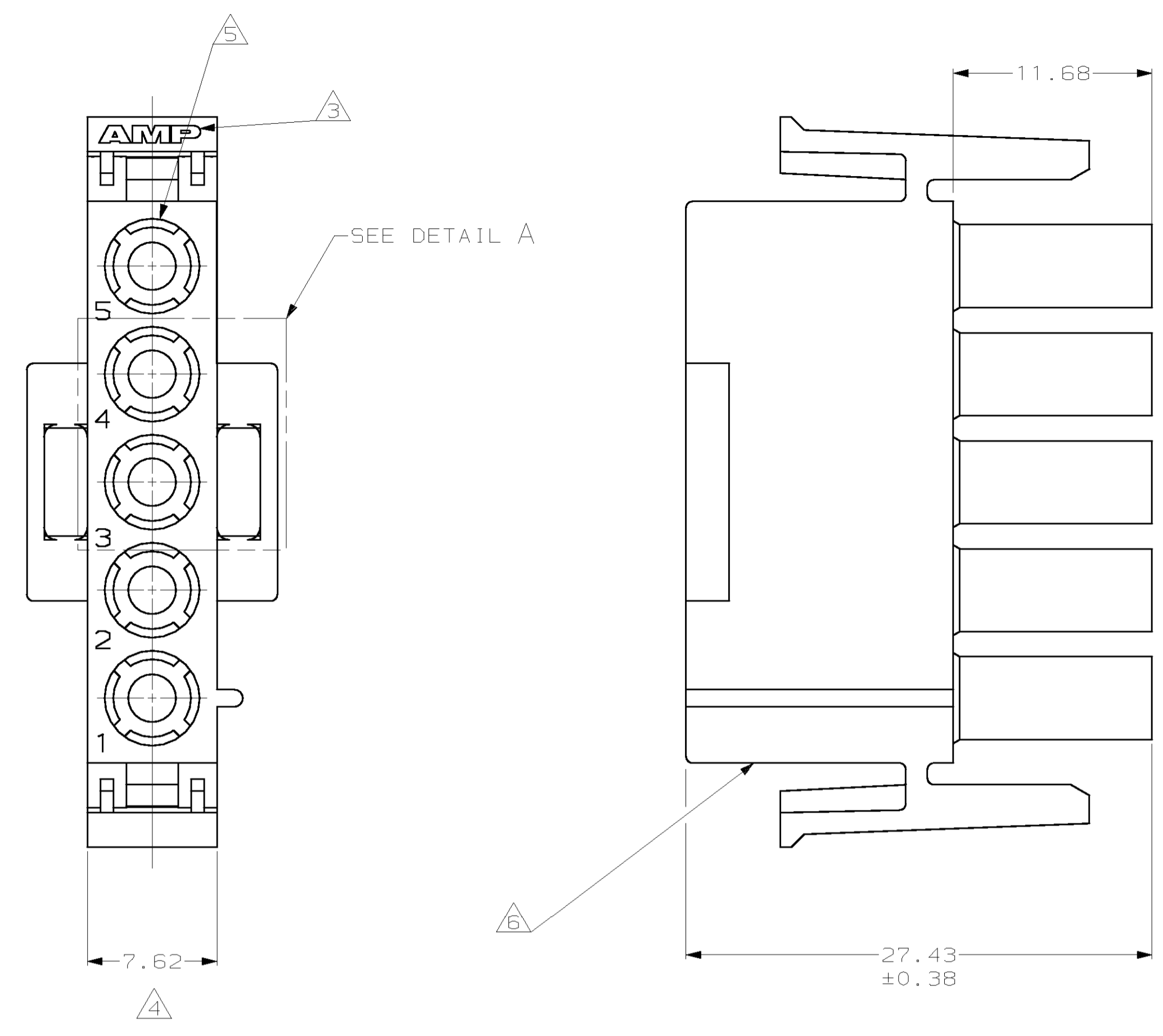
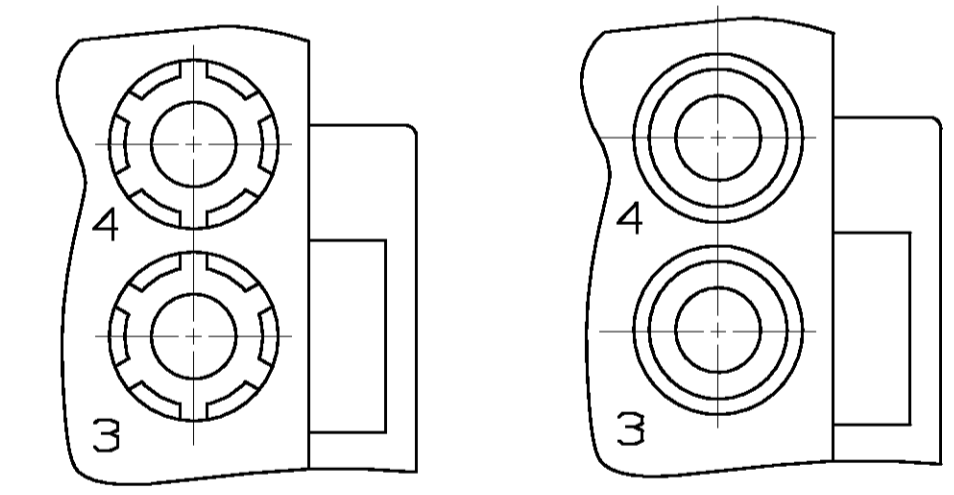
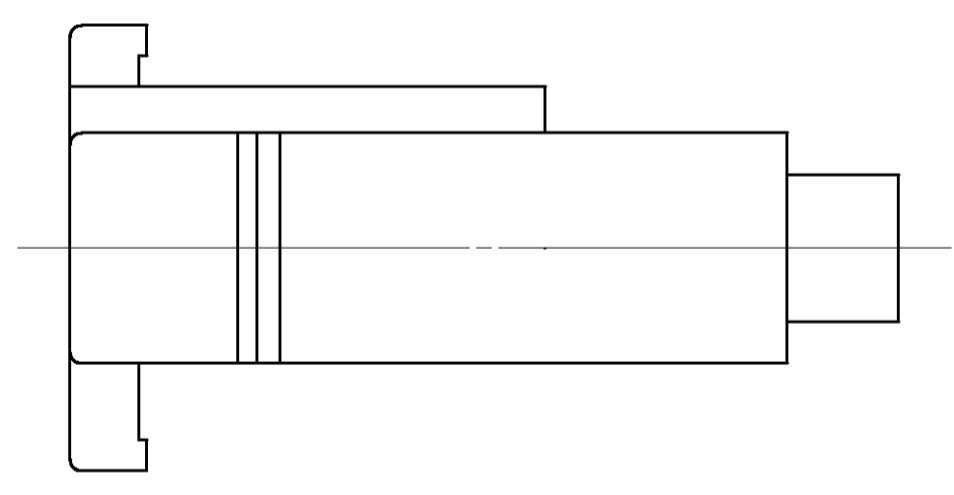


REV	DATE	DESCRIPTION	DATE	BY	APPROV
0	17-MAY-01	REVISED PER EC 063B-0300-01	17-MAY-01	KW	SR



- MATES WITH APPROPRIATE UNIVERSAL MATE-N-LOK™ CAP OR HEADER.
 - SMALL NICKS ARE PERMITTED ON THE CIRCUIT TOWERS WHICH COULD INCREASE THE INITIAL HOUSING MATING FORCE BY UP TO 4.4 NEWTONS [1.0 LBS]. NO INDIVIDUAL NICKED TOWER SHALL INCREASE THIS FORCE BY OVER 2.2 NEWTONS [0.5 LBS].
- △3 OPTIONAL: AMP LOGO MAY BE LOCATED ON THIS SURFACE.
 - △4 DIMENSION INDICATED IS AS MOLDED. ADDITIONAL GROWTH DUE TO SUBSEQUENT MOISTURE ABSORPTION MAY OCCUR.
 - △5 FOUR RIBS EQUALLY SPACED, NO SPECIFIC ORIENTATION. NO RIBS OR SIX RIBS EQUALLY SPACED, NO SPECIFIC ORIENTATION, OPTIONAL.
 - △6 UNDERWRITERS RECOGNIZED COMPONENT LOGO AND CSA CERTIFICATION LOGO TO BE LOCATED ONCE EACH ON SIDE OF HOUSING.



DETAIL A
 OPTIONAL CONSTRUCTIONS

MM	IN
33.02	1.300
27.43	1.080
14.73	.580
11.68	.460
7.62	.300
0.38	.015
0.13	.005
MM	IN

CONVERSION TABLE

METRIC

794913-1
 PART NUMBER

<small>THIS DRAWING IS A CUSTOMER DRAWING AND IS UNPUBLISHED. IT IS SUBJECT TO CHANGE AND THE CONTROLLING ENGINEERING REGULATION SHALL BE CONTACTED FOR THE LATEST REVISION.</small>		DATE: 20-MAR-2001 BY: K. WHITAKER CHK: S. RIDGILL APP'D: S. RIDGILL	AMP Incorporated Harrisburg, PA 17105-3608
DIMENSIONS: mm	TOLERANCES UNLESS OTHERWISE SPECIFIED: .0 PLG ±.01 .3 PLG ±.013 .6 PLG ±.02 .8 PLG ±.025 ANGLES 40°±30°	PRODUCT SPEC: - APPLICATION SPEC: - WEIGHT: -	PLUG, 5 CIRCUIT, UNIVERSAL MATE-N-LOK™ SIZE: A1 CAGE CODE: 00779 DRAWING NO: C=794913 SCALE: 4:1 SHEET: 1 OF 1 REV: 0
MATERIAL: NYLON, UL 94V-2 BLACK HIGH TEMP FINISH: -			CUSTOMER DRAWING