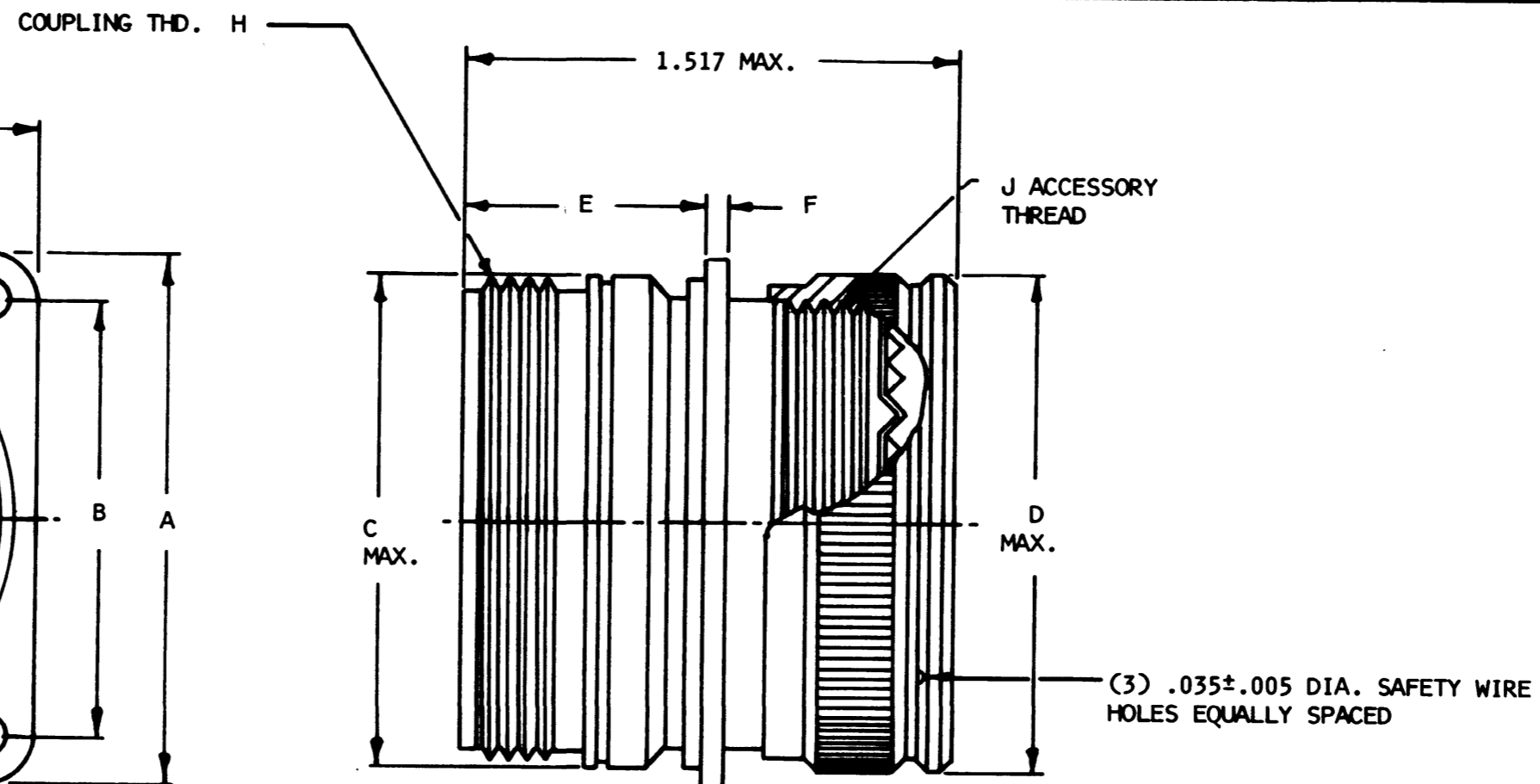
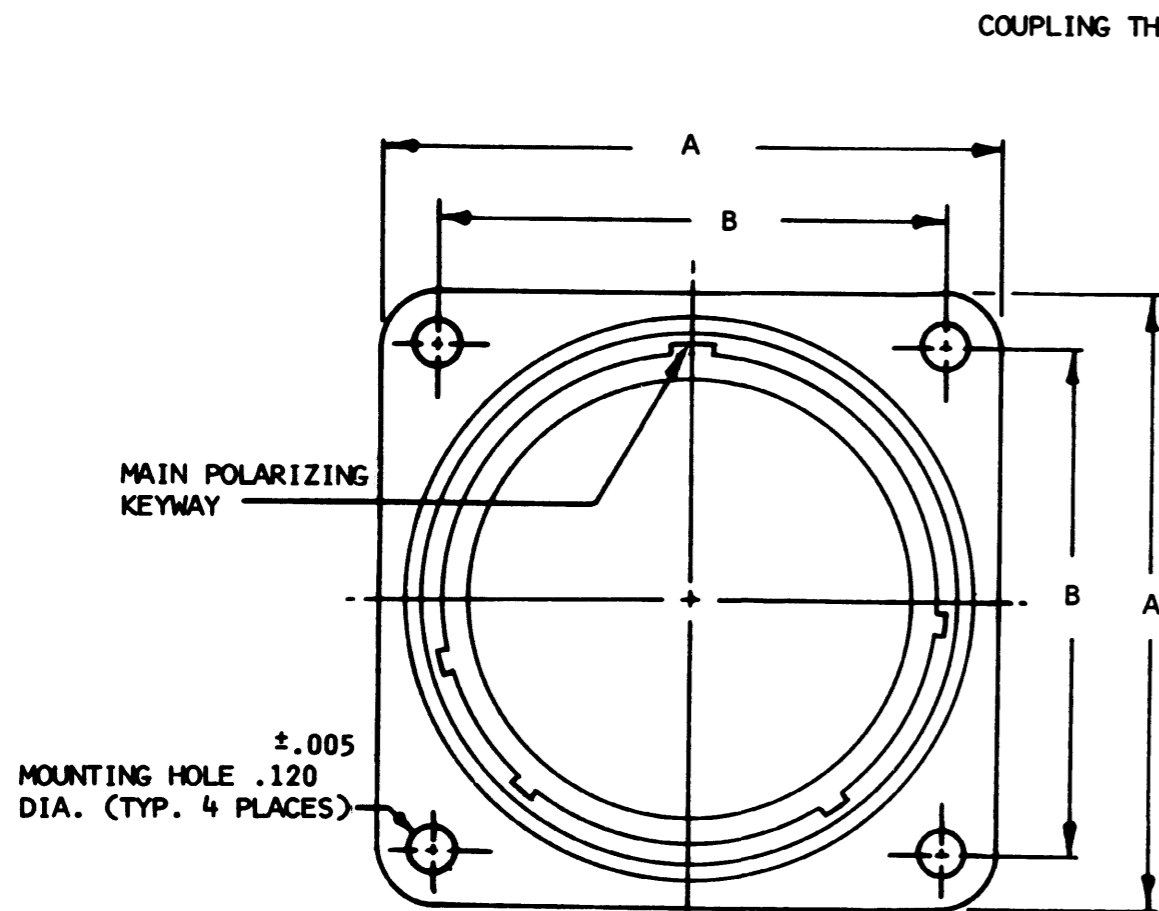


DBA 30-\*P/S\*

REVISIONS

SYM	DESCRIPTION	DATE	APPROVED
F	REVISED PER E.O. 91517	3-9-83	T. Holt



PART NO'S.	A±.005	B±.005	C MAX.	D MAX.	E±.010	F±.010	H THREAD	J THREAD	WEIGHT IN LBS.
DBA30- 8-*P/S*	.812	.594	.562	.615	.718	.062	9/16-24 UNEF	1/2-20 UNF	P .0255 S .0265
DBA30-10-*P/S*	.937	.719	.696	.734	.718	.062	11/16-24 UNEF	5/8-24 UNEF	P .0314 S .0346
DBA30-12-*P/S*	1.031	.812	.875	.858	.718	.062	7/8-20 UNEF	3/4-20 UNEF	P .0415 S .0454
DBA30-14-*P/S*	1.125	.906	.936	.984	.718	.062	15/16-20 UNEF	7/8-20 UNEF	P .0501 S .0526
DBA30-16-*P/S*	1.250	.969	1.062	1.112	.718	.062	1 1/16-18 UNEF	1-20 UNEF	P .0623 S .0666
DBA30-18-*P/S*	1.343	1.062	1.187	1.218	.718	.062	1 3/16-18 UNEF	1 1/16-18 UNEF	P .0732 S .0758
DBA30-22-*P/S*	1.562	1.250	1.437	1.468	.718	.062	1 7/16-18 UNEF	1 5/16-18 UNEF	P .1062 S .1154

5. CONNECTOR FINISH: BLACK ANODIZE.
4. CONNECTOR WEIGHTS SHOWN ARE LESS CONTACTS.
3. FOR RECEPTACLE WITH BACKSHELL WITH STRAIGHT STRAIN RELIEF OR 90° STRAIN RELIEF, REFER TO MOD SHEET.
2. SEE "GENERAL DESCRIPTION" FOR ELECTRICAL AND MATERIAL SPECIFICATIONS.
1. FOR AVAILABLE CONTACT ARRANGEMENTS AND ALTERNATE INSERT POSITIONS, SEE 38500T SHEETS IN DBA THREAD COUPLING SECTION.

NOTES:

SIGNATURE & DATE		RECEPTACLE SQUARE FLANGE MOUNT THREAD COUPLING CONNECTOR MIL-C-83723 TYPE DBA ENVELOPE	CP	MATL CODE	
DR	<i>L. Salk</i> 11-11-69		<b>The Deutsch Company</b> ELECTRONIC COMPONENTS DIVISION Municipal Airport Banning, California		
CHK	<i>E. Z. French</i> 12-15-69		B	DBA30-*P/S*	
PE	<i>Blair</i> 12-15-69			DWG SIZE	CODE 11139
APPD				SHEET ( OF )	
SCALE	NONE	WT			