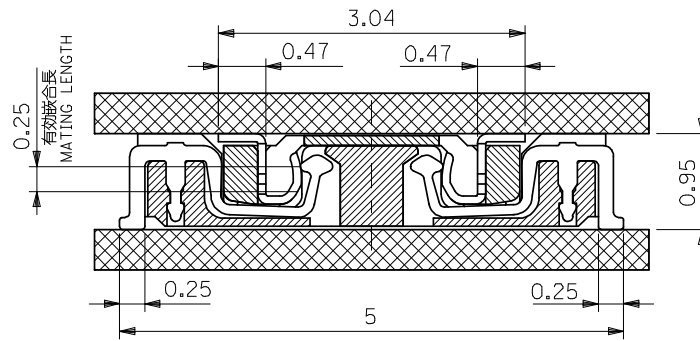


- 注記 NOTES
- 材質 MATERIAL  
ハウジング : 液晶ポリマー-UL94V-0  
HOUSING : LIQUID CRYSTAL POLYMER [LCP] UL94V-0  
ターミナル : 銅合金  
TERMINAL : COPPER ALLOY  
ネール : 銅合金  
NAIL : COPPER ALLOY
  - メッキ仕様 PLATING  
接点部 : 金メッキ 0.1μm  
CONTACT AREA : GOLD PLATING 0.1μm  
半田付け部 : 金メッキ 0.1μm  
SOLDER TAIL AREA : GOLD PLATING 0.1μm  
下地メッキ : ニッケルメッキ 1.0μm  
UNDER PLATING : NICKEL PLATING 1.0μm  
ネール : 錫メッキ 1.0μm  
NAIL : TIN PLATING 1.0μm  
下地メッキ : ニッケルメッキ 0.5μm  
UNDER PLATING : NICKEL PLATING 0.5μm
  - テール及びネールの平坦度は 0.1 以下  
TAIL AND NAIL COPLANARITY : 0.1 MAX.
  - 嵌合相手 : 500027 シリズ  
MATE WITH : 500027 SERIES
  - 本製品は 500024-\*\*\*9 の鉛フリー品である。  
THIS PRODUCT IS LEAD FREE OF 50024-\*\*\*9

18.94	15.6	500024-8071	500024-8008	—#—	80
16.94	13.6	500024-7071	500024-7008	—#—	70
15.74	12.4	500024-6471	500024-6408	—#—	64
14.94	11.6	500024-6071	500024-6008	—#—	60
12.94	9.6	500024-5071	500024-5008	—#—	50
10.94	7.6	500024-4071	500024-4008	○	40
9.74	6.4	500024-3471	500024-3408	—#—	34
8.94	5.6	500024-3071	500024-3008	—#—	30
A	B	EMBOSSSED TAPE PKG. ORDER No. オダー番号	MATERIAL No.	NOTCH	CIRCUIT

REVISED EC NO: J2009-0301 DRWN: MWABEI 2008/08/27 CHKD: THARUYAMA 2008/08/28 APPR: NUKITA 2008/08/28	GENERAL TOLERANCES (UNLESS SPECIFIED)		DIMENSION STYLE MM ONLY	SCALE ---	DESIGN UNITS METRIC	MODEL NO. 500024-***8
	10 UNDER	±0.2	DRAWN BY H. SHIMABUKUR	DATE '04/02/18	TITLE 0.4MM PITCH B/B CONN H=0.95 REC HSG ASSY -LEAD FREE-	THIRD ANGLE PROJECTION
	10 OVER 30 UNDER	±0.25	CHECKED BY K. TOJO	DATE '04/02/18	MOLEX	MATERIAL NO. SD-500024-018
	30 OVER	±0.3	APPROVED BY M. SASAO	DATE '04/02/18	DOCUMENT NO.	SHEET NO. 1 OF 2
REV	DESCRIPTION	ANGULAR ±3 ° DRAFT WHERE APPLICABLE MUST REMAIN WITHIN DIMENSIONS	SIZE A3	THIS DRAWING CONTAINS INFORMATION THAT IS PROPRIETARY TO MOLEX INCORPORATED AND SHOULD NOT BE USED WITHOUT WRITTEN PERMISSION		

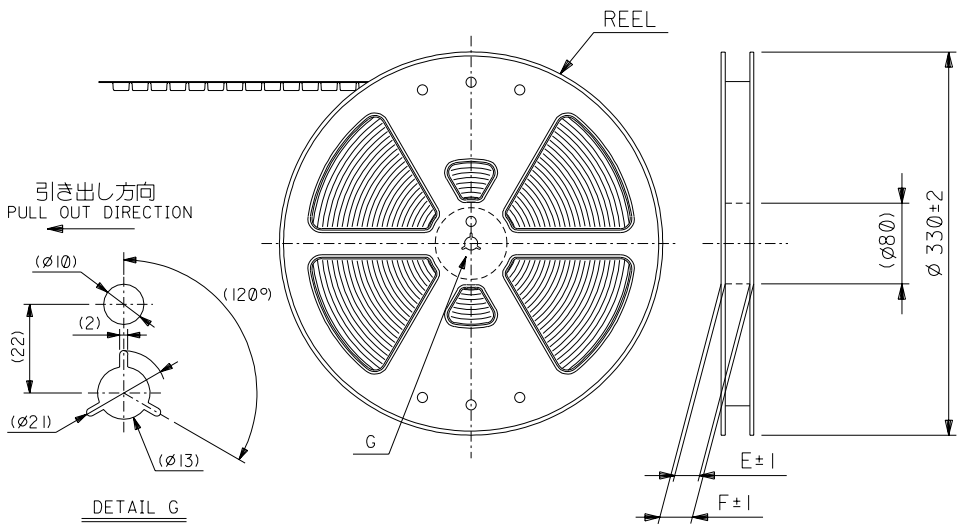


嵌合断面図 (参考)  
MATED DRAWING

500024-\*\*\*8 MODEL NO.

REVISED EC NO: J2009-0301 DRWN: MWABEI 2008/08/27 CHKD: THARUYAMA 2008/08/28 APPR: NUKITA 2008/08/28	GENERAL TOLERANCES (UNLESS SPECIFIED)		DIMENSION STYLE MM ONLY	SCALE ---	DESIGN UNITS METRIC	THIRD ANGLE PROJECTION
	10 UNDER	±0.2	DRAWN BY H. SHIMABUKUR	DATE '04/02/18	TITLE 0.4MM PITCH B/B CONN H=0.95 REC HSG ASSY -LEAD FREE-	
	10 OVER 30 UNDER	±0.25	CHECKED BY K. TOJO	DATE '04/02/18	MOLEX INCORPORATED	
	30 OVER	±0.3	APPROVED BY M. SASAO	DATE '04/02/18	DOCUMENT NO. SD-500024-018	SHEET NO. 2 OF 2
REV	DESCRIPTION	ANGULAR ±3 ° DRAFT WHERE APPLICABLE MUST REMAIN WITHIN DIMENSIONS	MATERIAL NO. SEE SHEET 1	THIS DRAWING CONTAINS INFORMATION THAT IS PROPRIETARY TO MOLEX INCORPORATED AND SHOULD NOT BE USED WITHOUT WRITTEN PERMISSION		

DWG. NO. SD-500024-019

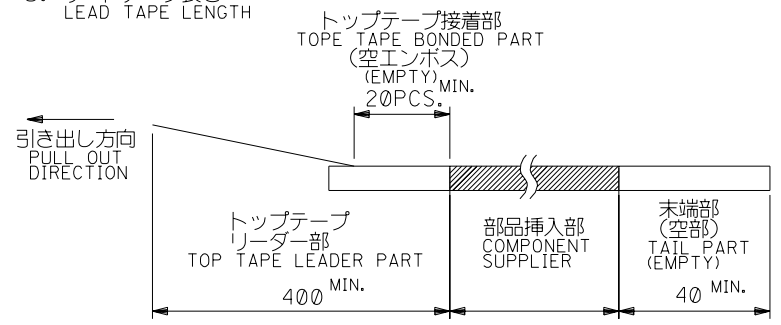


引き出し方向  
PULL OUT DIRECTION

DETAIL G

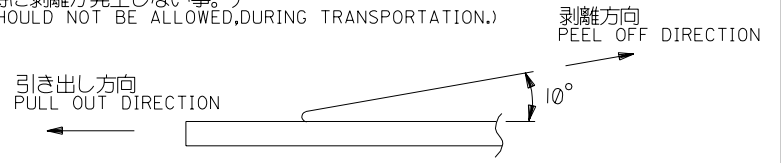
注)  
NOTES

- 製品番号500024-\*\*\*8 詳細寸法については、製品単体図面を参照下さい。  
IN THE PACKAGE PART NUMBER 500024-\*\*\*8 DETAILED DIMENSIONS, SEE SALES DRAWING FOR CONNECTOR.
- 梱包数量：2000個/リール  
NUMBER OF CONNECTORS：2000 PCS/REEL.
- リードテープ長さ  
LEAD TAPE LENGTH



- トップテープの剥離強度：(剥離方向は下図参照)  
PEELING OFF FORCE OF TOP TAPE (PELLING DIRECTION AS SHOWN IN FOLLOWING FIGURE.)  
0. 1~1. 3N {10~130gf}

尚、本規格値は、出荷時に適用。  
THIS REQUIREMENT SHOULD BE APPLIED AT SHIPMENT.  
(但し、輸送時に剥離が発生しない事。)  
(PEEL OFF SHOULD NOT BE ALLOWED, DURING TRANSPORTATION.)

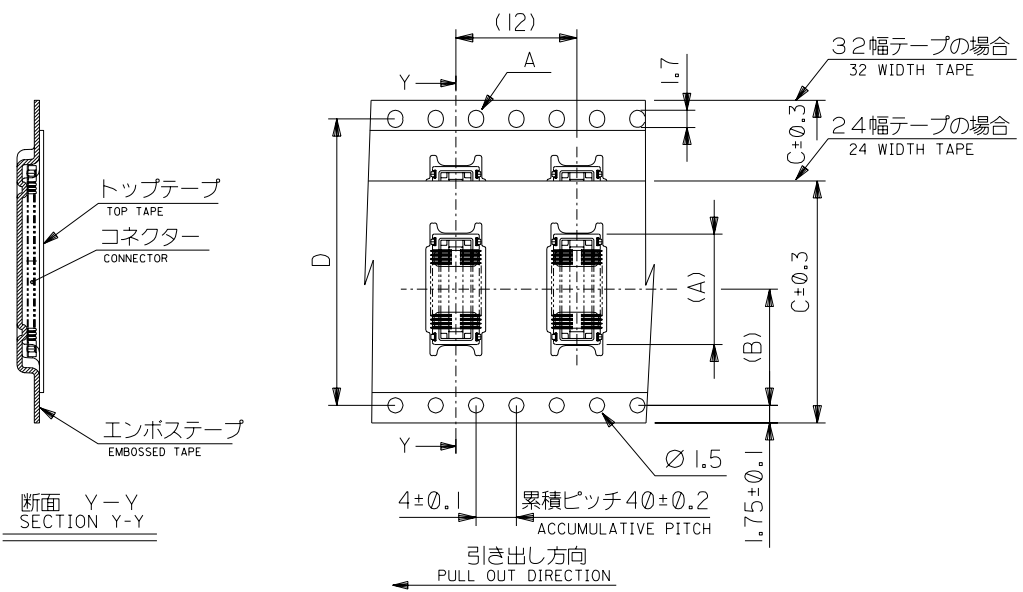


- 材料  
MATERIAL  
キャリアテープ：ポリプロピレン (PP)  
CARRIER TAPE: POLYPROPYLENE (PP)  
トップテープ：PET, PE, PEF  
TOP TAPE: PET, PE, PEF  
リール：ポリスチレン  
REEL: POLYSTYRENE
- 本製品は 500024-\*\*\*01 の鉛フリー品である。  
THIS PRODUCT IS LEAD FREE OF 500024-\*\*\*01

DO NOT SCALE DRAWING

EC NO. DRWN: CHK: APPR:		EC NO. DRWN: CHK: APPR:		EC NO. DRWN: CHK: APPR:		EC NO. DRWN: CHK: APPR:		EC NO. DRWN: CHK: APPR:		RELEASED EC NO.: J2004-2492 04/02/18 DRWN: H.SHIMABUKURO CHK: K.TOJO APPR: MSASAO		MATERIAL 材料 注記参照 SEE NOTES		GENERAL TOLERANCES: (UNLESS SPECIFIED) 一般公差		SCALE NONE		DESIGN UNITS <input checked="" type="checkbox"/> mm <input type="checkbox"/> INCH		THIRD ANGLE PROJECTION		500024-***71   MODEL NO.		DIMENSIONS: <input type="checkbox"/> mm <input type="checkbox"/> INCH <input checked="" type="checkbox"/> mm ONLY		SHT REV	
										FINISH 仕上げ 注記参照 SEE NOTES		10 UNDER 未満 ±0.2		DRAWN BY & DATE H.SHIMABUKURO 04/2/18		TITLE: 500024-***8 -LEAD FREE- TAPING PACKAGE											
										WIRE RANGE 適用電線範囲 #		10 OVER 30 UNDER 以上 未満 ±0.25		CHECKED BY & DATE K.TOJO 04/2/18		MOLEX MOLEX INCORPORATED											
										INS. RANGE 被覆外径 #		30 OVER 以上 ±0.3		APPROVED BY & DATE M. Sasaki 04/2/18		CAD FILENAME SD-500024-019.S01		MATERIAL NO. SEE CHART		DRAWING NO. SD-500024-019		SHEET NO. 1 OF 2					
												THIS DRAWING CONTAINS INFORMATION THAT IS PROPRIETARY TO MOLEX INCORPORATED AND SHOULD NOT BE USED WITHOUT WRITTEN PERMISSION.												SIZE B			

SD-500024-019-501



18.94	14.2	32	28.4	33.4	37.4	500024-8008	500024-8071	80
16.94	14.2		28.4			500024-7008	500024-7071	70
15.74	14.2		28.4			500024-6408	500024-6471	64
14.94	14.2		28.4			500024-6008	500024-6071	60
12.94	11.5	24	—#—	25.4	29.4	500024-5008	500024-5071	50
10.94	11.5		—#—			500024-4008	500024-4071	40
9.74	11.5		—#—			500024-3408	500024-3471	34
8.94	11.5		—#—			500024-3008	500024-3071	30
(A)	(B)	C	D	E	F	CONNECTOR	MATERIAL No.	CIRCUIT

EC NO. DRWN: CHK: APPR:		EC NO. DRWN: CHK: APPR:		EC NO. DRWN: CHK: APPR:		EC NO. DRWN: CHK: APPR:		EC NO. DRWN: CHK: APPR:		EC NO. DRWN: CHK: APPR:		REV		MATERIAL 材料 注記参照 SEE NOTES		GENERAL TOLERANCES: (UNLESS SPECIFIED) 一般公差		SCALE NONE		DESIGN UNITS <input checked="" type="checkbox"/> mm <input type="checkbox"/> INCH		MODEL NO. 500024-***71		DIMENSIONS: <input type="checkbox"/> mm <input type="checkbox"/> INCH <input checked="" type="checkbox"/> mm ONLY		SHT REV			
												DESCRIPTION SEE SHEET 1 OF 2		FINISH 仕上げ 注記参照 SEE NOTES		10 UNDER 未滿		10 OVER 30 UNDER 未滿		30 OVER 以上		DRAWN BY & DATE H.SHIMABUKURO 04/2/17		THIRD ANGLE PROJECTION		TITLE: 500024-***8 -LEAD FREE- TAPING PACKAGE			
												WIRE RANGE 適用電線範囲		—#—		±0.2		±0.25		±0.3		CHECKED BY & DATE K.TOJO 04/2/17		MATERIAL NO. SEE CHART		DRAWING NO. SD-500024-019		SHEET NO. 2	
												INS. RANGE 被覆外径		—#—		ANGLE 角度		*3°				APPROVED BY & DATE M. Saito 04/2/17		MATERIAL NO. SEE CHART		DRAWING NO. SD-500024-019		SHEET NO. 2	
																						THIS DRAWING CONTAINS INFORMATION THAT IS PROPRIETARY TO MOLEX INCORPORATED AND SHOULD NOT BE USED WITHOUT WRITTEN PERMISSION.		SIZE B		EN-02J(097) MXJ-54			