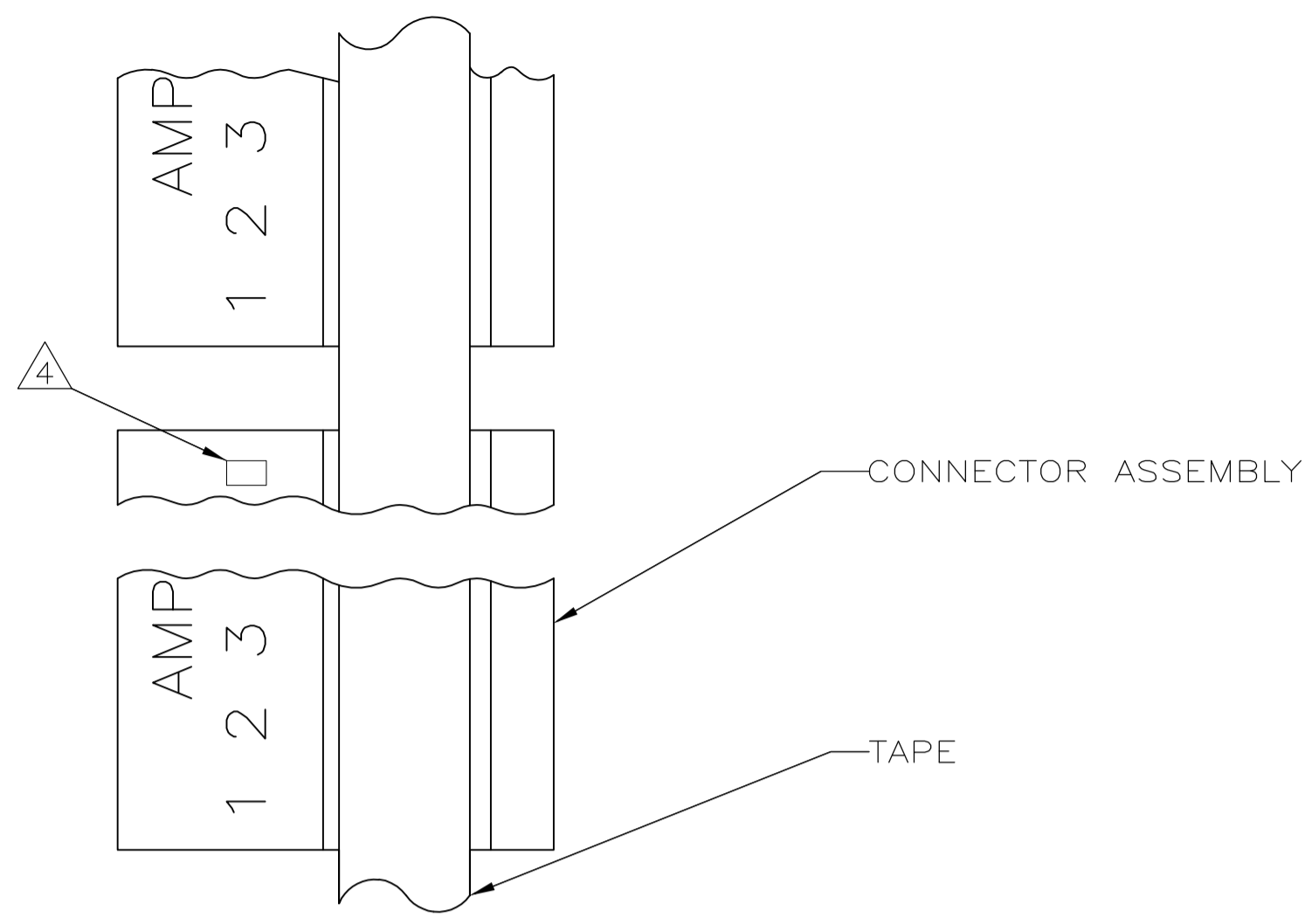
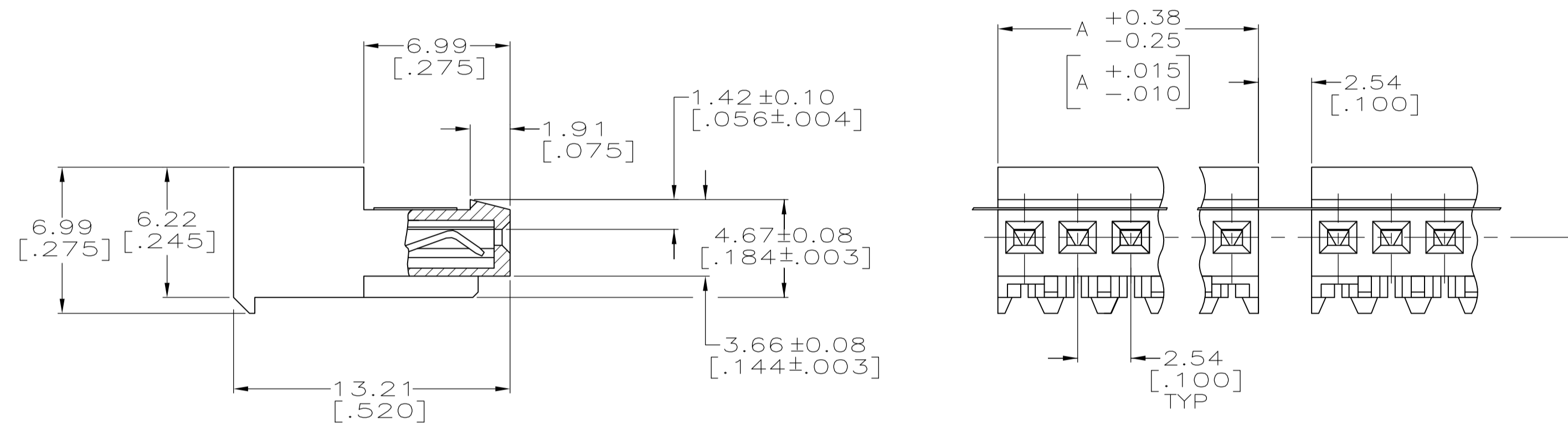


LOC		DIST		REVISIONS			
CM	00	REV	DATE	BY	APPV		
V		REVISED PER ECO-12-007492	03AUG12	KH	SM		



- 1 MATERIAL: CONNECTOR-NYLON UL94V-2  
CONTACTS-0.30 [.012] THICK COPPER ALLOY  
BRIGHT TIN-LEAD 0.00203 [.000080] MINIMUM THICK FOR CONTACTS  
640471-2 THRU 2-640471-8,  
MATTE WHISKER MITIGATED TIN PLATE 0.00203 [.000080] MINIMUM THICK OVER  
NICKEL UNDERPLATE FOR CONTACTS 3-640471-2 THRU 5-640471-8.
- 2 CONTACTS ACCEPT 28 AWG WIRE WITH 1.52 [.060] MAXIMUM INSULATION DIAMETER.
- 3 CONTACTS MUST ACCEPT 0.64±0.03 [.025±.001] SQUARE POST AND REMAIN  
LOCKED IN POSITION.
- 4 IDENTIFICATION NUMBER FOR LAST CIRCUIT MAY NOT APPEAR ON ALL ASSEMBLIES.
- 5 DIMENSIONS IN BRACKETS ARE IN INCHES.
- 6 HOUSING FEATURES ARE: CLOSED END WITH LOCKING RAMP.
- 7 OBSOLETE PARTS: OBSOLETE CIS STREAMLINING PER D.RENAUD/D.SINISI
- 8 GREEN COLOR STRIPE ON HOUSING (NOT SHOWN) MAY RUN DOWN BETWEEN RIBS.



71.12 [2.800]	28	5-640471-8
68.58 [2.700]	27	5-640471-7
66.04 [2.600]	26	5-640471-6
63.50 [2.500]	25	5-640471-5
60.96 [2.400]	24	5-640471-4
58.42 [2.300]	23	5-640471-3
55.88 [2.200]	22	5-640471-2
53.34 [2.100]	21	5-640471-1
50.80 [2.000]	20	5-640471-0
48.26 [1.900]	19	4-640471-9
45.72 [1.800]	18	4-640471-8
43.18 [1.700]	17	4-640471-7
40.64 [1.600]	16	4-640471-6
38.10 [1.500]	15	4-640471-5
35.56 [1.400]	14	4-640471-4
33.02 [1.300]	13	4-640471-3
30.48 [1.200]	12	4-640471-2
27.94 [1.100]	11	4-640471-1
25.40 [1.000]	10	4-640471-0
22.86 [.900]	9	3-640471-9
20.32 [.800]	8	3-640471-8
17.78 [.700]	7	3-640471-7
15.24 [.600]	6	3-640471-6
12.70 [.500]	5	3-640471-5
10.16 [.400]	4	3-640471-4
7.62 [.300]	3	3-640471-3
5.08 [.200]	2	3-640471-2
DIM A	NO.OF POSN	ASSEMBLY

71.12 [2.800]	28	2-640471-8
68.58 [2.700]	27	2-640471-7
66.04 [2.600]	26	2-640471-6
63.50 [2.500]	25	2-640471-5
60.96 [2.400]	24	2-640471-4
58.42 [2.300]	23	2-640471-3
55.88 [2.200]	22	2-640471-2
53.34 [2.100]	21	2-640471-1
50.80 [2.000]	20	2-640471-0
48.26 [1.900]	19	1-640471-9
45.72 [1.800]	18	1-640471-8
43.18 [1.700]	17	1-640471-7
40.64 [1.600]	16	1-640471-6
38.10 [1.500]	15	1-640471-5
35.56 [1.400]	14	1-640471-4
33.02 [1.300]	13	1-640471-3
30.48 [1.200]	12	1-640471-2
27.94 [1.100]	11	1-640471-1
25.40 [1.000]	10	1-640471-0
22.86 [.900]	9	640471-9
20.32 [.800]	8	640471-8
17.78 [.700]	7	640471-7
15.24 [.600]	6	640471-6
12.70 [.500]	5	640471-5
10.16 [.400]	4	640471-4
7.62 [.300]	3	640471-3
5.08 [.200]	2	640471-2
DIM A	NO.OF POSN	ASSEMBLY

SUPERSEDED  
CONTAINS LEAD

# METRIC

THIS DRAWING IS A CONTROLLED DOCUMENT.

DIMENSIONS: mm [INCHES]	TOLERANCES UNLESS OTHERWISE SPECIFIED:	DIN S. HOOVER 10-DEC-2004	TE Connectivity
0 PLC ±	± 0.13 [.005]	CHK: D. ROSSI 10-DEC-2004	
1 PLC ±	±	APPV: D. ROSSI 10-DEC-2004	NAME: MTA-100 CONNECTOR ASSEMBLY, 28 AWG, TAPE MOUNTED, STANDARD
2 PLC ±	±	PRODUCT SPEC	108-1050
3 PLC ±	±	APPLICATION SPEC	114-1019
4 PLC ±	±	SIZE	A1
ANGLES ±	±	WEIGHT	00779C=640471
MATERIAL	FINISH	CUSTOMER DRAWING	SCALE 5:1 SHEET 1 OF 1 REV V