

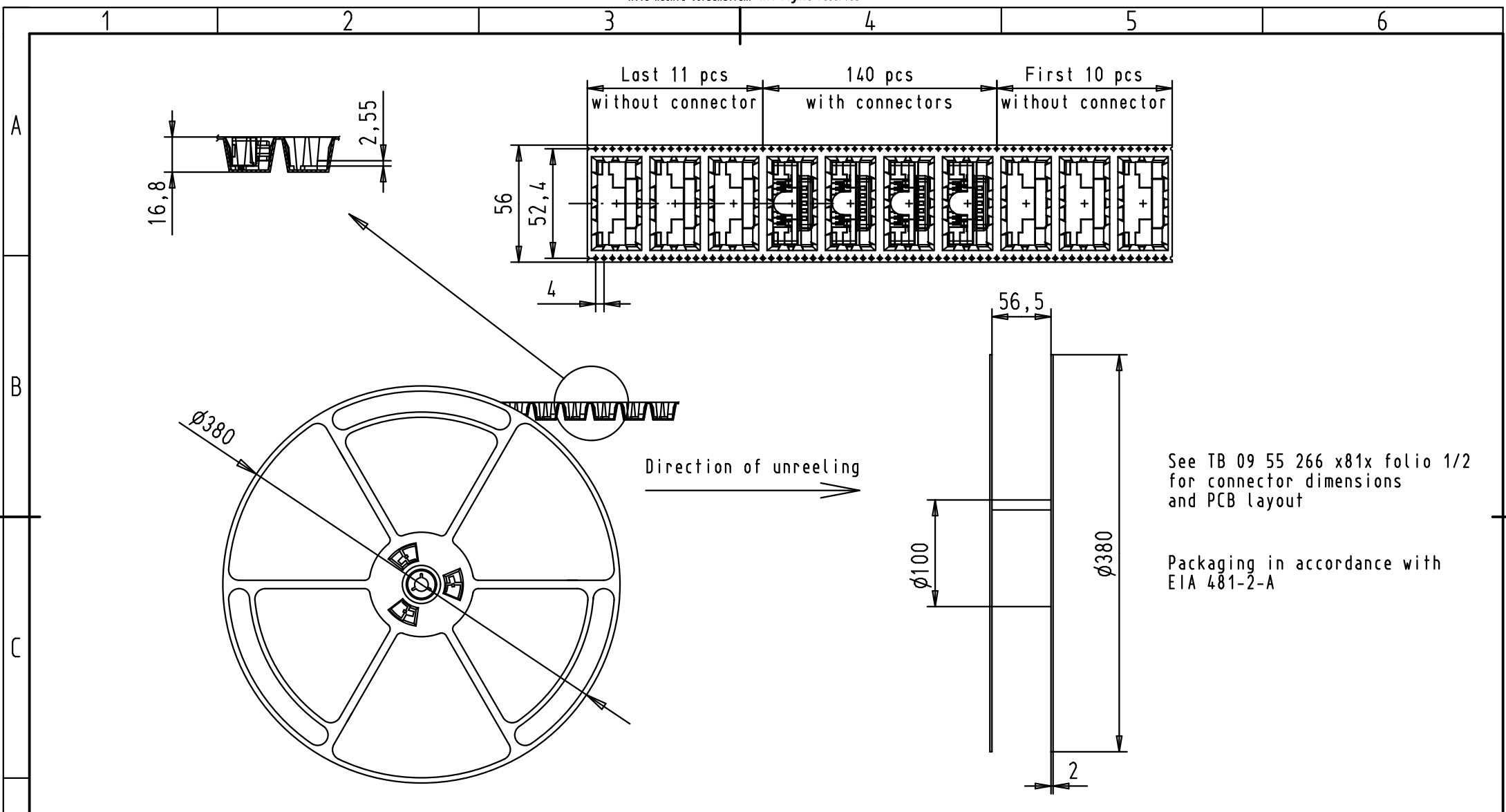


PCB Layout, component side (thickness 1,6mm min.)



Max. Temperature: 260°C during 10 seconds

| D | Part number     |    | PL       | Thread            | Index designation                                  | Mod. | Dat. | Name                          | Dot.       | Name  | <br>All Dim. in mm<br>Orig. Size DIN A 4 | D-SUB SMT<br>Standard Male 15p<br>with die casted grounds<br>and nuts | Maßstab/<br>Scale    |  |  |
|---|-----------------|----|----------|-------------------|--|------|------|-------------------------------|------------|---|---|---|----------------------|--|--|
|   | 1               | 2  |          |                   |  |      |      |                               |            |   |   |   | 1,5:1                |  |  |
|   | 09552663812.741 | 1  | 4-40 UNC | Black Insulator   | Reel Packaging<br>(140 connectors)<br>see page 2/2 |      |      |                               | Detail.    | 29Sep2009   | LP  |   |                      |  |  |
|   | 09552666812.741 | 2  |          |                   |  |      |      | EC02316                       | 30Aug2010  | ED  | Insp.   |   |                      |  |  |
|   | 09552667812.741 | 3  | M3       | Black Insulator   | Reel Packaging<br>(140 connectors)<br>see page 2/2 |      |      |                               | Stand.     |   |   |   |                      |  |  |
|   | 09552663811.741 | 1  |          |                   |  |      |      | EC01754                       | 30Apr2010  | ED  |   |   |                      |  |  |
|   | 09552666811.741 | 2  |          |                   |  |      |      | EC01257                       | 25Jan2010  | ED  |   |   |                      |  |  |
|   | 09552667811.741 | 3  |          |                   |  |      |      | EC00385                       | 29/09/2009 | LP  |   |   |                      |  |  |
|   | Part number     | PL | Thread   | Index designation | Mod.   | Dat. | Name | HARTING EURL<br>F-95972 Paris |            |  | TB 09 55 266 x81x   | Sub.  | Blatt/ Page<br>1 / 2 |  |  |



See TB 09 55 266 x81x folio 1/2 for connector dimensions and PCB layout

Packaging in accordance with EIA 481-2-A

|   |                 |    |          |                   |                                 |         |           |   |                               |           |   |   |                   |    |
|---|-----------------|----|----------|-------------------|---------------------------------|---------|-----------|---|-------------------------------|-----------|---|---|-------------------|----|
| D | 09552663812.741 | 1  | 4-40 UNC | Black Insulator   | Reel Packaging (140 connectors) |         |           |   | Dot.                          | Name      | <br>All Dim. in mm<br>Orig. Size DIN A 4 | D-SUB SMT<br>Standard Male 15p<br>with die casted grounds<br>and nuts | Maßstab/<br>Scale |    |
|   | 09552666812.741 | 2  |          |                   |                                 |         |           |   | Detail.                       | 17Jul2006 |   |   |                   | ED |
|   | 09552567812.741 | 3  |          |                   |                                 |         |           |   | Insp.                         |           |   |   |                   |    |
|   | 09552663811.741 | 1  | M3       |                   |                                 | EC02316 | 30Aug2010 | ED  | Stand.                        |           |   |   |                   |    |
|   | 09552666811.741 | 2  |          |                   |                                 | EC01257 | 25Jan2010 | ED  | HARTING EURL<br>F-95972 Paris |           |   |   |                   |    |
|   | 09552667811.741 | 3  |          |                   |                                 | EC01078 | 09Nov2009 | LP  |                               |           |   |   |                   |    |
|   | Part number     | PL | Thread   | Index designation | Mod.                            | Dot.    | Name      |  |                               | Sub.      | TB 09 55 266 x81x   | Blatt/ Page<br>2 / 2  |                   |    |