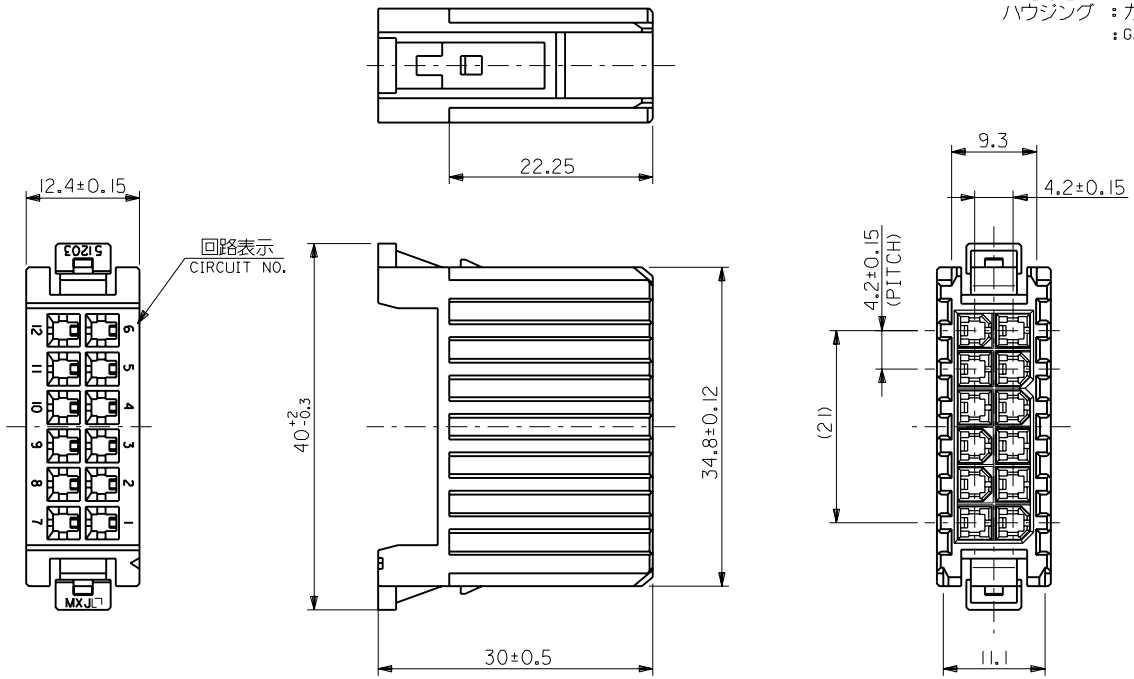


DWG. NO. SD-51203-002

注記
NOTES.

- 適合ターミナル : 5558****
APPLICABLE TERMINAL : 5558****
- 材質
MATERIAL
ハウジング : ガラス入りナイロン66 UL94V-0 色: 自然色
: G.F. NYLON UL94V-0 COLOR : NATURAL



51203-1200	51203-1200
------------	------------

MATERIAL NO	MODEL NO
-------------	----------

DIMENSIONS:	SHT	REV
<input type="checkbox"/> mm <input type="checkbox"/> INCH <input checked="" type="checkbox"/> mm ONLY		REVISE ON CAD ONLY

DO NOT SCALE DRAWING

EC NO. DRWN: CHK: APPR:	EC NO. DRWN: CHK: APPR:	EC NO. DRWN: CHK: APPR:
----------------------------------	----------------------------------	----------------------------------

REVISED '98/12/23
EC NO. JD90898
DRWN: Y. TETSUKA
CHK: S. AKIYAMA/YO.ITO
APPR: H. IKESUGI
RELEASED '98/9/9
EC NO. JD90377
DRWN: S. AKIYAMA
CHK: YO.ITO
APPR: H. IKESUGI

MATERIAL 材料	注記参照 SEE NOTES.
FINISH 仕上り	—
WIRE RANGE 適用電線範囲	—
INS. RANGE 被覆外径	—

GENERAL TOLERANCES: (UNLESS SPECIFIED) 一般公差	SCALE 2-1	DESIGN UNITS <input checked="" type="checkbox"/> mm <input type="checkbox"/> INCH	THIRD ANGLE PROJECTION
10 UNDER 未満	+0.2	DRAWN BY & DATE S. Akiyama '98/9/9	TITLE: POWER CONN. 12P PIN HOUSING
10 OVER 以上	+0.25	CHECKED BY & DATE Y. Ota	APPROVED BY & DATE S. Akiyama
30 UNDER 未満	+0.3	APPROVED BY & DATE S. Akiyama	MATERIAL NO. SEE CHART
30 OVER 以上	+0.3	CAD FILE NAME 51203002.S01	DRAWING NO. SD-51203-002
ANGLE 角度	+3°		SHEET NO. 1 OF 1

THIS DRAWING CONTAINS INFORMATION THAT IS PROPRIETARY TO MOLEX INCORPORATED AND SHOULD NOT BE USED WITHOUT WRITTEN PERMISSION.		SIZE B
--	--	-----------