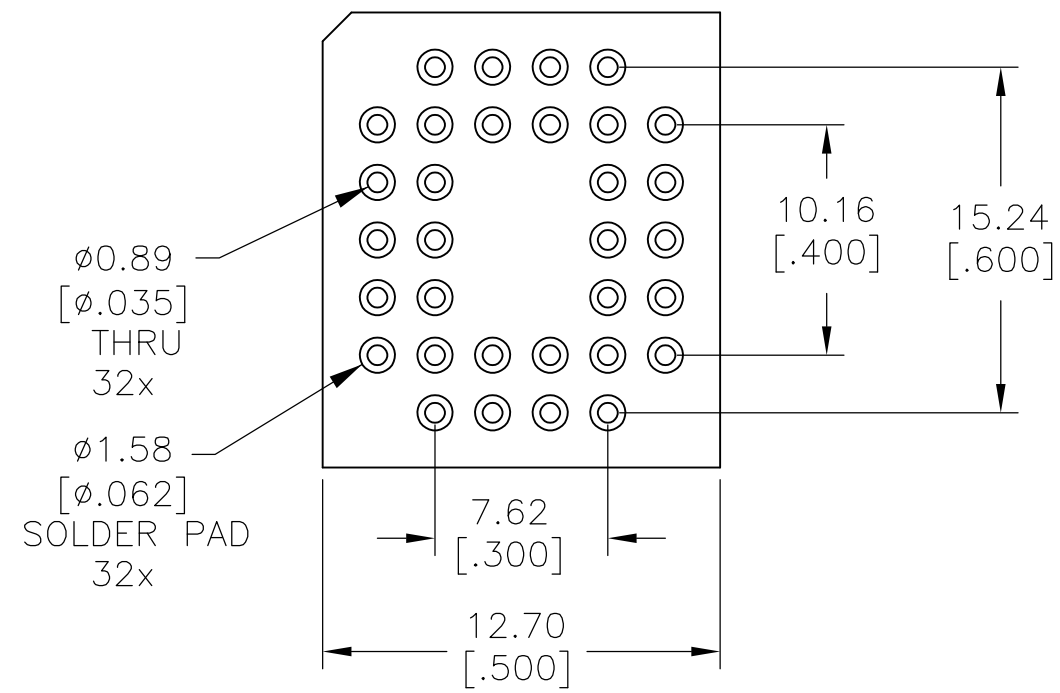


THIS DRAWING IS UNPUBLISHED. RELEASED FOR PUBLICATION  
 © COPYRIGHT - By - ALL RIGHTS RESERVED.

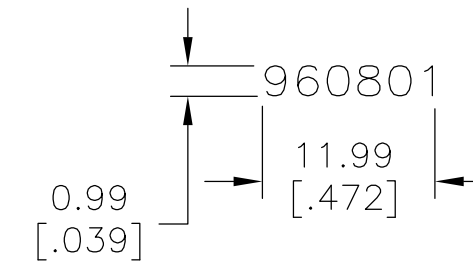
LOC		DIST		REVISIONS			
P	LTR	DESCRIPTION		DATE	DWN	APVD	
AD	00	C1		REVISED PER ECO-11-005027	11MAR11	RK	HMR



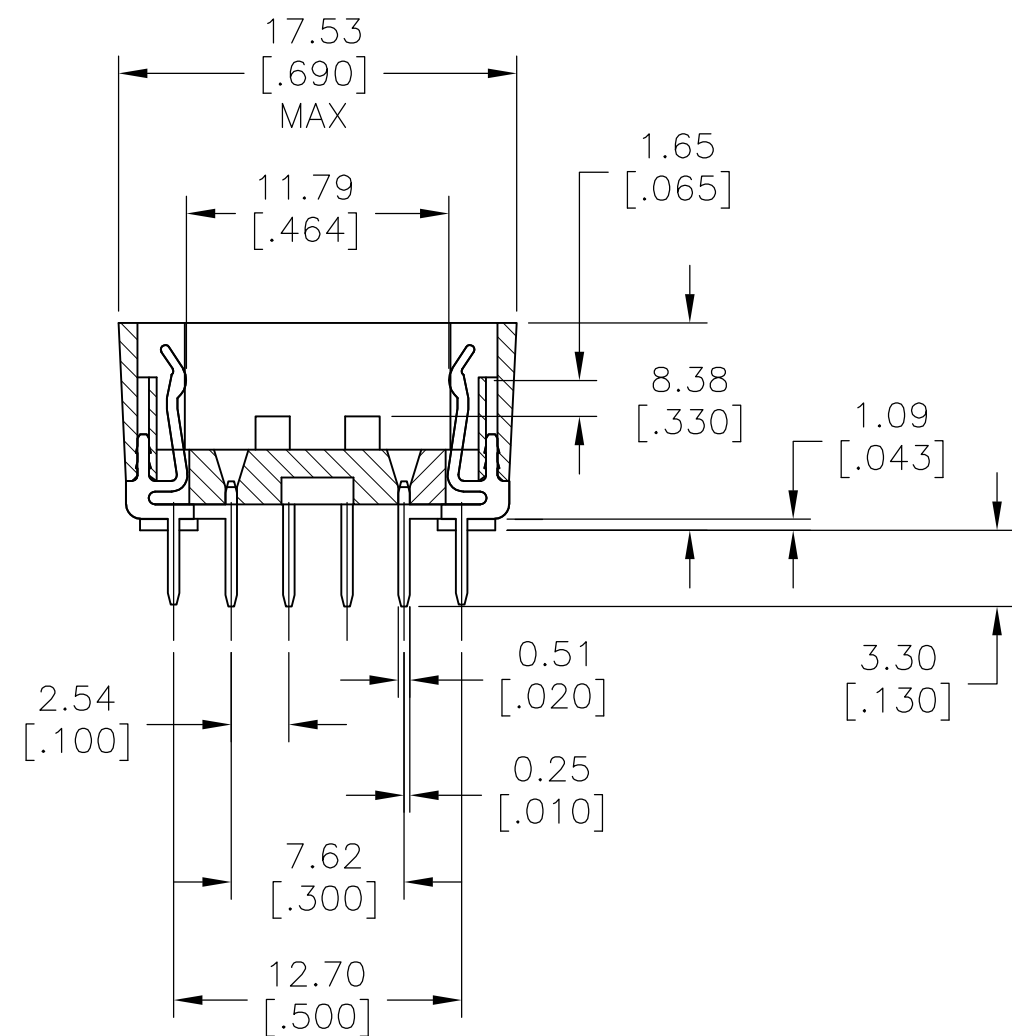
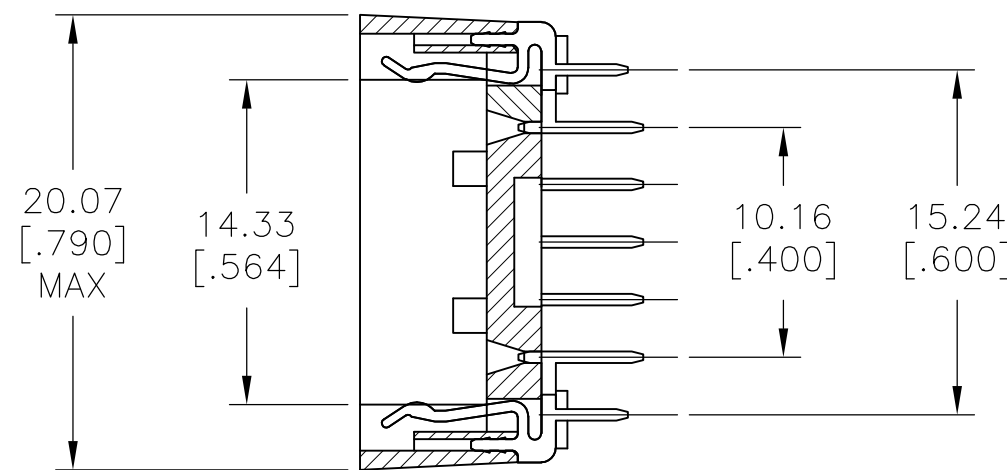
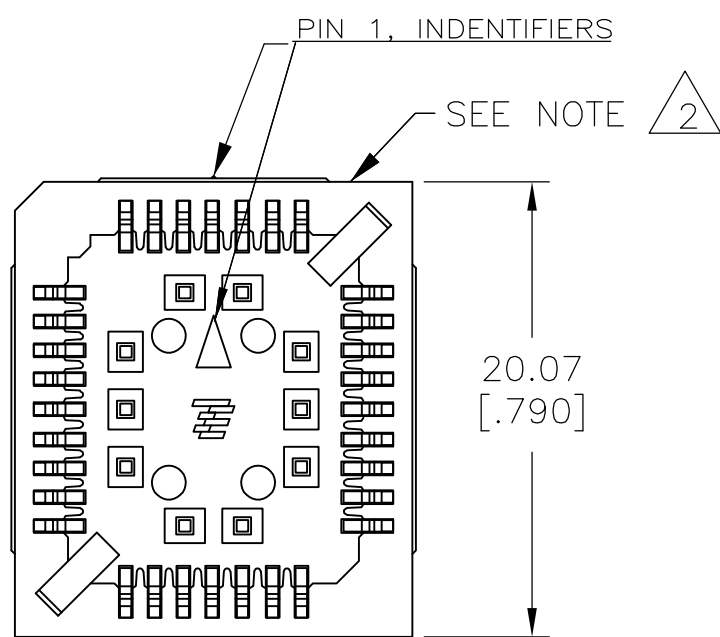
RECOMMENDED HOLE LAYOUT  
 TOLERANCE:  $\pm 0.05$  [.002]  
 UNLESS OTHERWISE NOTED

NOTES:

- 1 MATERIALS:  
 CONTACT: COPPER ALLOY, 0.004572[.000180] MIN TIN PLATE OVER 0.00127[.000050] MIN NICKEL.  
 INSULATOR: PPS, 40% GLASS FILLED, UL 94V-0
- 2 DATE CODE (PER BELOW) TO BE LASER CODED AND CENTERED ON THIS SURFACE.



3. UL RECOGNITION E320916.



32	1571540-1
POSITION	PT. NO.

THIS DRAWING IS A CONTROLLED DOCUMENT.		DWN D. MURREN 26AUG03	TE Connectivity	
DIMENSIONS: mm [INCHES]		CHK K.WRIGHT 26AUG03	NAME OUTLINE DRAWING PLCC SOCKET	
TOLERANCES UNLESS OTHERWISE SPECIFIED:		APVD K.WRIGHT 26AUG03	DRAWING NO 108-38000	
0 PLC ± -		PRODUCT SPEC	CAGE CODE 00779	
1 PLC ± -		APPLICATION SPEC	DRAWING NO 1571540	
2 PLC ± 0.25 [.010]			RESTRICTED TO -	
3 PLC ± -			SCALE 1:1	
4 PLC ± -			SHEET 1 of 1	
ANGLES ± 1°			REV C1	
FINISH		WEIGHT		
1		CUSTOMER DRAWING		