

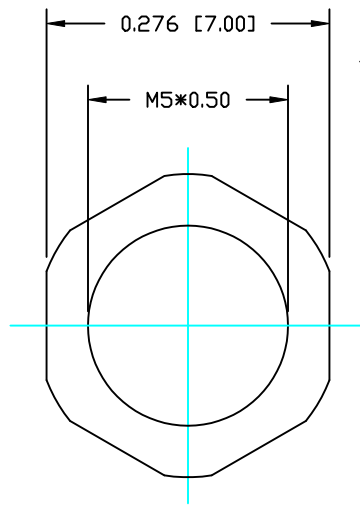
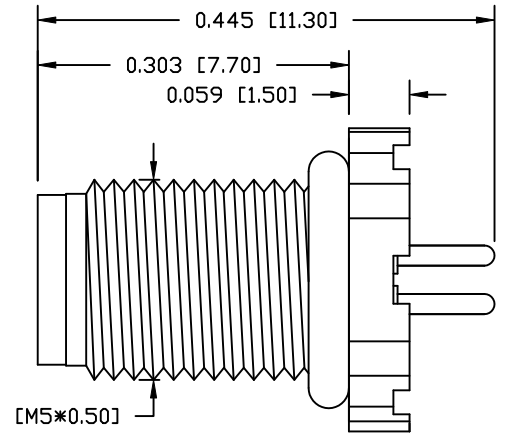
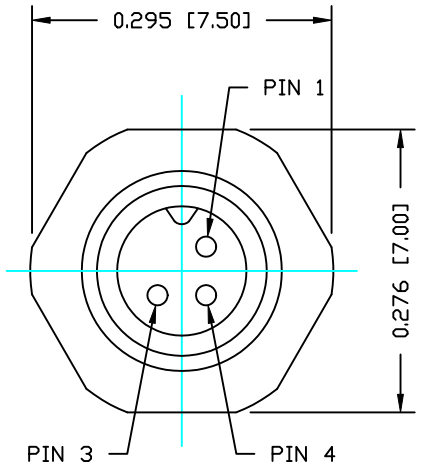
**DESCRIPTION: M5 MALE - PANEL MOUNT (REAR) - VERTICAL - 3 POSITION**

**NOTE:**

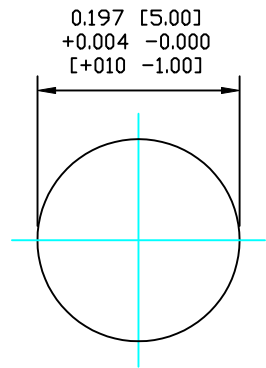
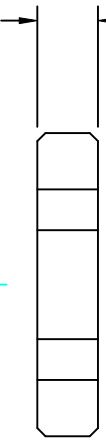
**MATERIAL**  
 HOUSING: PBT UL94V-0, BLACK  
 CONTACT: BRASS  
 NUT: BRASS  
 SHELL: BRASS  
 O-RING: NBR, BLACK

**FINISH**  
 CONTACT: GOLD PLATED  
 OVER 50µ NICKEL  
 NUT: NICKEL PLATED  
 SHELL: NICKEL PLATED

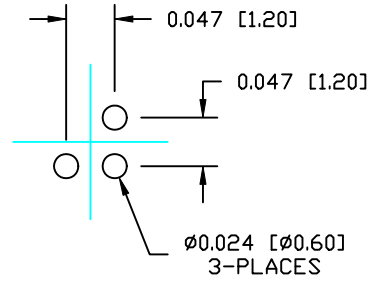
**ELECTRICAL**  
 RATED CURRENT: 1A  
 RATED VOLTAGE: 60V  
 INSULATION RESISTANCE: 100 mΩhms MIN.  
 CONTACT RESISTANCE: 10 MΩhms MAX.  
 WATER PROOF: IP67  
 ENVIRONMENT  
 OPERATION TEMPERATURE: -40°C TO +85°C



NUT



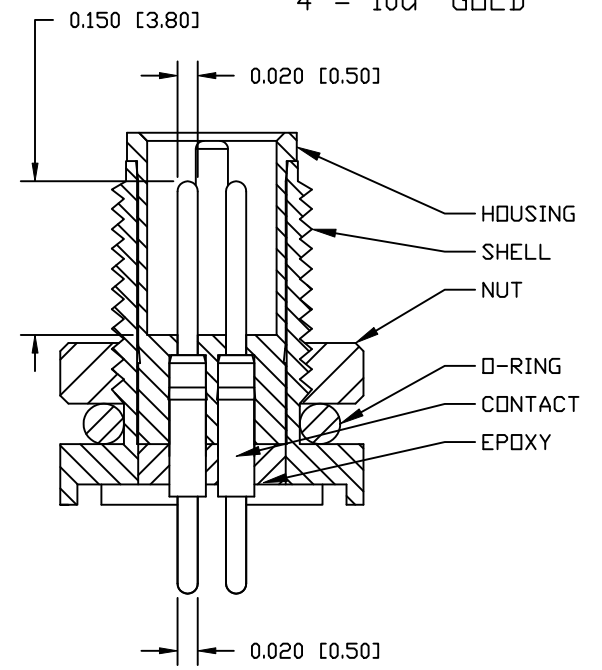
RECOMMENDED PANEL CUTOUT



RECOMMENDED PANEL PCB

**852-003-113R00Y**

1 = GOLD FLASH  
 4 = 10µ" GOLD



**RoHS COMPLIANT**

**DO NOT SCALE FROM DRAWING**



THESE DRAWINGS AND SPECIFICATIONS ARE THE PROPERTY OF NorComp AND SHALL NOT BE REPRODUCED, COPIED OR USED AS THE BASIS FOR THE MANUFACTURE OR SALE OF APPARATUS WITHOUT WRITTEN PERMISSION.

DRAWN: M. SIGMON  
 CHECKED:

DATE: 03-04-16  
 DATE:

**NorComp**

SCALE: NTS	SHEET 1 OF 1	REV 1
DWG NO. 852-003-113R00Y		