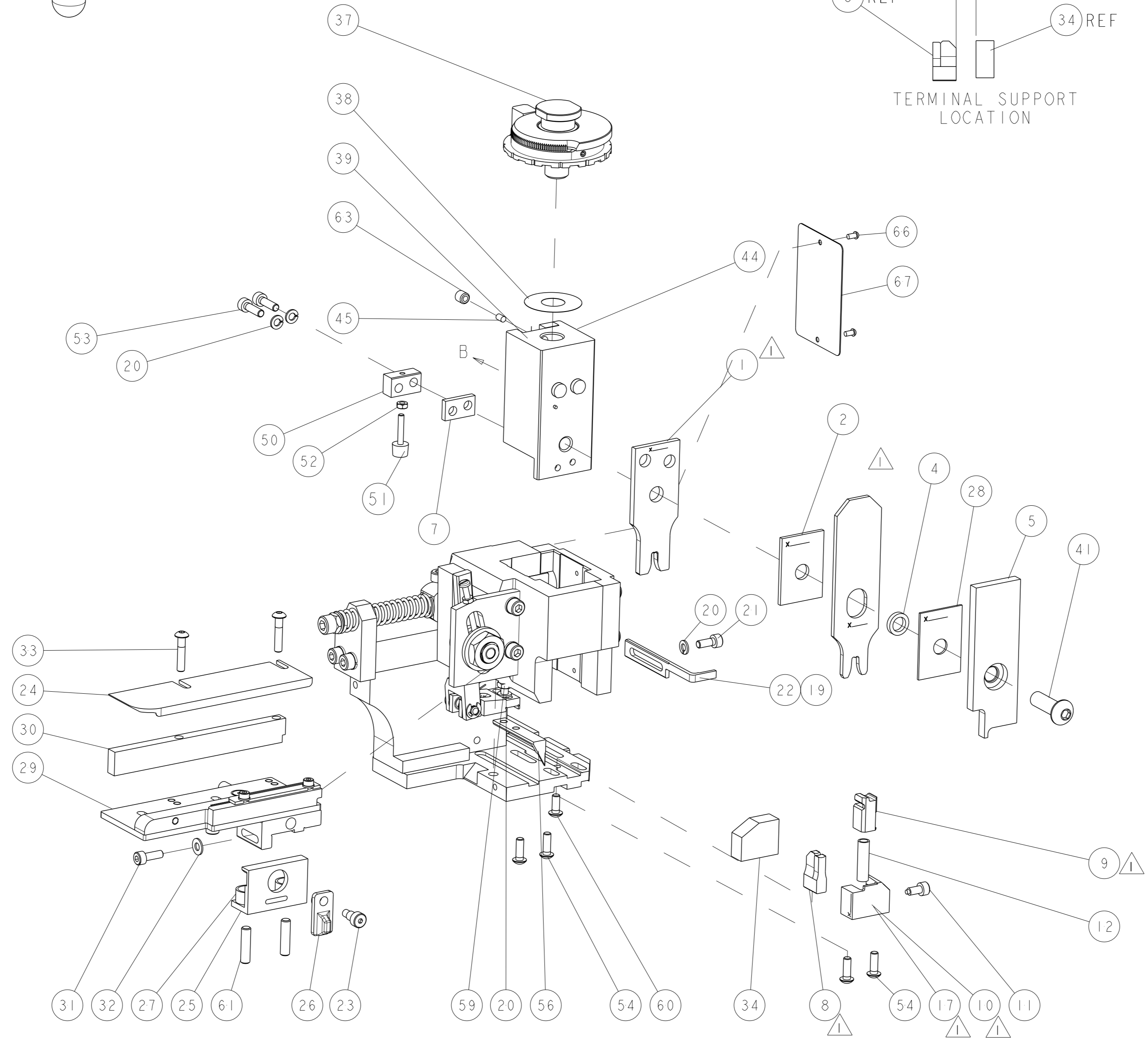
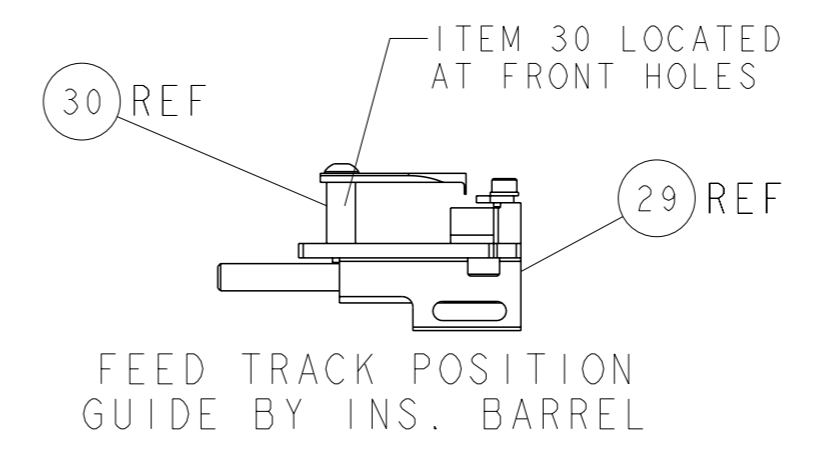
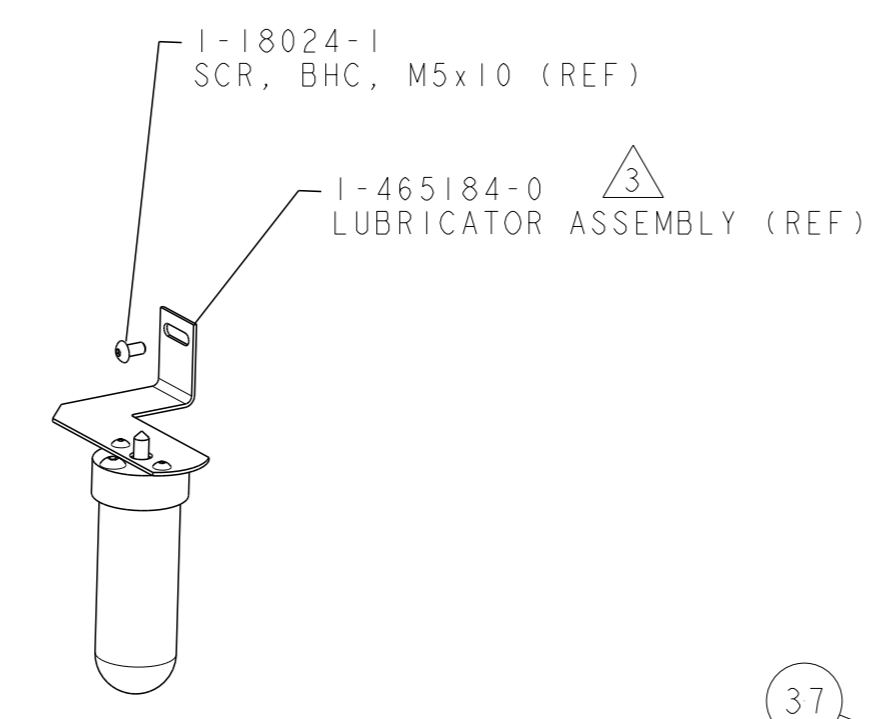
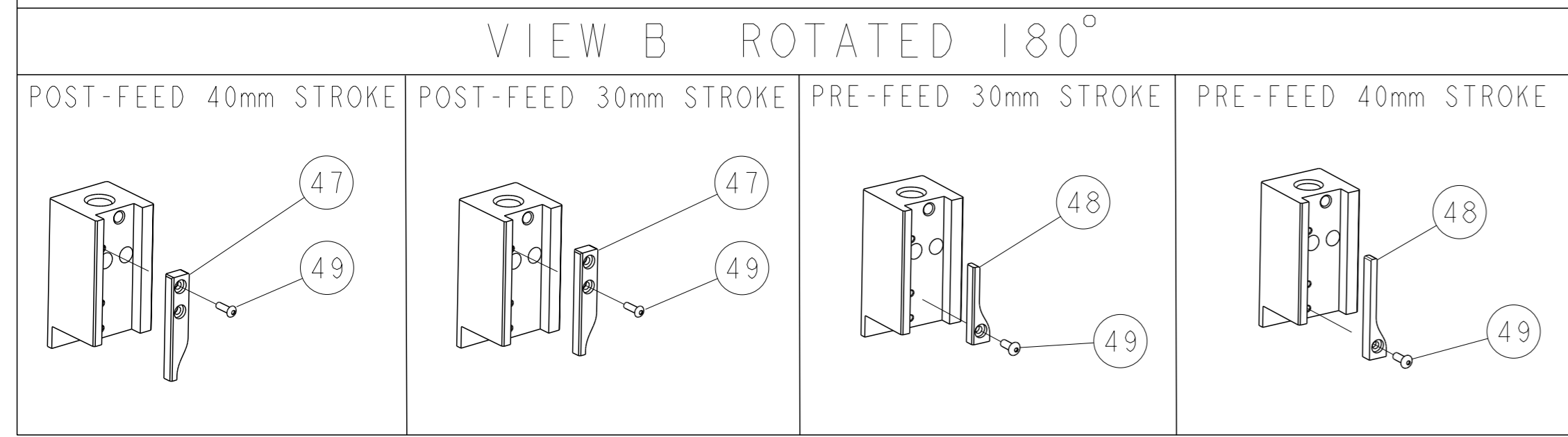


PART NUMBER	REV	TERMINATOR	FEED TYPE	DESCRIPTION
1528906-1	B	LEADMAKER	MECH POST FEED	CUTS CARRIER
1528906-2	B	BENCH	MECH PRE FEED	CUTS CARRIER
1528906-6	B	LEADMAKER	MECH POST FEED	CONTINUOUS CARRIER
7-1528906-1	B	LEADMAKER	MECH POST FEED	-1 AND SPARE PARTS
7-1528906-2	B	BENCH	MECH PRE FEED	-2 AND SPARE PARTS
7-1528906-6	B	LEADMAKER	MECH POST FEED	-6 AND SPARE PARTS
7-1528906-7	B	-	-	SPARE PARTS KIT

CRIMP DATA	DELPHI TERMINAL	DELPHI CRIMP SPECS
TERMINAL NAME: TERMINAL, BLADE, RECEPTACLE		
CRIMP	SIZE	TYPE RANGE
WIRE	3.56 [1.40 IN]	F 3.0-5.0mm <sup>2</sup>
INSUL	4.58 [1.80 IN]	F 3.15-3.70 [1.24-.146 IN]
WIRE STRIP LENGTH 4.60 [1.81 IN]		APPL INSTRUCTIONS 408-8322 & 408-8490
TERMINAL APPL SPEC	DELPHI CRIMP VALIDATION SHEETS	FEED 17.30 [.681 IN]
TERMINALS APPLIED		
TE PN	MANUF'S PN	
286736-1	12084588	
WIRE SIZE	CRIMP HEIGHT	REF SETTING
4.00mm <sup>2</sup>	2.30 ± 0.05 [.091 ± .002 IN]	B4
3.00mm <sup>2</sup>	2.20 ± 0.05 [.087 ± .002 IN]	C5

- △ RECOMMENDED SPARE PARTS.
- 2. GREASE RAM, CAM, CAM FOLLOWER AND FEED ROD LIGHTLY.
- △ CERTAIN TERMINALS REQUIRE LUBRICATION. REFER TO THE APPLICATOR INSTRUCTION SHEET FOR MORE INFORMATION.
- 4. LUBRICATE DAILY PER THE APPLICATOR INSTRUCTION SHEET SUPPLIED WITH THE APPLICATOR.
- △ ALL CRIMP DATA SUPPLIED BY TERMINAL MANUFACTURER.
- △ WIRE RANGE STATED IS THAT OF THE TERMINAL.
- △ THIS APPLICATOR HAS BEEN DESIGNED TO APPLY FLY TYPE INSULATION. INSULATION RANGE SHOWN IS THAT OF THE APPLICATOR.



\* WARNING  
ON INSTALLATION, SET WIRE DISC TO LARGEST WIRE SIZE SETTING. USE OF SETTINGS BELOW MIN. REQUIRED CRIMP HEIGHT SETTING WILL CAUSE DAMAGE TO CRIMP TOOLING.

PART NO	DESCRIPTION	ITEM NO
-	-	84
-	-	83
-	-	82
-	-	81
-	-	80
-	-	79
-	-	78
-	-	77
-	-	76
-	-	75
-	-	74
-77 -76 -72 -71 -6 -2 -1	PART NO	DESCRIPTION

SET UP GAGE  
458637-3

REVISIONS				
REV	DATE	BY	CHK	APPV
A	ECO-08-017552	17JUL2008	MB	MC
B	ECR-14-016658	07NOV2014	MY	GB

REV	DATE	BY	CHK	APPV	DESCRIPTION	ITEM NO	
-	-	-	-	-	-	73	
-	-	-	-	-	-	72	
-	1	1	1	1	1338705-3	DOCUMENTATION PACKAGE	71
-	-	-	-	-	-	70	
-	-	-	-	-	-	69	
-	-	-	-	-	-	68	
-	1	1	1	1	461264-5	PLATE, IDENTIFICATION	67
-	2	2	2	2	21017-2	SCREW, DRIVE	66
-	-	-	-	-	-	65	
-	-	-	-	-	-	64	
-	1	1	1	1	3-18031-0	SCR, SET, CUP POINT M6 X 6.0	63
-	-	-	-	-	-	62	
-	2	2	2	2	2-18032-5	SCR, SET, FLT POINT M5 X 20.0	61
-	1	1	1	1	18024-7	SCR, BTN SKT HD CAP (M4 X 10.0)	60
-	1	1	1	1	5-18022-2	SCR, HEX HD CAP M4 X 8.0	59
-	-	-	-	-	-	58	
-	-	-	-	-	-	57	
-	1	1	1	1	1338685-1	PAWL, FEED	56
-	-	-	-	-	-	55	
-	4	4	4	4	18024-8	SCR, BTN SKT HD CAP (M4 X 12.0)	54
-	2	2	2	2	9-18023-6	SCR, SKT HD CAP M4 X 14.0	53
-	1	1	1	1	18030-1	NUT, HEX, REG M3	52
-	1	1	1	1	811242-9	BUMPER, HOLD DOWN	51
-	1	1	1	1	690753-2	SPACER, TONKER	50
-	1	1	1	1	18024-3	SCR, BTN SKT HD CAP (M3 X 10.0)	49
-	-	-	-	-	1338675-1	CAM, UNIVERSAL PRE FEED	48
-	1	1	1	1	1338676-1	CAM, UNIVERSAL POST-FEED	47
-	1	1	1	1	1320999-3	APPLICATOR SUBASSEMBLY, HDI	46
-	1	1	1	1	690191-1	PLUG, NYLON	45
-	1	1	1	1	1333257-1	RAM	44
-	-	-	-	-	-	43	
-	-	-	-	-	-	42	
-	1	1	1	1	2-18024-6	SCR, BTN SKT HD CAP (M8 X 25.0)	41
-	-	-	-	-	-	40	
-	1	1	1	1	690125-1	SHIM SUB-ASSY	39
-	1	1	1	1	469367-2	SHIM	38
-	1	1	1	1	879103-2	FINE ADJUST HEAD ASSEMBLY	37
-	-	-	-	-	-	36	
-	-	-	-	-	-	35	
-	1	1	1	1	1320934-2	SUPPORT, TERMINAL	34
-	2	2	2	2	1-18024-0	SCR, BTN SKT HD CAP (M4 X 20.0)	33
-	1	1	1	1	18027-2	WASHER, FLAT, REG M4	32
-	1	1	1	1	1-18023-2	SCR, SKT HD CAP M4 X 12.0	31
-	1	1	1	1	1320908-2	SPACER, STRIP GUIDE	30
-	1	1	1	1	1633073-1	STRIP GUIDE ASSEMBLY	29
-	1	1	1	1	1-455888-0	SPACER, CRIMPER	28
-	2	2	2	2	1-22284-0	SPRING, COMPRESSION	27
-	1	1	1	1	356835-1	LEVER, DRAG RELEASE	26
-	1	1	1	1	240792-1	DRAG, TERMINAL	25
-	1	1	1	1	1320928-1	STRIP GUIDE	24
-	1	1	1	1	980371-4	SCR, SKT HD SHLDR 5.0 DIA X 6.0	23
-	1	1	1	1	690472-2	STRIPPER	22
-	1	1	1	1	1-18023-1	SCR, SKT HD CAP M4 X 10.0	21
-	4	4	4	4	18025-2	WASHER, SPRG LOCK, REG M4	20
-	-	-	-	-	690472-1	STRIPPER	19
-	-	-	-	-	-	18	
-	1	1	1	1	1338684-1	SHEAR HOLDER, FRONT	17
-	-	-	-	-	-	16	
-	-	-	-	-	-	15	
-	-	-	-	-	-	14	
-	-	-	-	-	-	13	
-	1	1	1	1	3-22280-3	SPRING, COMPRESSION	12
-	1	1	1	1	356885-4	STOP, SHEAR	11
-	-	-	-	-	1320921-1	SHEAR HOLDER, FRONT, CUT	10
-	1	1	1	1	454276-1	FLOATING SHEAR, FRONT	9
1	2	2	2	2	9-1633138-2	ANVIL, COMBINATION	8
-	1	1	1	1	240641-5	SPACER	7
-	-	-	-	-	-	6	
-	1	1	1	1	3-455889-6	DEPRESSOR, SHEAR	5
-	1	1	1	1	238011-4	BLOCK, CRIMPER SPACER	4
1	2	2	2	2	1-1213077-0	CRIMPER, INSULATION PREMIUM	3
-	1	1	1	1	1-455888-9	SPACER, CRIMPER	2
1	2	2	2	2	2-456411-2	CRIMPER, WIRE PREMIUM	1

THIS DRAWING IS A CONTROLLED DOCUMENT.

APPROVED: M. CLIFFORD 04JUNE08

NAME: FINE ADJUST SIDE FEED HDI APPLICATOR

SIZE: A1

SCALE: 3:5

Customer Accessible Production Drawing