

MATERIALS AND FINISHES

BODY: BRASS  
PLATED TRI-M

CONTACT: BRASS  
PLATED SILVER

INSULATOR: TEFLON

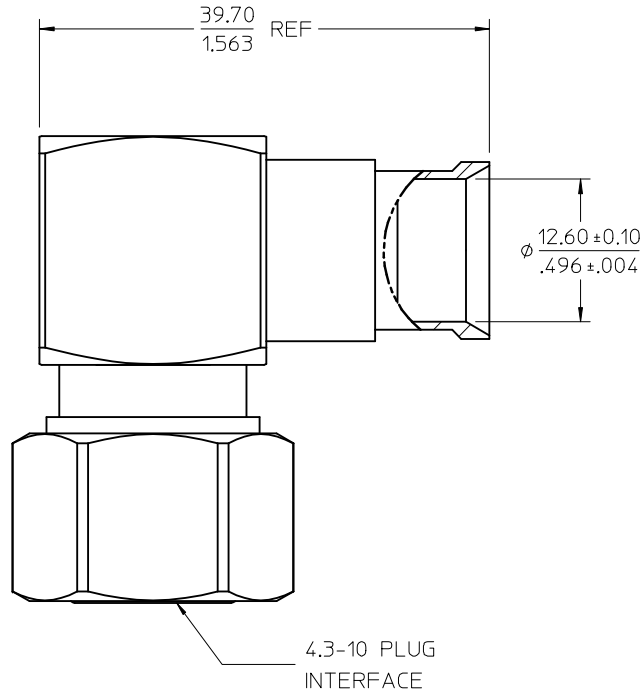
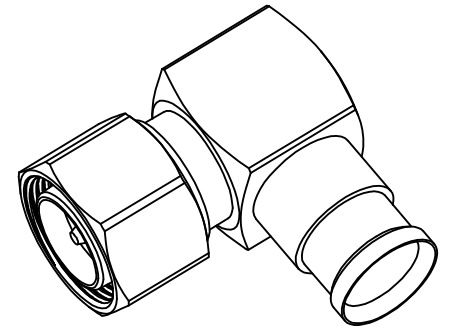
COUPLING NUT: BRASS  
PLATED NICKEL

O-RING: SILICONE RUBBER

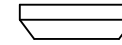
NOTE: CONNECTORS SHIPPED  
WITH POLYETHYLENE  
DUST CAP

PERFORMANCE REQUIREMENTS:

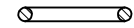
FREQUENCY RANGE: 0-6GHz  
IMPEDANCE: 50 OHM  
WITHSTAND VOLTAGE(AC): 1500V @0.5mA  
VSWR: ≤1.10(0-3GHz)  
PIM3(2x20W): ≤-160dBc@1800MHz  
WATER-PROOF: IP68 WHEN MATED



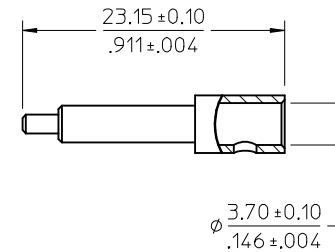
COVER



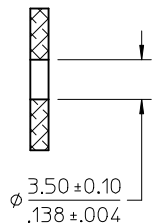
O-RING



CONTACT



INSULATOR SPACER



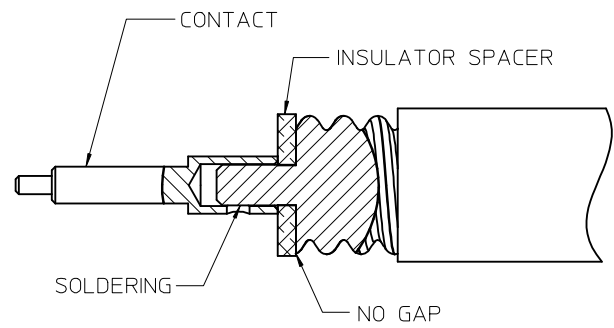
4.3-10 PLUG  
INTERFACE

73162-6161	ONE PIECE PER CARTON
73162-6160	BLANK
PART NO.	PACKAGING

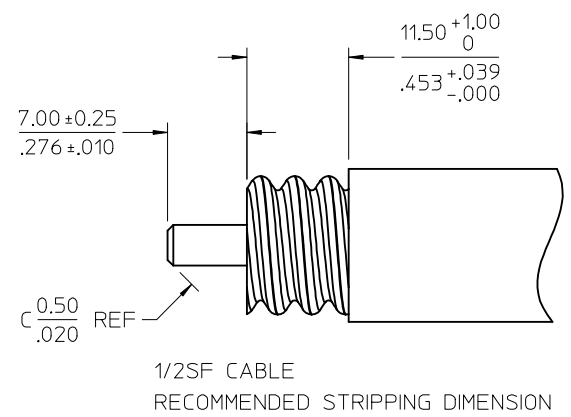
IEC61169-54	INTERFACE
SPECIFICATION	DESCRIPTION

CHG: DRAWING UPDATE EC NO: URF2017-0127 DRWN:YHUANG11 2016/12/21 CHKD: APPR:MYE08 2016/12/28 REV:	QUALITY SYMBOLS	GENERAL TOLERANCES (UNLESS SPECIFIED)	DIMENSION STYLE	SCALE	DESIGN UNITS	THIRD ANGLE PROJECTION
	▽=0	mm INCH	MM/IN	METRIC	◎	
	▽=0	4 PLACES ± --- ± ---	DRAWN BY DATE	TITLE	4.3-10 PLUG R/A,50 OHM FOR 1/2SF CA, SOLDERING	
	▽=0	3 PLACES ± --- ± ---	CHECKED BY DATE	4.3-10-R/A-PS		
		2 PLACES ± --- ± ---	MXU11 2015/12/04			
		1 PLACE ± --- ± ---	APPROVED BY DATE			
		0 PLACE ± --- ± ---	MYE08 2016/02/29			
		ANGULAR ± 2°	MATERIAL NO.	DOCUMENT NO.	SHEET NO.	
		DRAFT WHERE APPLICABLE MUST REMAIN WITHIN DIMENSIONS	SEE TABLE	SD-73162-616	1 OF 2	
			THIS DRAWING CONTAINS INFORMATION THAT IS PROPRIETARY TO MOLEX INCORPORATED AND SHOULD NOT BE USED WITHOUT WRITTEN PERMISSION			

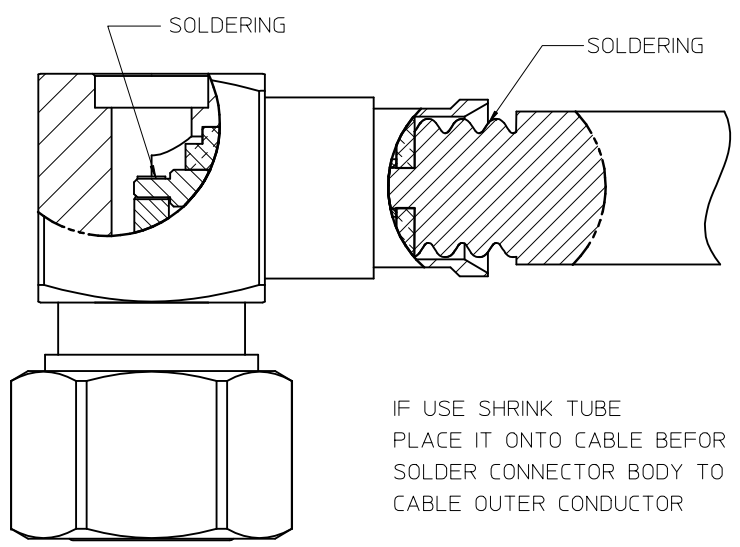
STEP 2



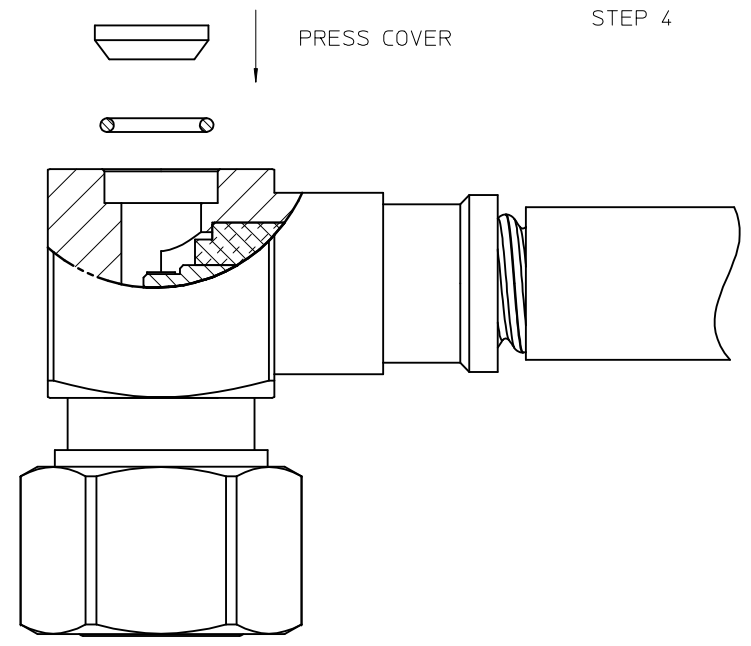
STEP 1



STEP 3



STEP 4



CHG: SEE SHEET 1 EC NO: URF2017-0127 DRAWN: YHUANG11 2016/12/21 CHKD: APPR: MYE08 2016/12/28	QUALITY SYMBOLS ▽=0 ▽=0 ▽=0	GENERAL TOLERANCES (UNLESS SPECIFIED)		DIMENSION STYLE MM/IN		SCALE	DESIGN UNITS METRIC	THIRD ANGLE PROJECTION	
		4 PLACES ± --- ± ---	3 PLACES ± --- ± ---	2 PLACES ± --- ± ---	1 PLACE ± --- ± ---	0 PLACE ± --- ± ---	ANGULAR ± 2 °	DRAWN BY YHUANG11 DATE 2015/12/04 CHECKED BY MXU11 DATE 2015/12/04 APPROVED BY MYE08 DATE 2016/02/29	
A2	DESCRIPTION	DRAFT WHERE APPLICABLE MUST REMAIN WITHIN DIMENSIONS		SEE TABLE		DOCUMENT NO. SD-73162-616		SHEET NO. 2 OF 2	
THIS DRAWING CONTAINS INFORMATION THAT IS PROPRIETARY TO MOLEX INCORPORATED AND SHOULD NOT BE USED WITHOUT WRITTEN PERMISSION									