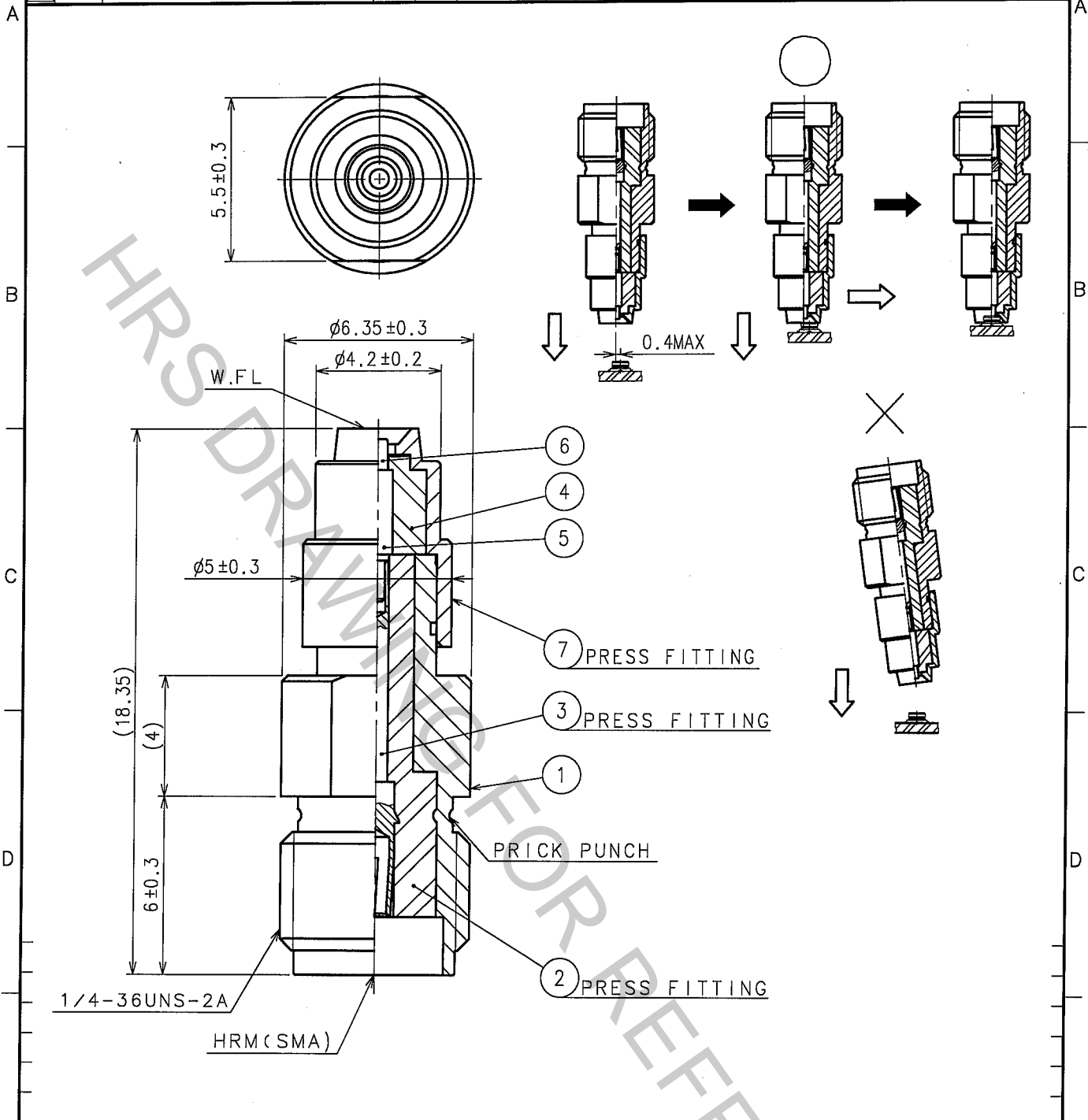


1		2			3			4		
COUNT	DESCRIPTION OF REVISIONS	BY	CHKD	DATE	COUNT	DESCRIPTION OF REVISIONS	BY	CHKD	DATE	
△				..	△				..	
△				..	△				..	
△				..	△				..	



4	PTFE		7	STAINLESS STEEL	GOLD PLATING
3	BERYLLIUM COPPER	GOLD PLATING	6	BERYLLIUM COPPER	GOLD PLATING(FREE CONTACT)
2	PTFE		5	BRASS	GOLD PLATING
1	BRASS	NICKEL PLATING			
NO.	MATERIAL	FINISH, REMARKS	NO.	MATERIAL	FINISH, REMARKS

CODE NO. (OLD) CL311-0386-8-00		DRAWN <i>N. Ninomiya</i> 05.05.21	DESIGNED <i>N. Ninomiya</i> 05.05.21	CHECKED <i>M. Yamane</i> 05.05.23	APPROVED <i>J. Matsui</i> 05.05.24	RELEASED
ROHS COMPLIANT						

 SCALE <b>5 : 1</b> UNITS mm	DRAWING NO. <b>EDC4-302680-40</b>	PART NO. <b>HRMJ-W.FLP-ST1(40)</b>
	 <b>HIROSE ELECTRIC CO., LTD.</b>	CODE NO. <b>CL311-0386-8-40</b>

TO  
RF

