

BRUSH DC MOTORS



Brush DC 8mm



Brush DC 16mm



Motor Coil Cross Section



Brush DC 35mm

Portescap

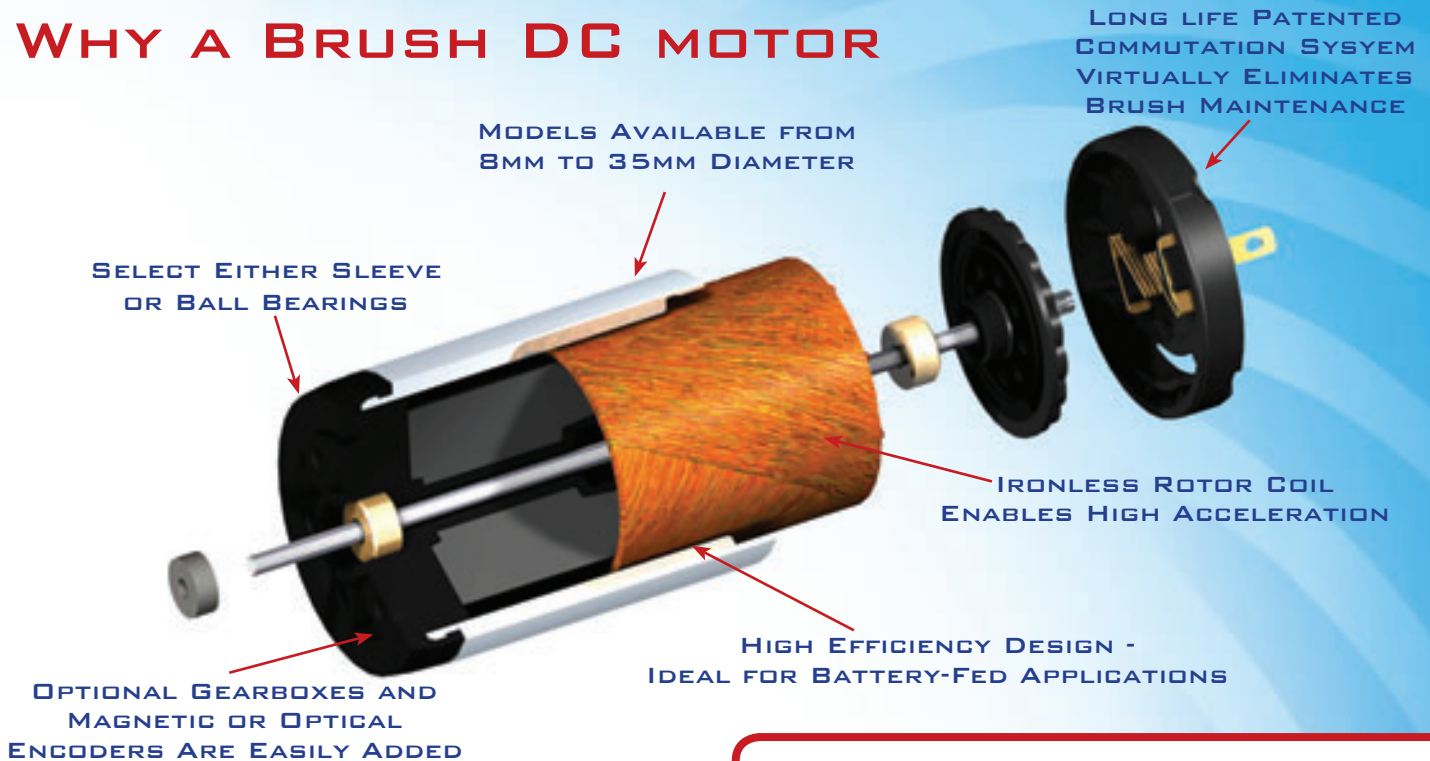
A Danaher Motion Company

Your miniature motion challenges are unique and your ideas for meeting those challenges are equally unique. From medical to aerospace or security and access, Portescap's brush DC motion solutions are moving life forward worldwide in critical applications. The following Brush DC section features our high efficiency and high power density with low inertia coreless brush DC motor technology.

WHY A BRUSH DC MOTOR	50
BRUSH DC SPOTLIGHT ON INNOVATION	51
BRUSH DC MOTOR BASICS	52
BRUSH DC WORKING PRINCIPLES	55
HOW TO SELECT YOUR BRUSH DC MOTOR	57
BRUSH DC SPECIFICATIONS	58
WHERE TO APPLY BRUSH DC MOTORS	59
BRUSH DC MOTORS AT WORK	60



WHY A BRUSH DC MOTOR



INNOVATION & PERFORMANCE

Portescap's brush DC coreless motors incorporate salient features like low moment of inertia, no cogging, low friction, very compact commutation which in turn results in high acceleration, high efficiency, very low joule losses and higher continuous torque.

Ideal for portable and small devices, Portescap's coreless motor technologies reduce size, weight, and heat in such applications. This results in improved motor performance in smaller physical envelopes thus offering greater comfort and convenience for end-users. In addition, the coreless design enables long-life and higher energy efficiency in battery-powered applications.

Portescap continues innovating coreless technology by seeking design optimizations in magnetic circuit, self supporting coreless coil along with commutator and collector configurations.

Get your products to market faster through Portescap's rapid prototyping and collaborative engineering. Our R&D and application engineering teams can adapt brush DC coreless motors with encoders and gearboxes to perform in different configuration, environment, or envelope.

STANDARD FEATURES

- Max continuous torque ranging from 0.66 to 158.6 mNm
- Speed ranging from 11,000 RPM (8mm) to 5,500 RPM (35mm)
- Motor regulation factor(R/K^2) ranging from 1,900 to $.3 \cdot 10^3/Nms$

• Brush DC commutation design

Longer commutator life because of the design.

• REE system

Stands for Reduction of Electro Erosion. The electro erosion, caused by arcing during commutation, is greatly reduced in low inertia coreless DC motors because of the low inductivity of their rotors.

• NEO magnet

The powerful Neodymium magnets along with enhanced air gap design thus giving higher electro-magnetic flux and a lower motor regulation factor.

• Coreless rotor design

Optimized coil and rotor reduces the weight and makes it compact.

YOUR CUSTOM MOTOR

- Shaft extension and double shaft options
- Custom coil design (different voltages)
- Mounting plates
- Gear pulleys and pinion
- Shock absorbing damper and laser welding
- Special lubrication for Civil aviation and medical applications
- EMI filtering
- Cables and connectors
- Gearboxes

SPOTLIGHT ON INNOVATION



Innovation is a passion at Portescap. It defines your success, and defines our future. We help you get the right products to market faster, through rapid prototyping and collaborative engineering. With experienced R&D and application engineering teams in North America, Europe, and Asia, Portescap is prepared to create high-quality precision motors, in a variety of configurations and frame sizes for use in diverse environments.

Demanding application?

Portescap is up for the challenge. Take our latest innovation Athlonix in high power density motors. Ultra-compact, and designed for lower joule heating for sustainable performance over the life of your product, Portescap's Athlonix motors deliver unparalleled speed-to-torque performance. And better energy efficiency brings you savings while helping you achieve your green goals.



Athlonix motors are available in 12, 16, and 22mm.

More Endurance. Higher Power Density. Smaller Package



Looking for a lighter motor with more torque?

35GLT brush dc coreless motor from Portescap might be the solution for your needs. The 35GLT provides a 40% increase in torque-to-volume ratio over most average iron core motors. A featured multi-layer coil improves performance and offers insulating reinforcement, resulting in improved heat dissipation. Weighing in at only 360 grams and providing an energy efficiency of 85%, the 35GLT offers less power draw and excellent space savings.



The quest for high-resolution feedback with accuracy in speed is the essence of Portescap's innovative **MR2 magneto resistive encoder**. These miniature encoders accommodate motors from frame sizes of 8mm to 35mm with superior integration schemes to facilitate a compact assembly with motors. And, with a resolution of 2 to 1024 lines, Portescap's MR2 encoders meet your application requirements today - while flexibly adapting to your evolving needs.

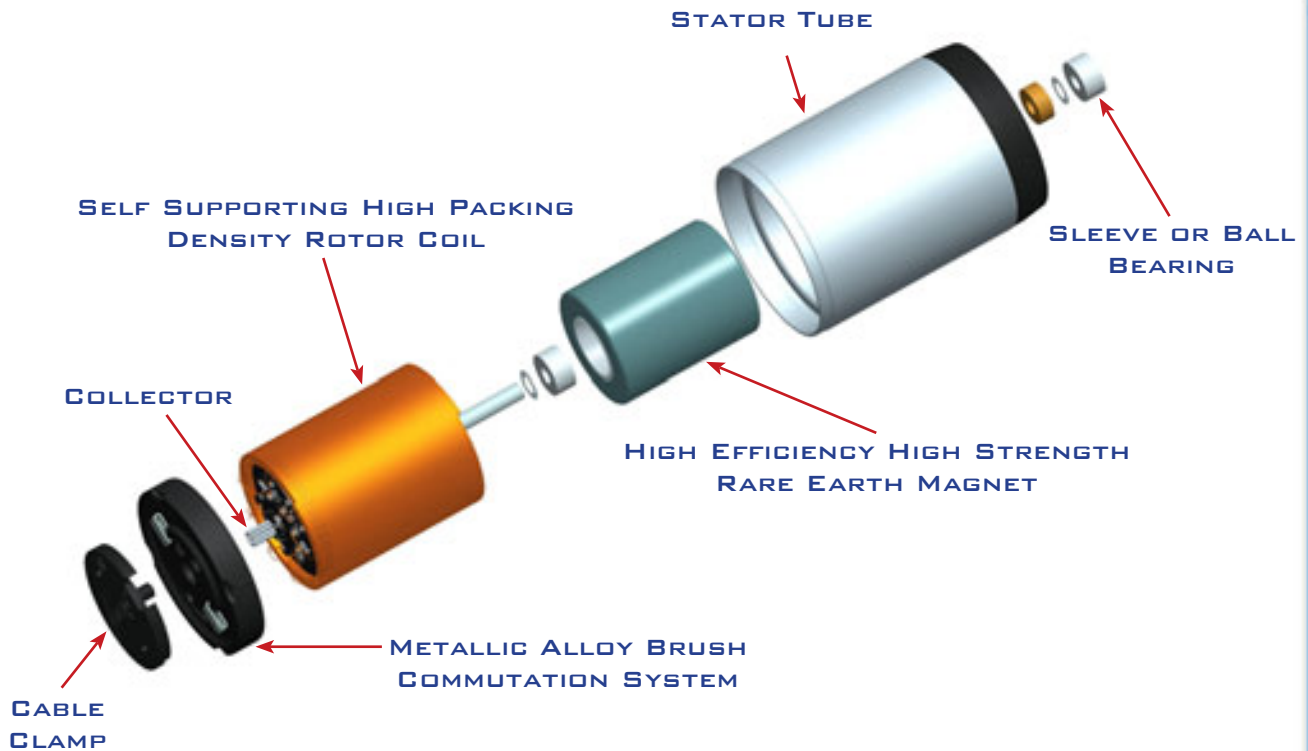


BRUSH DC MOTOR BASICS

CONSTRUCTION OF PORTESCAP MOTORS WITH IRON LESS ROTOR DC MOTORS

All DC motors, including the ironless rotor motors, are composed of three principle sub assemblies:

1. Stator
2. Brush Holder Endcap
3. Rotor



1. The stator

The stator consists of the central, cylindrical permanent magnet, the core which supports the bearings, and the steel tube which completes the magnetic circuit. All three of these parts are held together by the motor front plate, or the mounting plate. The magnetic core is magnetized diametrically after it has been mounted in the magnetic system

2. The Brush Holder Endcap

The Brush Holder Endcap is made of a plastic material. Depending on the intended use of the motor, the brush could be of two different types:

- Carbon type, using copper grahite or silver graphite, such as those found in conventional motors with iron rotors.
- Multiwire type, using precious metals.

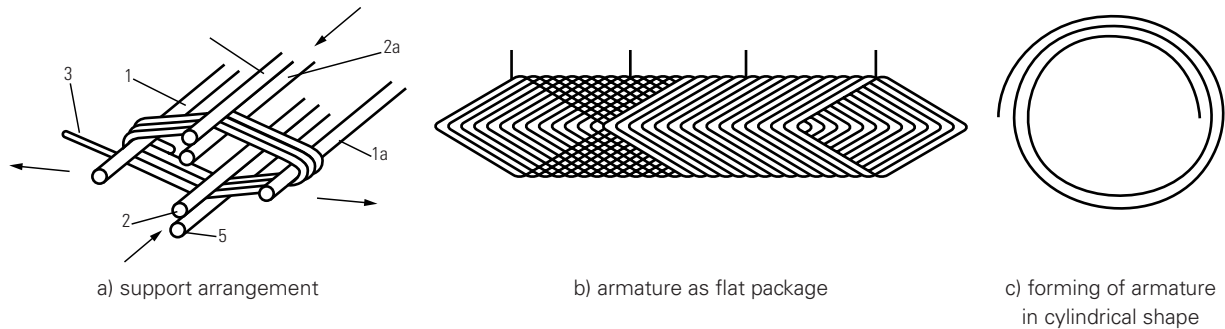
3. The Rotor

Of the three sub-assemblies, the one that is most characteristic of this type of motor is the ironless, bell-shaped rotor. There are primarily four different methods of fabricating these ironless armatures utilized in present-day technology.

A — In the conventional way, the various sections of the armature are wound separately, then shaped and assembled to form a cylindrical shell which is glass yarn reinforced, epoxy resin coated, and cured. It is of interest to note the relatively large coil heads which do not participate in the creation of any torque.

B — A method which avoids these coil heads uses an armature wire that is covered with an outer layer of plastic for adhesion, and is wound on a mobile lozenge-shaped support. Later, the support is removed, and a flat armature package is obtained, which is then formed into a cylindrical shape (Figure 1). The difficulty with this method lies in achieving a completely uniform cylinder. This is necessary for minimum ripple of the created torque, and for a minimum imbalance of the rotor.

FIGURE 1 - CONTINUOUS WINDING ON MOBILE SUPPORT

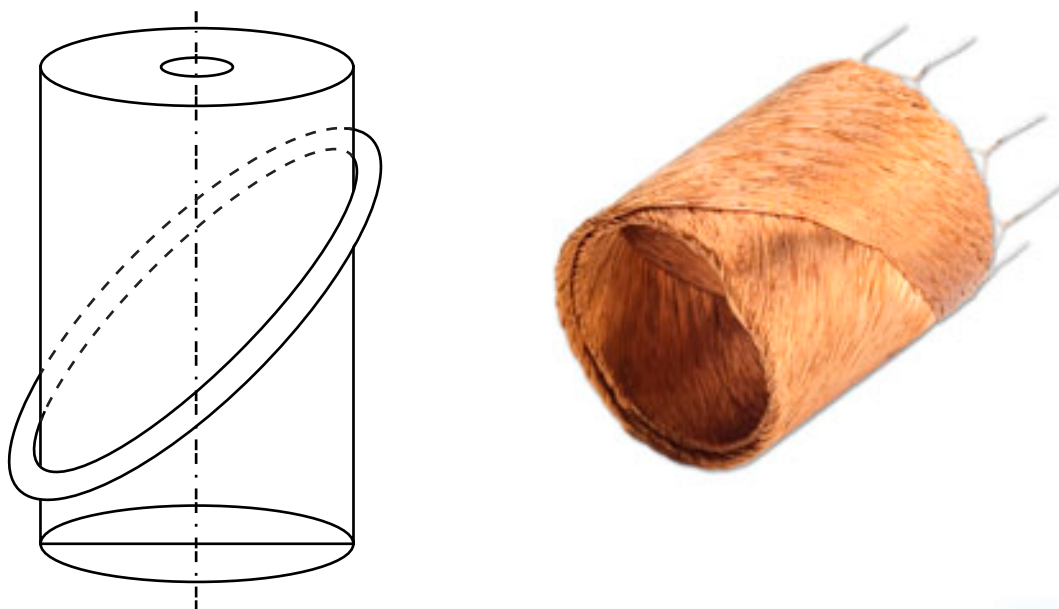


C — A procedure which avoids having to form a perfect cylinder from a flat package consists of winding the wire directly and continuously onto a cylindrical support. This support then remains inside the rotor. Coil heads are reduced to a minimum.

Although a large air gap is necessary to accommodate the armature support; this method is, however, easily automated.

D — The Skew-Wound armature method utilizes the same two-layer plastic coated wire described in Method B. This Wire is directly and continuously wound onto a cylindrical support which is later removed, thus eliminating an excessive air gap and minimizing rotor inertia. In this type of winding, inactive coil heads are non-existent. (Figure 2). This kind of armature winding does require relatively complex coil winding machines. Portescap thru its proprietary know how has developed multiple automated winding machines for different frame sizes and continues to innovate in the space so that dense coil windings can be spun in these automated machines.

FIGURE 2



FEATURES OF IRONLESS ROTOR DC MOTORS

The rotor of a conventional iron core DC motor is made of copper wire which is wound around the poles of its iron core. Designing the rotor in this manner has the following results:

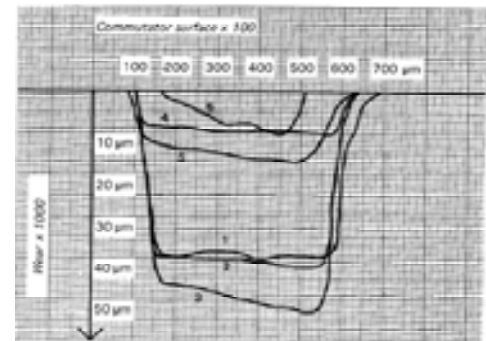
- A large inertia due to the iron mass which impedes rapid starts and stops
- A cogging effect and rotor preferential positions caused by the attraction of the iron poles to the permanent magnet.
- A considerable coil inductance producing arcing during commutation. This arcing is responsible on the one hand for an electrical noise, and on the other hand for the severe electro—erosion of the brushes. It is for the latter reason that carbon type brushes are used in the conventional motors.

A self supporting ironless DC motor from Portescap has many advantages over conventional iron core motors:

- high torque to — inertia ratio
- absence of preferred rotor positions
- very low torque and back EMF variation with armature positions
- essentially zero hysteresis and eddy current losses
- negligible electrical time constant
- almost no risk of demagnetization, thus fast acceleration
- negligible voltage drop at the brushes (with multiwire type brushes)
- lower viscous damping
- linear characteristics

REE SYSTEM PROVEN TO INCREASE MOTOR LIFE UP TO 1000 PERCENT

The two biggest contributors to the commutator life in a brush DC motor are the mechanical brush wear from sliding contacts and the erosion of the electrodes due to electrical arcing. The superior surface finish, commutator precision along with material upgrades such as precious metal commutators with appropriate alloys has helped in reducing the mechanical wear of the brushes. To effectively reduce electro erosion in while extending commutator life Portescap innovated its proprietary REE (Reduced Electro Erosion) system of coils. The REE system reduces the effective inductivity of the brush commutation by optimization of the mutual induction of the coil segments. In order to compare and contrast the benefits of an REE system Portescap conducted tests on motors with and with out REE coil optimization. The commutator surface wear showed improvements ranging from 100 -300 percent as shown in Figure 5. Coils 4, 5 and 6 are REE reinforced while 1, 2 & 3 are without REE reinforcement.

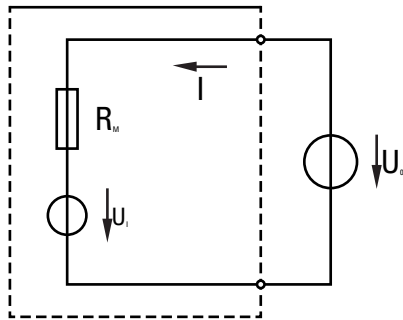


BRUSH DC WORKING PRINCIPLES

The electromechanical properties of motors with ironless rotors can be described by means of the following equations:

1. The power supply voltage U_0 is equal to the sum of the voltage drop produced by the current I in the ohmic resistance R_M of the rotor winding, and the voltage U_i induced in the rotor :

$$U_0 = I \times R_M + U_i$$



2. The voltage U_i induced in the rotor is proportional to the angular velocity ω of the rotor :

$$U_i = k_e \times \omega$$

It should be noted that the following relationship exists between the angular velocity ω expressed in radians per second and the speed of rotation n expressed in revolutions per minute:

$$\omega = \frac{2\pi n}{60}$$

3. The rotor torque M is proportional to the rotor current I :

$$M = k_r \times I$$

It may be mentioned here that the rotor torque M is equal to the sum of the load torque M_l supplied by the motor and the friction torque M_f of the motor :

$$M = M_l + M_f$$

By substituting the fundamental equations (2) and (3) into (1), we obtain the characteristics of torque/angular velocity for the dc motor

with an ironless rotor :

$$U_0 = M \times R_M + k_e \times \omega$$

By calculating the constant k_e and k_r from the dimensions of the motor, the number of turns per winding, the number of windings, the diameter of the rotor and the magnetic field in the air gap, we find for the direct-current micromotor with an ironless rotor:

$$(1) \quad \frac{M}{I} = \frac{U_0}{\omega} = k$$

Which means that $k = k_e = k_r$

The identity $k_e = k_r$ is also apparent from the following energetic considerations:

The electric power $P_e = U_0 \times I$ which is supplied to the motor must be equal to the sum of the mechanical power $P_m = M \times \omega$ produced by the rotor and the dissipated power (according to Joule's law) $P_v = I^2 \times R_M$:

$$P_e = U_0 \times I = M \times \omega + I^2 \times R_M \\ = P_m + P_v$$

Moreover, by multiplying equation (1) by I , we also obtain a formula for the electric power P_e :

$$P_e = U_0 \times I = I^2 \times R_M + U_0 \times I$$

The equivalence of the two equations gives

$$M \times \omega = U_i \times I$$

$$\text{or } \frac{U_i}{\omega} = \frac{M}{I} \text{ and } k_e = k_r = k$$

Quod erat demonstrandum.

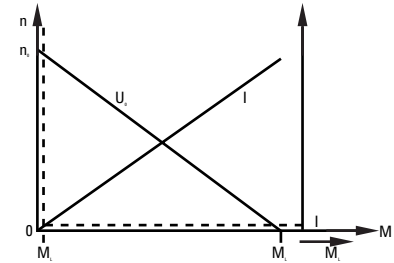
Using the above relationships, we may write the fundamental equations (1) and (2) as follows:

$$U_0 = I \times R_M + k \times \omega$$

and :

$$(7) \quad U_0 = M \times \frac{R_M}{k} + k \times \omega$$

Graphic express "speed-torque" characteristic:



To overcome the friction torque M_f due to the friction of the brushes and bearings, the motor consumes a no-load current I_0 . This gives

$$M_f = k \times I_0$$

and:

$$U_0 = I_0 \times R_M + k \times \omega_0 \text{ where } \omega_0 = \frac{2\pi \times n_0}{60}$$

hence:

$$k = \frac{U_0 - I_0 \times R_M}{\omega_0} \quad (8)$$

Is it therefore perfectly possible to calculate the motor constant k with the no-load speed n_0 , the no-load current I_0 and the rotor resistance R_M .

The starting-current I_d is calculated as follows:

$$I_d = \frac{U_0}{R_M}$$

It must be remembered that the R_M depends to a great extent on the temperature; in other words, the resistance of the rotor increases with the heating of the motor due to the dissipated power (Joule's law):

$$R_M = R_{M0} (1 + \gamma \times \Delta T)$$

Where γ is the temperature coefficient of copper ($\gamma = 0.004/^\circ\text{C}$).

As the copper mass of the coils is comparatively small, it heats very quickly



BRUSH DC WORKING PRINCIPLES

through the effect of the rotor current, particularly in the event of slow or repeated starting. The torque M_s produced by the starting-current I_s is obtained as follows:

$$M_s = I_s \times k - M_l = (I_s - I_l)k \quad (9)$$

By applying equation (1), we can calculate the angular velocity ω produced under a voltage U_0 with a load torque M_l . We first determine the current required for obtaining the torque

$$M = M_l + M_s:$$

$$I = \frac{M_l + M_s}{k}$$

$$\text{Since } \frac{M_s}{k} = I_s$$

we may also write

$$I = \frac{M_l + I_s k}{k} \quad (10)$$

For the angular velocity ω , we obtain the relationship

$$\omega = \frac{U_0 - I \times R_m}{k} \quad (11)$$

$$= \frac{U_0 - R_m}{k} (M_l + M_s)$$

In which the temperature dependence of the rotor resistance R_m must again be considered; in other words, the value of R_m at the working temperature of the rotor must be calculated.

On the other hand, with the equation (6), we can calculate the current I and the load torque M_l for a given angular velocity ω and a given voltage U_0 :

$$I = \frac{U_0 - k \times \omega}{R_m} = I_s - \frac{k}{R_m} \omega \quad (12)$$

And with equation (10)

$$M_l = (I - I_s)k$$

We get the value of M_l :

$$M_l = (I - I_s)k - k^2 \omega$$

The problem which most often arises is that of determining the power supply voltage U_0

required for obtaining a speed of rotation n for a given load torque M_l (angular velocity $\omega = n \times 2\pi/60$). By introducing equation (10) into (6) we obtain:

$$U_0 = \left(\frac{M_l + I_s}{k} \right) R_m + k \times \omega \quad (13)$$

Practical examples of calculations

Please note that the International System of Units (S.I.) is used throughout.

1. Let us suppose that, for a Portescap® motor 23D21-216E, we wish to calculate the motor constant k , the starting current I_s and the starting torque M_s at a rotor temperature of 40°C. With a power supply voltage of 12V, the no-load speed is n_0 is 4900 rpm ($\omega_0 = 513$ rad/s), the no-load current $I_0 = 12$ mA and the resistance $R_{m0} = 9.5 \Omega$ at 22°C.

By introducing the values ω_0 , I_0 , R_{m0} and U_0 into the equation (8), we obtain the motor constant k for the motor 23D21-216E:

$$k = \frac{12 - 0.012 \times 9.5}{513} = 0.0232 \text{ Vs}$$

Before calculating the starting-current, we must calculate the rotor resistance at 40°C.

With $\Delta T = 18^\circ\text{C}$ and $R_{m0} = 9.5\Omega$, we obtain

$$R_m = (1 + 0.004 \times 18) = 9.5 \times 1.07 = 10.2\Omega$$

The starting-current I_s at a rotor temperature of 40°C becomes

$$I_s = \frac{U_0}{R_m} = \frac{12}{10.2} = 1.18\text{A}$$

and the starting-torque M_s , according to equation (9), is

$$M_s = k(I_s - I_0) = 0.0232 (1.18 - 0.012) = 0.027 \text{ Nm}$$

2. Let us ask the following question: what is the speed of rotation n attained by the motor with a load torque of 0.008 Nm and a power supply voltage of 9V at a rotor temperature of 40°C?

Using equation (10) we first calculate the current which is supplied to the motor under these conditions:

$$I = \frac{M_l + I_s}{k} = \frac{0.008}{0.0232} + 0.012 = 0.357\text{A}$$

Equation (11) gives the angular velocity ω :

$$\omega = \frac{U_0 - I \times R_m}{k} = \frac{9 - 0.357 \times 10.2}{0.0232} = 231 \text{ rad/s}$$

and the speed of rotation n :

$$n = \frac{60}{2\pi} \omega = 2200 \text{ rpm}$$

Thus the motor reaches a speed of 2200 rpm and draws a current of 357 mA.

3. Let us now calculate the torque M at a given speed of rotation n of 3000 rpm ($\omega = 314$ rad/s) and a power supply voltage U_0 of 15V; equation (12) gives the value of the current:

$$I = \frac{U_0 - k \times \omega}{R_m} = I_s - \frac{k}{R_m} \times \omega = 1.18 - \frac{0.0232 \times 314}{10.2} = 0.466\text{A}$$

and the torque load M_l :

$$M_l = k(I - I_s) = 0.0232 (0.466 - 0.012) = 0.0105 \text{ Nm} \quad (M_l = 10.5 \text{ mNm})$$

4. Lastly, let us determine the power supply voltage U_0 required for obtaining a speed rotation n of 4000 rpm ($\omega = 419$ rad/s) with a load torque of M_l of 0.008 Nm, the rotor temperature again being 40°C ($R_m = 10.2\Omega$).

As we have already calculated, the current I necessary for a torque of 0.008 Nm is 0.357 A

$$U_0 = I \times R_m + k \times \omega = 0.357 \times 10.2 + 0.0232 \times 419 = 13.4 \text{ volt}$$

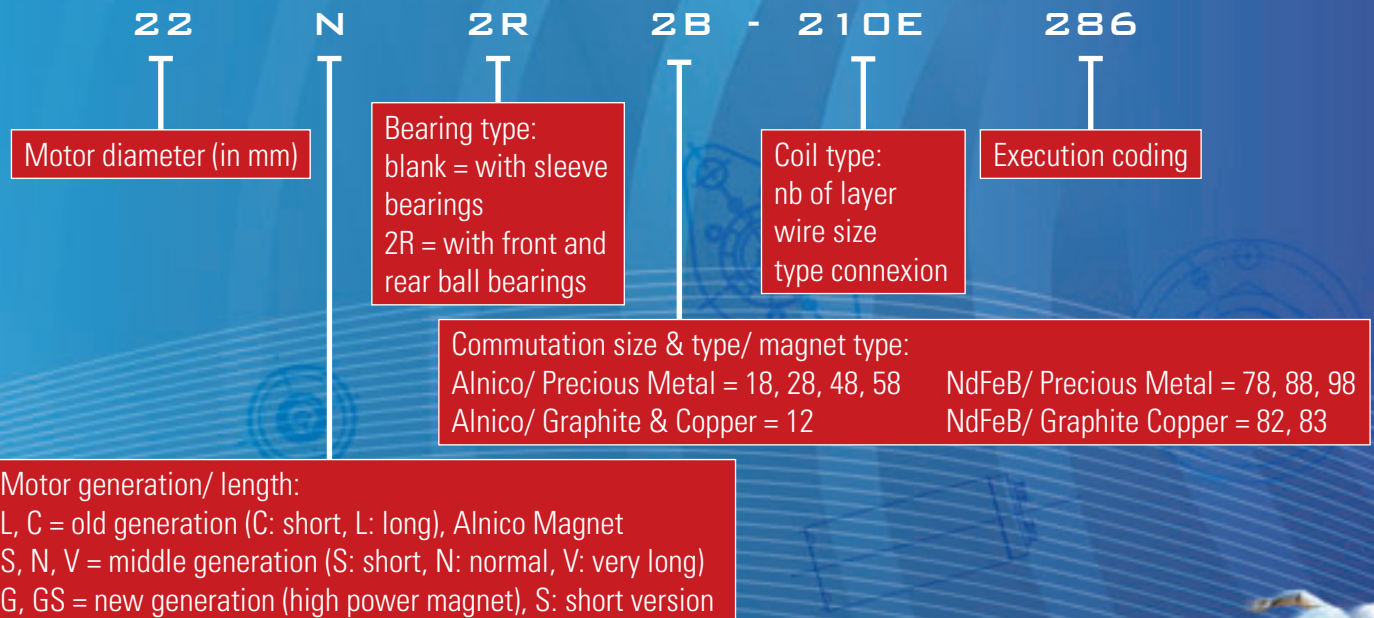
HOW TO SELECT YOUR CORELESS MOTOR

PRODUCT RANGE CHART							
FRAME SIZE		08GS	08G	13N	16C	16N28	16G
Max Continuous Torque	mNm (Oz-in)	0.66 (0.093)	0.87 (0.102)	3.33 (0.47)	1.0 (0.14)	2.4 (0.34)	5.4 (0.76)
Motor Regulation R/K ²	10 ³ /Nms	1900	1200	166	1523	380	77
Rotor Inertia	Kgm ² 10 ⁷	0.03	0.035	0.33	0.27	0.51	0.8
		17S	17N	22S	22N28	22V	23L
Max Continuous Torque	mNm (Oz-in)	2.6 (0.37)	4.85 (0.69)	9.5 (1.34)	7.3 (1.04)	8.13 (1.15)	6.2 (1.16)
Motor Regulation R/K ²	10 ³ /Nms	250	97	33	73	58	54
Rotor Inertia	Kgm ² 10 ⁷	0.5	0.8	1.9	3	2.4	3.6

FRAME SIZE		23V	23GST	25GST	25GT	26N	28L	28LT
Max Continuous Torque	mNm (Oz-in)	13 (1.8)	22 (3.1)	27 (3.8)	41 (5.8)	17.3 (2.4)	21.0 (2.97)	22.8 (3.23)
Motor Regulation R/K ²	10 ³ /Nms	30	11 (0.4)	8	4.2	18	12	13
Rotor Inertia	Kgm ² 10 ⁷	3.7	4.7	10	13	6	17.5	10.7
		28D	28DT	30GT	35NT2R32	35NT2R82	35GLT	
Max Continuous Torque	mNm (Oz-in)	33.6 (4.8)	41 (5.8)	93 (13.2)	58.3 (8.3)	115 (16.3)	158.6	
Motor Regulation R/K ²	10 ³ /Nms	6.69	5.9	1.1	3.12	0.83	0.39	
Rotor Inertia	Kgm ² 10 ⁷	17.6	20	33	52	71.4	70	



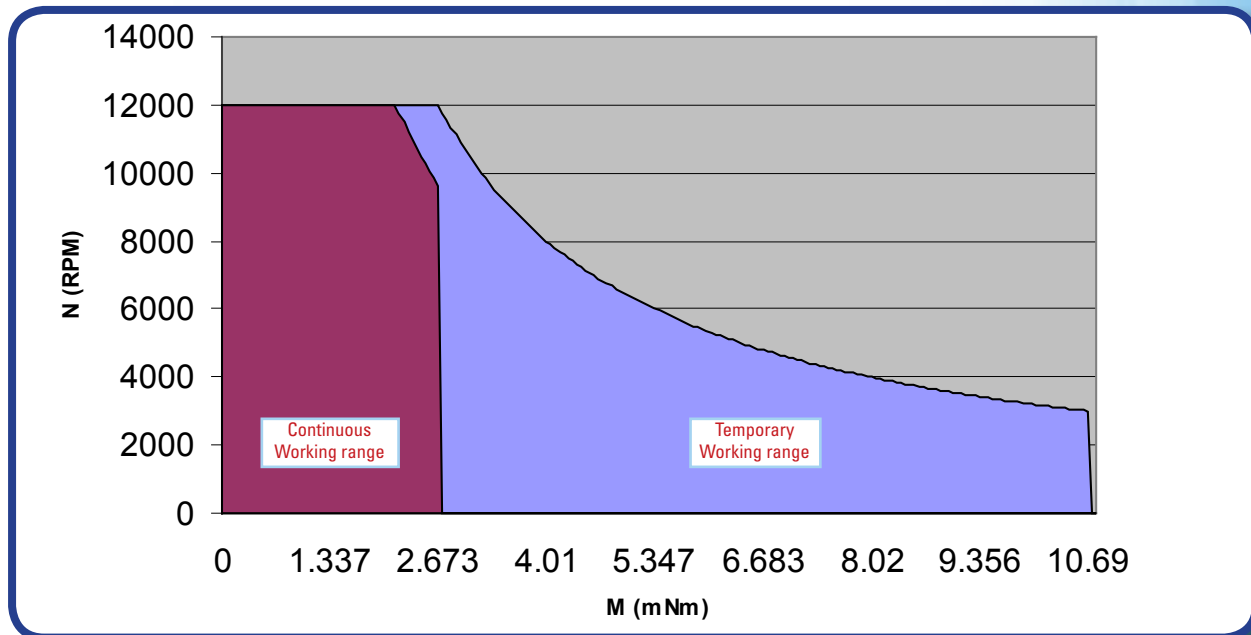
MOTOR DESIGNATION



EXPLANATION OF SPECIFICATIONS

MOTOR PART NUMBER	16N28 205E		EXPLANATION
MEASURING VOLTAGE	V	18	Is the DC voltage on the motor terminals and is the reference at which all the data is measured
NO LOAD SPEED	rpm	9600	This is the the speed at which motor turns when the measuring voltage is applied with out any load
STALL TORQUE	mNm (oz-in)	2.9 (0.41)	Minimum torque required to stall the motor or stop the motor shaft from rotating at measuring voltage
AVERAGE NO LOAD CURRENT	mA	4.9	The current drawn by the motor at no load while operating at the measured voltage
TYPICAL STARTING VOLTAGE	V	0.45	The minimum voltage at which the motor shaft would start rotating at no load
MAX RECOMMENDED VALUES			
MAX CONT CURRENT	A	0.15	The maximum current that can be passed through the motor with out overheating the coil
MAX CONT TORQUE	mNm (oz-in)	2.5 (0.35)	The maximum torque that can be applied without overheating the coil
MAX ANGULAR ACCELERATION	10^3 rad/s^2	182	The maximum feasible rotor acceleration to achieve a desired speed
INTRINSIC PARAMETERS			
BACK-EMF CONSTANT	V/1000 rpm	1.8	Voltage induced at a motor speed of 1000 rpm
TORQUE CONSTANT	mNm/A (oz-in/A)	17.3 (2.45)	Torque developed at a current of 1 A
TERMINAL RESISTANCE	ohm	109	Resistance of the coil at a temperature of 22 °C
MOTOR REGULARION	10^3 /Nms	360	It is the slope of speed torque curve
ROTOR INDUCTANCE	mH	3	Measured at a frequency of 1 kHz
ROTOR INERTIA	$\text{kgm}^2 \cdot 10^{-7}$	0.55	Order of magnitude mostly dependent on mass of copper rotating
MECHANICAL TIME CONSTANT	ms	20	Product of motor regulation and rotor inertia

SPEED VS TORQUE CURVE • 16N28 AT 18V



MARKETS & APPLICATIONS



MEDICAL

- Powered surgical instruments
- Dental hand tools
- Infusion & insulin pumps
- Diagnostic & scanning equipment

Benefits: Reduced footprint analyzers with high efficiency & precision sample positioning



SECURITY & ACCESS

- Security cameras
- Locks
- Bar code readers
- Paging systems

Benefits: Low Noise & Vibration, High Power & Superior Efficiency



AEROSPACE & DEFENSE

- Cockpit gauge
- Indicators
- Satellites
- Optical scanners

Benefits: Low Inertia, Compactness and Weight, High Efficiency



ROBOTICS & FACTORY AUTOMATION

- Conveyors
- Remote controlled vehicles
- Industrial robots

Benefits: High Power & Low Weight



POWER HAND TOOLS

- Shears
- Pruning hand tools
- Nail guns

Benefits: High Efficiency, Compactness and Weight, Low Noise



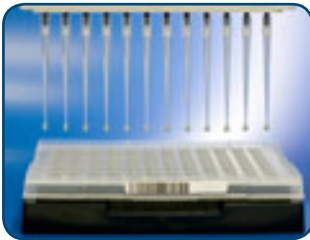
OTHER

- Office equipment
- Semiconductors
- Model railways
- Document handling
- Optics
- Automotive
- Transportation
- Audio & video

Benefits: Low Noise, High Power, Better Motor Regulation



BRUSH DC MOTORS AT WORK



MEDICAL ANALYZERS

Portescap solves multiple application needs in analyzers, from sample draw on assays to rapid scanning and detection of molecular mechanisms in liquids and gases, with its coreless brush dc motors. For high throughput applications—those where over 1,000 assays are analyzed in an hour—high efficiency and higher speed motors such as brush DC coreless motors are a suitable choice. Their low rotor inertia along with short mechanical time constant makes them ideally suited for such applications. As an example, a Portescap 22-mm motor brush coreless DC motor offers no-load speed of 8,000 rpm and a mechanical time constant of 6.8 milliseconds. Another analyzer function that plays a vital role in their output is collecting samples from the vials or assays, and serving them up to measurement systems based on photometry, chromatography, or other appropriate schemes. Here again, a brush DC coreless motor is highly applicable due to the power density it packs in a small frame size. You can maximize your application's productivity with a 16 or 22mm workhorse from Portescap.



INFUSION PUMPS

Coreless brush DC motors offer significant advantages over their iron core brush counterparts for some of the critical care pump applications where, the benefits range from improved efficiency to higher power density, in a smaller frame size. One of the factors that deteriorates motor performance over long term usage is the heating of the motor with associated Joule loss. In motor terminology this is governed by the motor regulation factor determined by the coil resistance, R , and the torque constant, k . The lower the motor regulation factor (R/k^2) the better would the motor perform over its life while sustaining higher efficiencies. With some of the lowest motor regulation factors Portescap's latest innovation in Athlonix motors is already benefiting applications in the infusion pump space by offering a choice of a higher performance motor with less heat loss, higher efficiency and power density in compact packages.

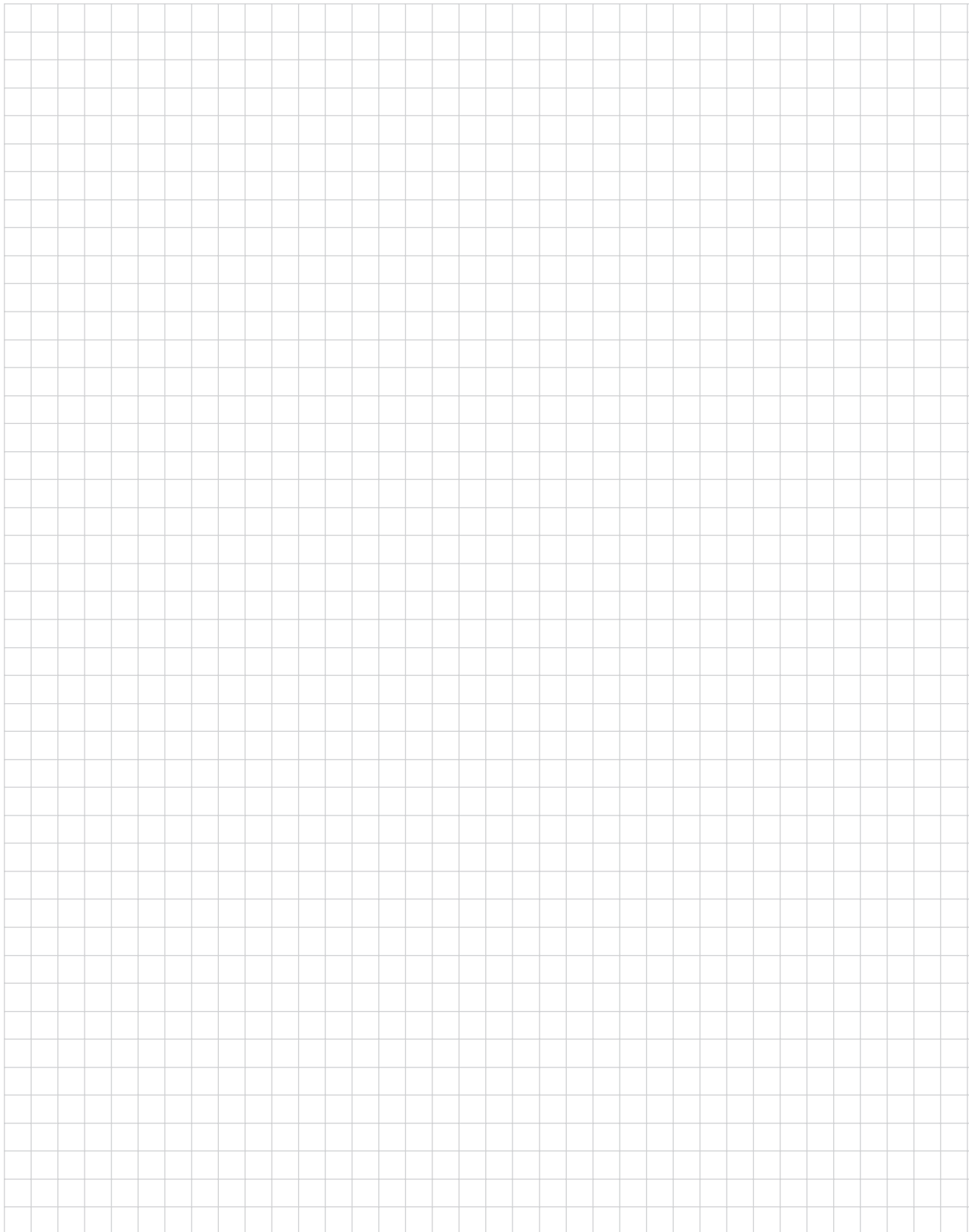


ELECTRONICS ASSEMBLY SURFACE MOUNT EQUIPMENT

Portescap's versatile 35mm coreless motors with carbon brush commutation excel in electronic assembly, robotics and automated machinery equipment and have been a work horse in some of the pick and place machinery used in surface mount technology. Our 35mm low inertia motors can provide high acceleration, low electro magnetic interference, and frequent start stops that the machines need while maintaining smaller and light weight envelopes.



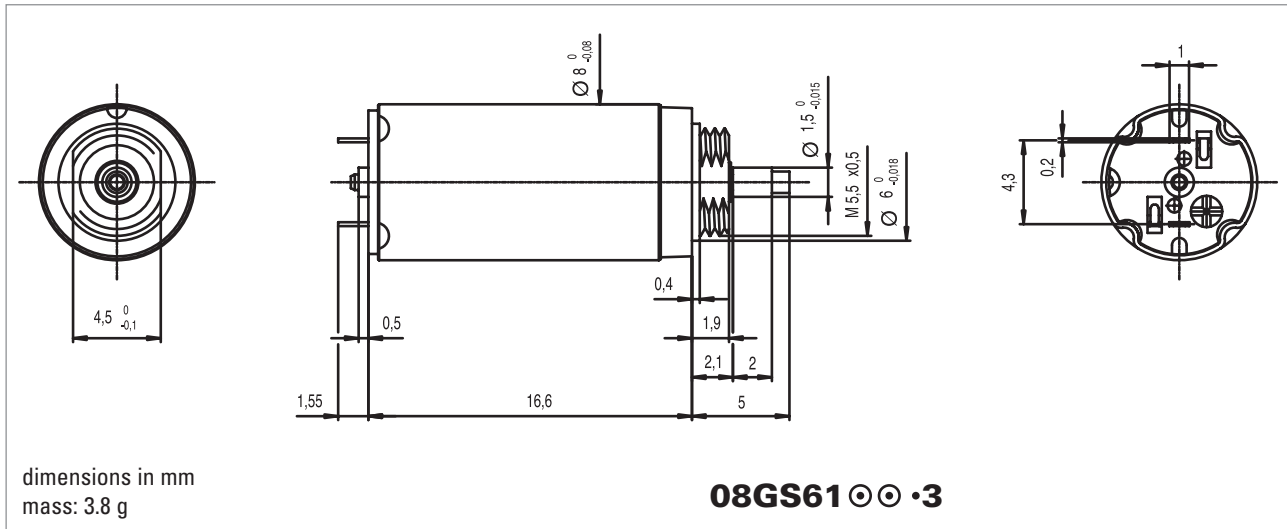
Notes



08GS61

Precious Metal Commutation System - 5 Segments

0.5 Watt

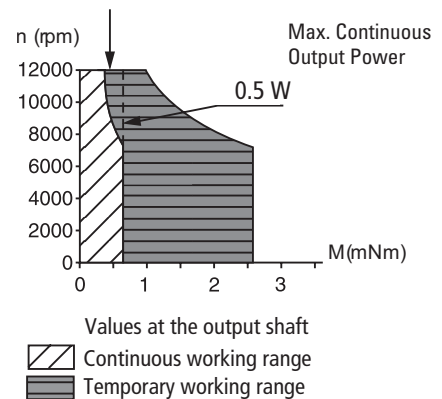


Winding Type		-107	-105	-105C
Measured Values				
Measuring voltage	V	2	4.5	6
No-load speed	rpm	7000	10700	10600
Stall torque	mNm (oz-in)	0.42 (0.06)	0.59 (0.084)	0.64 (0.091)
Average No-load current	mA	6	4	3
Typical starting voltage	V	0.2	0.3	0.5
Max. Recommended Values				
Max. continuous current	A	0.25	0.168	0.133
Max. continuous torque	mNm (oz-in)	0.64 (0.09)	0.64 (0.091)	0.66 (0.093)
Max. angular acceleration	10 ³ rad/s ²	889	859	884
Intrinsic Parameters				
Back-EMF constant	V/1000 rpm	0.275	0.41	0.53
Torque constant	mNm/A (oz-in/A)	2.63 (0.372)	3.92 (0.55)	5.1 (0.72)
Terminal resistance	ohm	12.6	30	45.8
Motor regulation R/k ²	10 ³ /Nms	1800	2000	1900
Rotor inductance	mH	0.058	0.11	0.2
Rotor inertia	kgm ² 10 ⁻⁷	0.03	0.03	0.03
Mechanical time constant	ms	5.5	5.9	5.6

Executions		
Gearbox	Page	08GS61
R10	234	7
R08	Contact Portescap	

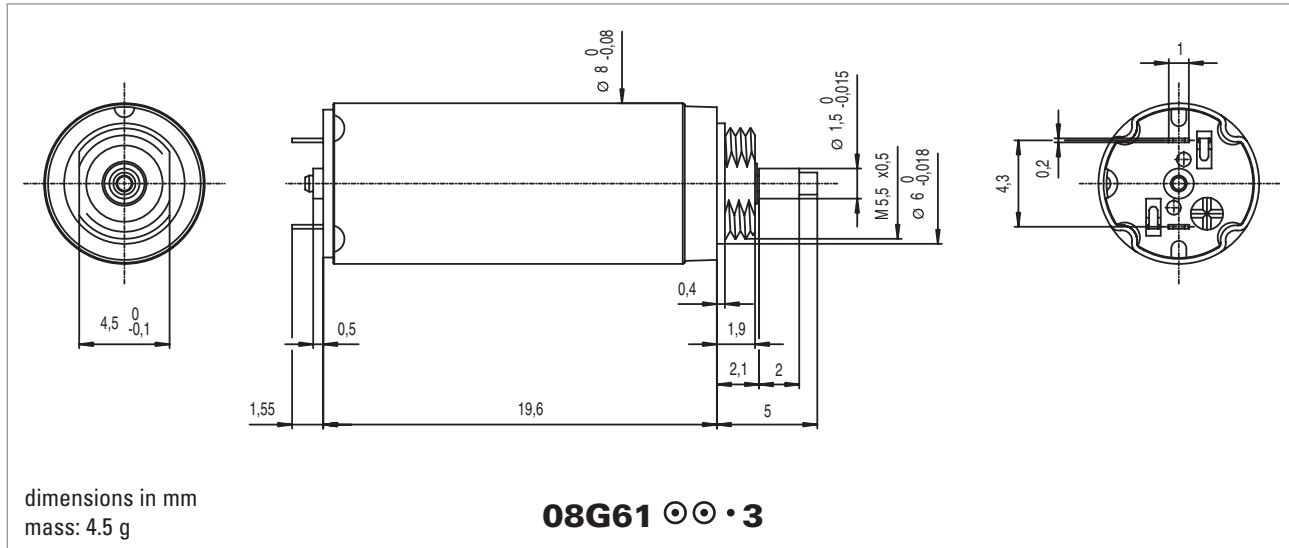
- Thermal resistance: rotor-body 20°C/W, body-ambient 100°C/W
- Thermal time constant rotor/stator: 5 s/100s
- Max. rated coil temperature: 100°C
- Recom. ambient temperature range: -30°C to +85°C (-22°F to +185°F)
- Max. axial static force: 30 N
- End play: ≤ 100 μm
- Radial play: ≤ 15 μm
- Shaft runout: ≤ 10 μm
- Max. side load at 2 mm from mounting face: - sleeve bearings 0.5 N
- Motor fitted with sleeve bearings

Max. Recommended Speed



0.7 Watt

Precious Metal Commutation System - 5 Segments

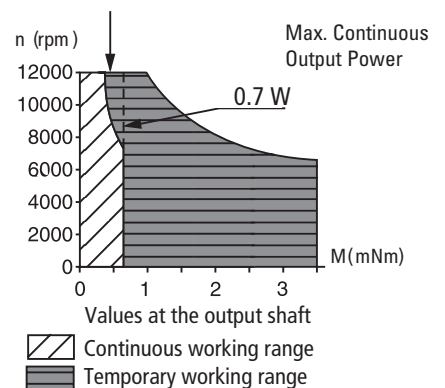


Winding Type	☉☉	-107	-205C
Measured Values			
Measuring voltage	V	3	9
No-load speed	rpm	9800	11800
Stall torque	mNm (oz-in)	0.73 (0.103)	1.01 (0.143)
Average No-load current	mA	5.5	2.5
Typical starting voltage	V	0.2	0.6
Max. Recommended Values			
Max. continuous current	A	0.25	0.124
Max. continuous torque	mNm (oz-in)	0.7 (0.099)	0.87 (0.102)
Max. angular acceleration	10 ³ rad/s ²	924	999
Intrinsic Parameters			
Back-EMF constant	V/1000 rpm	0.3	0.75
Torque constant	mNm/A (oz-in/A)	2.86 (0.406)	7.2 (1.01)
Terminal resistance	ohm	11.8	56.5
Motor regulation R/k ²	10 ³ /Nms	1400	1200
Rotor inductance	mH	0.03	0.16
Rotor inertia	kgm ² 10 ⁻⁷	0.035	0.035
Mechanical time constant	ms	5	4.4

Executions		
Gearbox	Page	08GS61
R10	234	5
R08	Contact Portescap	

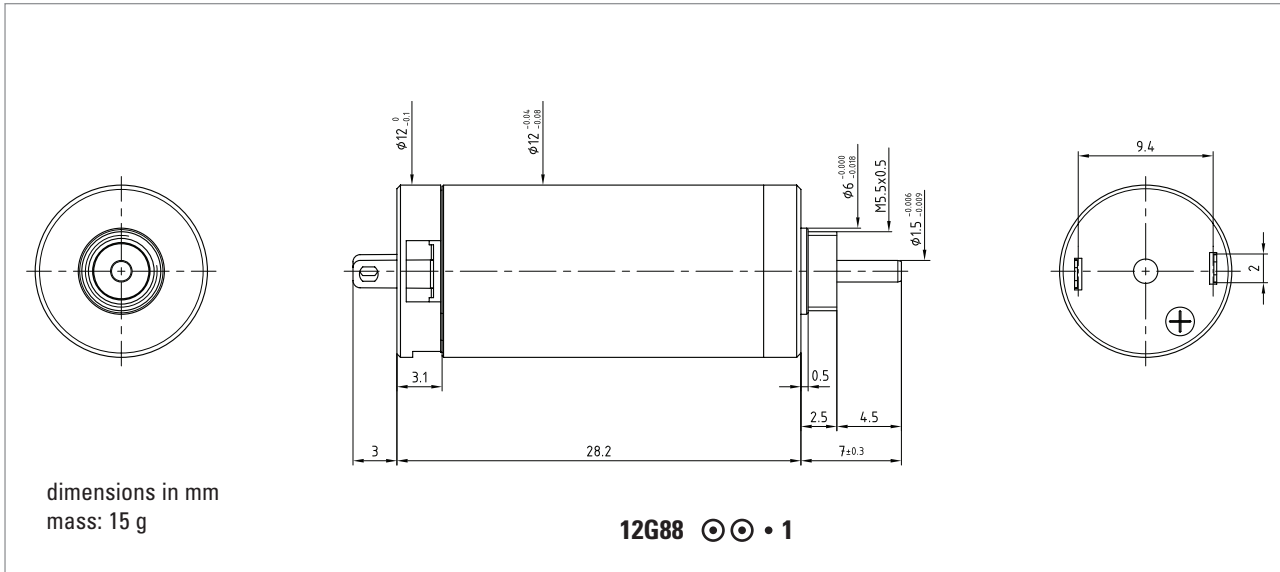
- Thermal resistance: rotor-body 18°C/W, body-ambient 85°C/W
- Thermal time constant rotor/stator: 5 s/100s
- Max. rated coil temperature: 100°C
- Recom. ambient temperature range: -30°C to +85°C (-22°F to +185°F)
- Max. axial static force: 30 N
- End play: ≤ 100 μm
- Radial play: ≤ 15 μm
- Shaft runout: ≤ 10 μm
- Max. side load at 2 mm from mounting face: sleeve bearings 0.5 N
- Motor fitted with sleeve bearings

Max. Recommended Speed



Precious Metal Commutation System - 9 Segments

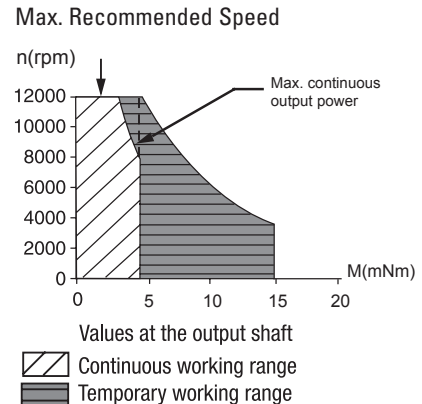
2.5 Watt



Winding Type	☉☉	215E	211E
Measured Values			
Measuring voltage	V	4.5	9
No-load speed	rpm	8670	9895
Stall torque	mNm (oz.in)	6.8 (0.96)	7.7 (1.10)
Average No-load current	mA	16	9
Typical starting voltage	V	0.3	0.2
Max. Recommended Values			
Max. continuous current	A	0.75	0.43
Max. continuous torque	mNm (oz.in)	3.68 (0.52)	3.70 (0.52)
Max. angular acceleration	10 ³ rad/s ²	552	557
Intrinsic Parameters			
Back-EMF constant	V/1000 rpm	0.51	0.9
Torque constant	mNm/A (oz.in/A)	4.9 (0.69)	8.6 (1.22)
Terminal resistance	Ohms	3.2	9.9
Motor regulation R/k ²	10 ³ /Nms	133	134
Rotor inductance	mH	0.07	0.185
Rotor inertia	kgm ² 10 ⁻⁷	0.29	0.26
Mechanical time constant	ms	3.9	3.5

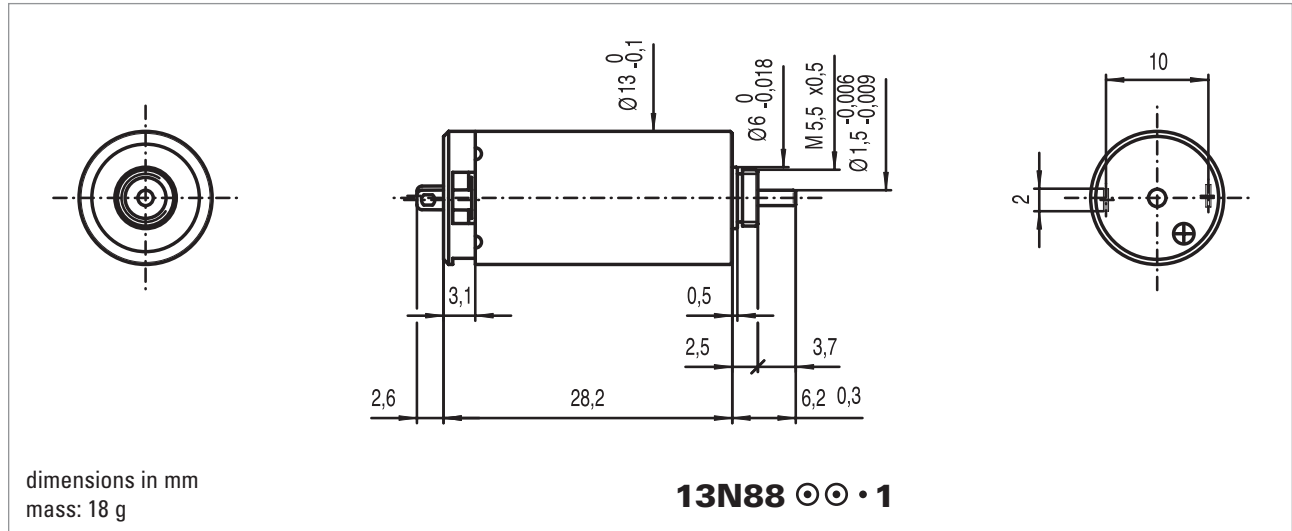
Executions			
		Single Shaft	With MR2
Gearbox	Page	12G88	12G88
R10	234	1003	1005
R13	235	1002	1004

- Thermal resistance : rotor-body 10°C/W
body-ambient 50°C/W
- Thermal time constant – rotor/stator: 6s / 300s
- Max. rated coil temperature: 100°C (210°F)
- Recom. Ambient temperature range: -30°C to +85°C (-22°F to +185°F)
- Viscous damping constant: 0.04 x 10⁻⁶ Nms
- Max axial static force for press-fit: 150N
- End play: ≤ 150 µm
Radial play: ≤ 30 µm
Shaft runout: ≤ 10 µm
- Max. side load at 5mm from mounting face – sleeve bearings 1.5 N
- Motor fitted with sleeve bearings (ball bearings optional)



2.5 Watt

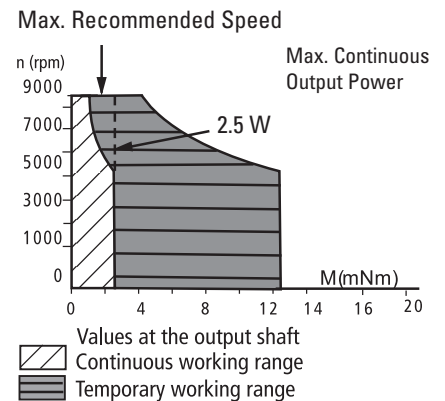
Precious Metal Commutation System - 9 Segments



Winding Type	⊙ ⊙	-213E	-110	-107
Measured Values				
Measuring voltage	V	6.0	12.0	24.0
No-load speed	rpm	12300	12400	14100
Stall torque	mNm (oz-in)	6.5 (0.93)	8 (1.13)	8.4 (1.19)
Average No-load current	mA	25.6	13.6	8.8
Typical starting voltage	V	0.08	0.10	0.20
Max. Recommended Values				
Max. continuous current	A	0.69	0.38	0.21
Max. continuous torque	mNm (oz-in)	3.03 (0.43)	3.33 (0.47)	3.18 (0.45)
Max. angular acceleration	10 ³ rad/s ²	433	405	438
Intrinsic Parameters				
Back-EMF constant	V/1000 rpm	0.48	0.95	1.67
Torque constant	mNm/A (oz-in/A)	4.58 (0.65)	9.1 (1.28)	15.9 (2.26)
Terminal resistance	ohm	4.20	13.7	45.6
Motor regulation R/k ²	10 ³ /Nms	200	166	179
Rotor inductance	mH	0.07	0.25	0.80
Rotor inertia	kgm ² 10 ⁻⁷	0.28	0.33	0.29
Mechanical time constant	ms	5.6	5.5	5.2

Executions			
Gearbox	Page	13N88	13N88D12
R13	235	1	3

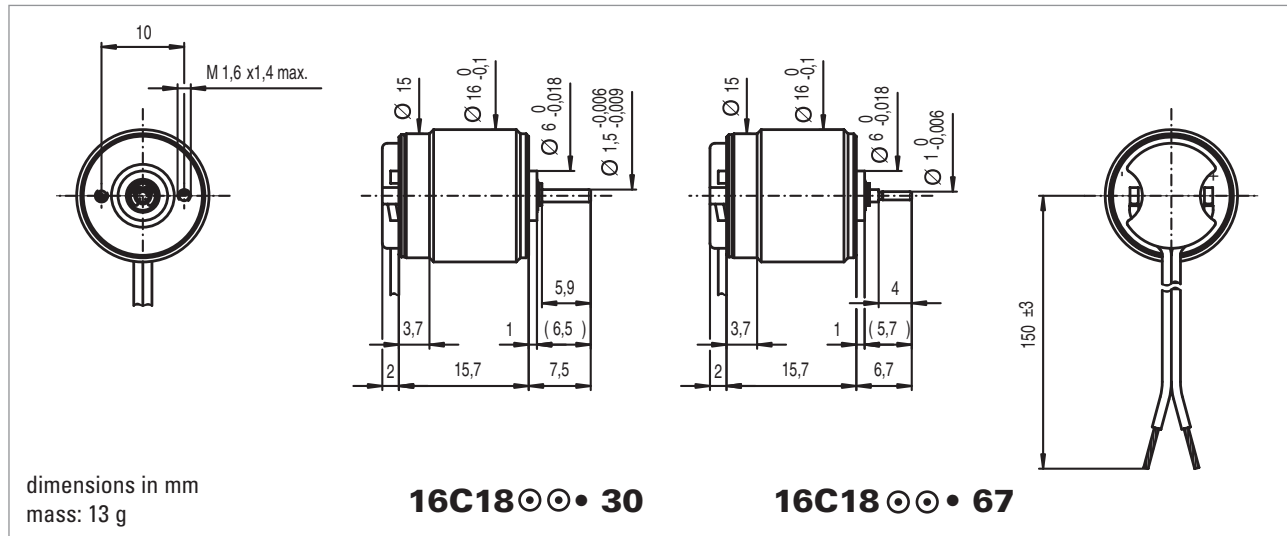
- Thermal resistance: rotor-body 10°C/W, body-ambient 40°C/W
- Thermal time constant - rotor / stator: 6 s / 300 s
- Max. rated coil temperature: 100°C (210°F)
- Recom. ambient temperature range: -30°C to +85°C (-22°F to +185°F)
- Viscous damping constant: 0.04 x 10⁻⁶ Nms
- Max. axial static force for press-fit: 150 N
- End play: ≤ 150 μm
- Radial play: ≤ 30 μm
- Shaft runout: ≤ 10 μm
- Max. side load at 5 mm from mounting face: sleeve bearings 1.5 N
- Motor fitted with sleeve bearings (ball bearings optional)



16C18

Precious Metal Commutation System - 5 Segments

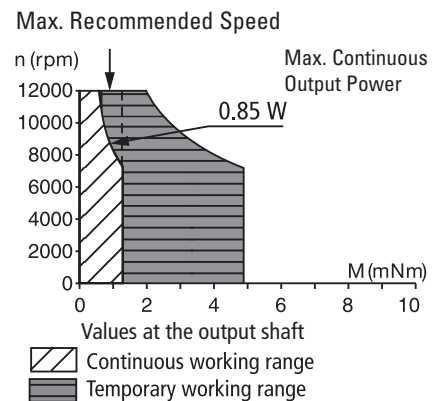
0.85 Watt



Winding Type	$\odot\odot$	-115	-210	-207	-205	-204
Measured Values						
Measuring voltage	V	1.5	4.0	6.0	12.0	15.0
No-load speed	rpm	15300	14700	15700	16200	16000
Stall torque	mNm (oz-in)	1.1 (0.16)	1.3 (0.19)	1.1 (0.16)	1.2 (0.17)	0.8 (0.11)
Average No-load current	mA	74.8	23.0	18.4	10.4	6.9
Typical starting voltage	V	0.04	0.05	0.10	0.15	0.25
Max. Recommended Values						
Max. continuous current	A	1.19	0.48	0.31	0.16	0.10
Max. continuous torque	mNm (oz-in)	0.98 (0.14)	1.13 (0.16)	1.0 (0.14)	1.0 (0.14)	0.79 (0.11)
Max. angular acceleration	10^3 rad/s ²	127	110	148	99	117
Intrinsic Parameters						
Back-EMF constant	V/1000 rpm	0.092	0.26	0.36	0.70	0.87
Torque constant	mNm/A (oz-in/A)	0.88 (0.12)	2.48 (0.35)	3.44 (0.49)	6.68 (0.95)	8.3 (1.18)
Terminal resistance	ohm	1.20	7.5	18.0	65.0	162
Motor regulation R/k ²	10^3 /Nms	1555	1217	1523	1455	2347
Rotor inductance	mH	0.02	0.15	0.25	1.00	2.00
Rotor inertia	kgm ² 10 ⁻⁷	0.31	0.41	0.27	0.41	0.27
Mechanical time constant	ms	48	50	41	60	63

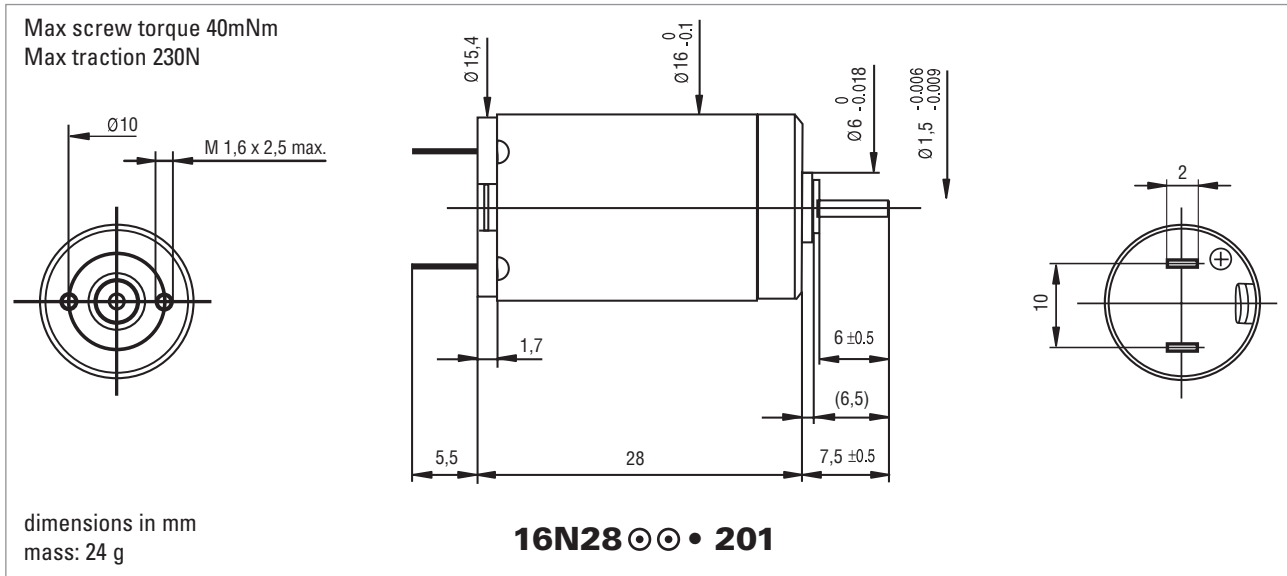
Executions			
		Single Shaft	With F16
Gearbox	Page	16C18	16C18
B16	236	67	76
BA16	237	67	76
R16	238	30	76

- Thermal resistance: rotor-body 15°C/W, body-ambient 40°C/W
- Thermal time constant - rotor / stator: 4 s / 230 s
- Max. rated coil temperature: 100°C (210°F)
- Recom. ambient temperature range: -30°C to +85°C (-22°F to +185°F)
- Viscous damping constant: 0.04 x 10⁻⁶ Nms
- Max. axial static force for press-fit: 150 N
- End play: ≤ 150 µm
- Radial play: ≤ 30 µm
- Shaft runout: ≤ 10 µm
- Max. side load at 5 mm from mounting face:
 - sleeve bearings 0.5 N
 - ball bearings 3 N
- Motor fitted with sleeve bearings (ball bearings optional)



2.3 Watt

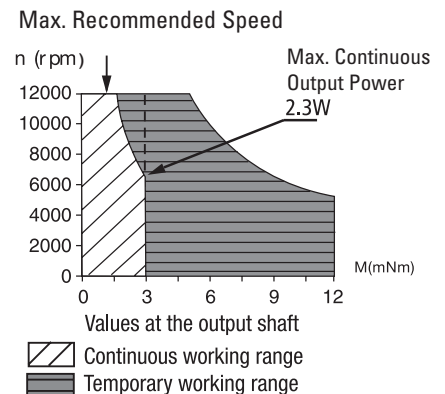
Precious Metal Commutation System - 9 Segments



Winding Type		-111P	-210E	-208E	-207E
Measured Values					
Measuring voltage	V	3	7.5	9.0	12.0
No-load speed	rpm	9500	9700	8900	10800
Stall torque	mNm (oz-in)	3.7 (0.52)	3.7 (0.52)	3.1 (0.45)	3.1 (0.45)
Average No-load current	mA	28	13.3	8.4	7.7
Typical starting voltage	V	0.10	0.15	0.2	0.3
Max. Recommended Values					
Max. continuous current	A	1.01	0.42	0.29	0.24
Max. continuous torque	mNm (oz-in)	2.9 (0.44)	2.9 (0.41)	2.7 (0.38)	2.4 (0.34)
Max. angular acceleration	10 ³ rad/s ²	161	148	172	192
Intrinsic Parameters					
Back-EMF constant	V/1000 rpm	0.31	0.75	1.0	1.1
Torque constant	mNm/A (oz-in/A)	2.96 (0.42)	7.2 (1.0)	9.5 (1.35)	10.3 (1.45)
Terminal resistance	ohm	2.4	14.6	28	40.5
Motor regulation R/k ²	10 ³ /Nms	270	280	310	380
Rotor inductance	mH	0.08	0.5	0.8	0.9
Rotor inertia	kgm ² 10 ⁻⁷	0.72	0.77	0.63	0.51
Mechanical time constant	ms	20	22	20	19

Executions			
		Single Shaft	With F16
Gearbox	Page	16N28	16N28
B16 200	236	235	235
BA16 200	237	235	235
R16	238	201	201

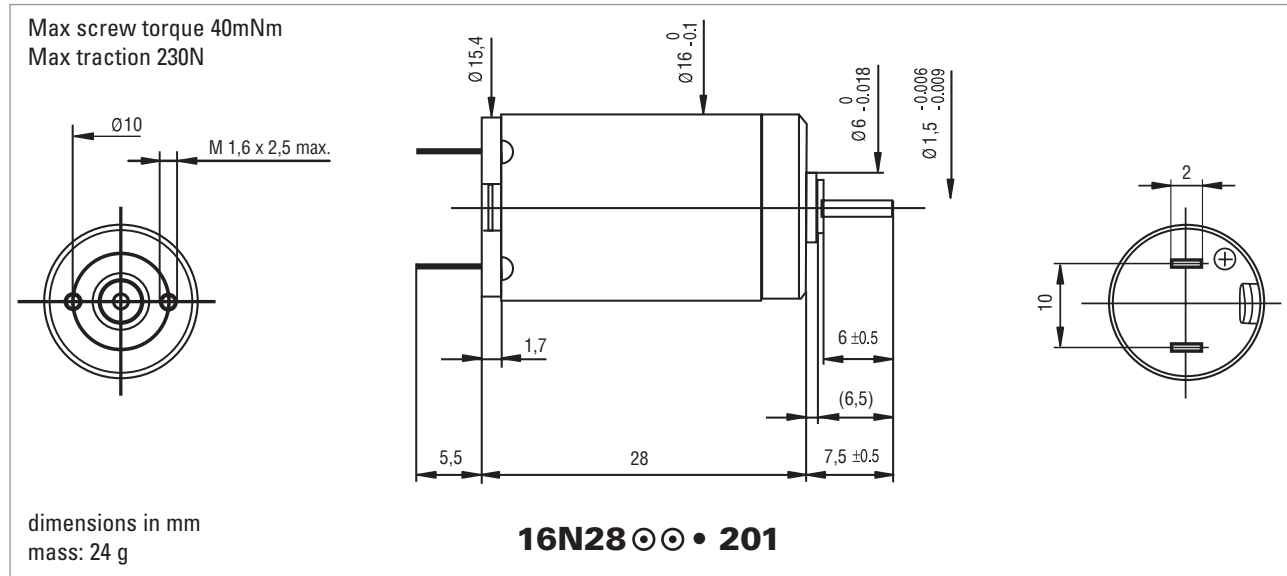
- Thermal resistance: rotor-body 7°C/W, body-ambient 28°C/W
- Thermal time constant - rotor / stator: 7 s / 390 s
- Max. rated coil temperature: 100°C (210°F)
- Recom. ambient temperature range: -30°C to +85°C (-22°F to +185°F)
- Viscous damping constant: 0.04 x 10⁻⁶ Nms
- Max. axial static force for press-fit: 100 N (with sleeve bearing only)
- End play: ≤ 150 µm Radial play: ≤ 30 µm Shaft runout: ≤ 10 µm
- Max. side load at 5 mm from mounting face: - sleeve bearings 1.5 N - ball bearings 3 N
- Motor fitted with sleeve bearings (ball bearings optional)



16N28

Precious Metal Commutation System - 9 Segments

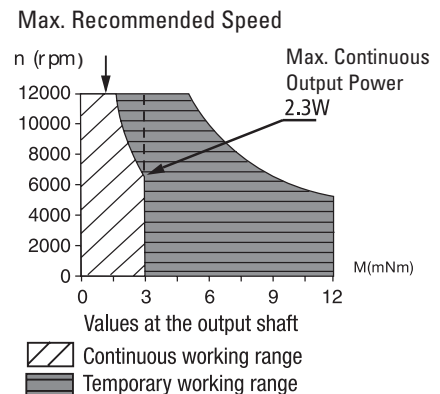
2.3 Watt



Winding Type	⊕⊕	-106	-205E	209E	207P
Measured Values					
Measuring voltage	V	16.0	18.0	9	4.8
No-load speed	rpm	10200	9600	9800	7900
Stall torque	mNm (oz-in)	3.4 (0.48)	2.9 (0.41)	5.4(0.76)	2.7(0.38)
Average No-load current	mA	6.3	4.9	8.4	11.9
Typical starting voltage	V	0.4	0.45	0.35	0.15
Max. Recommended Values					
Max. continuous current	A	0.19	0.15	0.41	0.49
Max. continuous torque	mNm (oz-in)	2.7 (0.38)	2.5 (0.35)	3.5(0.5)	2.7(0.38)
Max. angular acceleration	10 ³ rad/s ²	200	182	253	211
Intrinsic Parameters					
Back-EMF constant	V/1000 rpm	1.5	1.8	0.91	0.59
Torque constant	mNm/A (oz-in/A)	14.6 (2.07)	17.3 (2.45)	8.7	5.6
Terminal resistance	ohm	68.5	109	14.6	10
Motor regulation R/k ²	10 ³ /Nms	320	360	190	320
Rotor inductance	mH	2	3	0.7	0.28
Rotor inertia	kgm ² 10 ⁻⁷	0.53	0.55	0.55	0.51
Mechanical time constant	ms	17	20	11	16

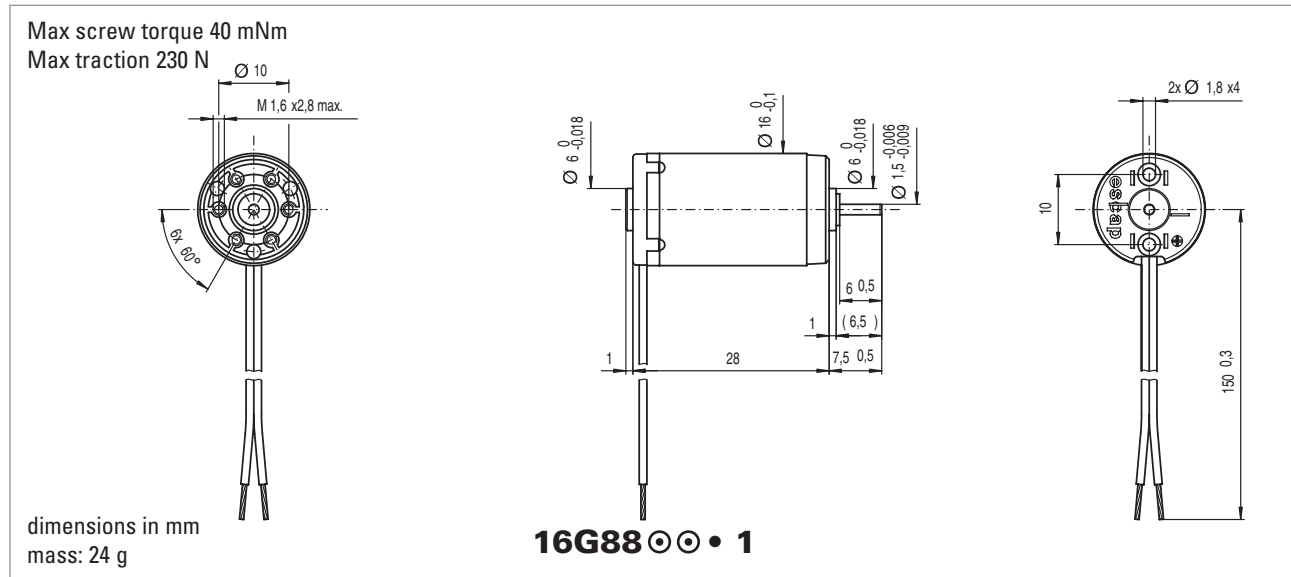
Executions			
		Single Shaft	With F16
Gearbox	Page	16N28	16N28
B16 200	236	235	235
BA16 200	237	235	235
R16	238	201	201

- Thermal resistance: rotor-body 7°C/W, body-ambient 28°C/W
- Thermal time constant - rotor / stator: 7 s / 390 s
- Max. rated coil temperature: 100°C (210°F)
- Recom. ambient temperature range: -30°C to +85°C (-22°F to +185°F)
- Viscous damping constant: 0.04 x 10⁻⁶ Nms
- Max. axial static force for press-fit: 100 N (with sleeve bearing only)
- End play: ≤ 150 μm Radial play: ≤ 30 μm Shaft runout: ≤ 10 μm
- Max. side load at 5 mm from mounting face: - sleeve bearings 1.5 N - ball bearings 3 N
- Motor fitted with sleeve bearings (ball bearings optional)



5 Watt

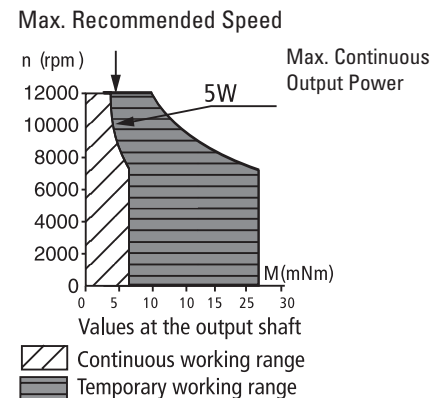
Precious Metal Commutation System - 9 Segments



Winding Type	⊙ ⊙	-220P	-213E	-211E	-210E	-214E	-205E
Measured Values							
Measuring voltage	V	3	9	12	15	8	32
No-load speed	rpm	11000	8000	8700	9000	9200	8100
Stall torque	mNm (oz-in)	16 (2.3)	12.7 (1.80)	12.1 (1.71)	12.2 (1.73)	12.1(1.71)	8.8 (1.25)
Average No-load current	mA	45	8	6.5	5.5	10	2
Typical starting voltage	V	0.02	0.12	0.18	0.20	0.09	0.6
Max. Recommended Values							
Max. continuous current	A	2.0	0.55	0.42	0.35	0.66	0.131
Max. continuous torque	mNm (oz-in)	5.2 (0.74)	5.8 (0.82)	5.4 (0.76)	5.4 (0.76)	5.3(0.75)	4.8 (0.68)
Max. angular acceleration	10 ³ rad/s ²	282	292	273	291	265	241
Intrinsic Parameters							
Back-EMF constant	V/1000 rpm	0.28	1.12	1.37	1.65	0.86	3.9
Torque constant	mNm/A (oz-in/A)	2.58 (0.36)	10.7 (1.51)	13.1 (1.85)	15.8 (2.23)	8.2	37.2
Terminal resistance	ohm	0.5	7.6	13	19.5	5.4	135
Motor regulation R/k ²	10 ³ /Nms	70	66	76	79	80	97
Rotor inductance	mH	0.01	0.15	0.26	0.40	0.12	1.7
Rotor inertia	kgm ² 10 ⁻⁷	0.8	0.8	0.8	0.74	0.8	0.8
Mechanical time constant	ms	5.6	5.3	6.1	5.8	6.4	7.8

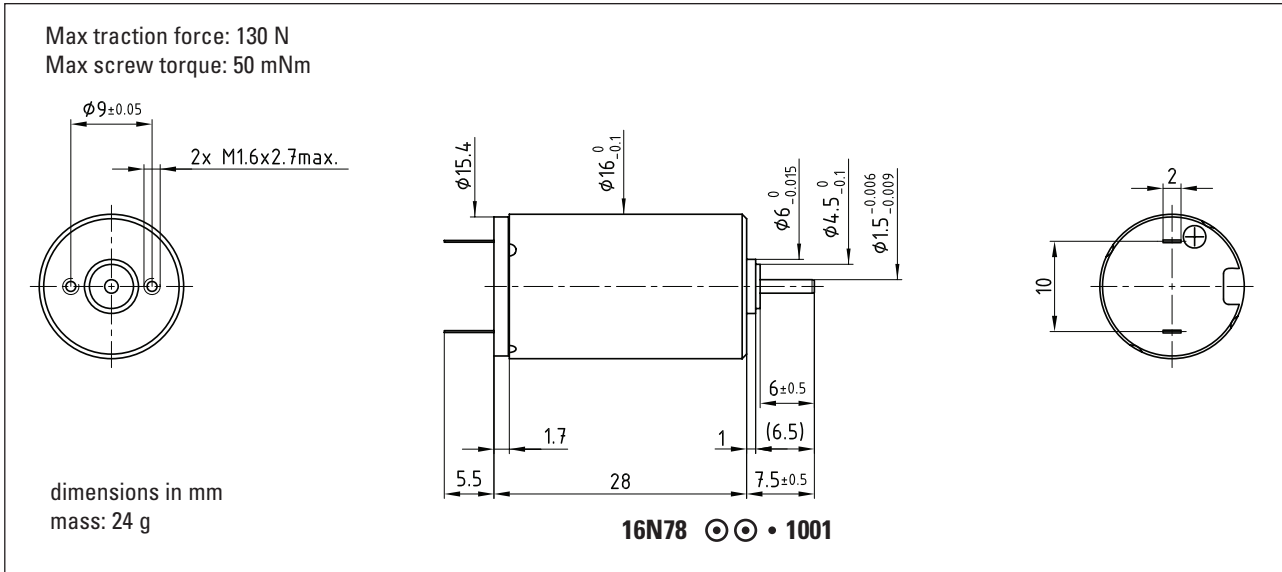
Executions		
		Single Shaft
Gearbox	Page	16G88
B16	236	5
BA16	237	5
R16	238	1

- Thermal resistance: rotor-body 8°C/W, body-ambient 35°C/W
- Thermal time constant - rotor / stator: 6 s / 500 s
- Max. rated coil temperature: 100°C (210°F)
- Recom. ambient temperature range: -30°C to +85°C (-22°F to +185°F)
- Viscous damping constant: 0.05 x 10⁻⁶ Nms
- Max. axial static force for press-fit: 100 N
- End play: ≤ 150 μm
- Radial play: ≤ 30 μm
- Shaft runout: ≤ 10 μm
- Max. side load at 5 mm from mounting face: - sleeve bearings 1.5 N
- Motor fitted with sleeve bearings



Precious Metal Commutation System - 9 Segments

4 Watt

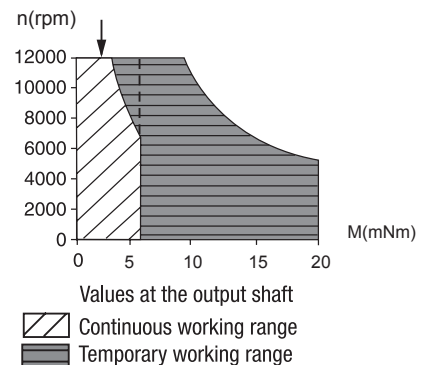


Winding Type	☉☉	135	212P	214E	212E	210E	208E
Measured Values							
Measuring voltage	V	1.5	6	9	12	18	24
No-load speed	rpm	9300	9300	8300	8400	9300	8200
Stall torque	mNm	11.5	12.2	12.4	12.4	12.0	11.0
Average No-load current	mA	60	14	10	5	5	3
Typical starting voltage	V	0.1	0.15	0.25	0.3	0.45	0.5
Max. Recommended Values							
Max. continuous current	A	4.00	1.03	0.65	0.49	0.34	0.23
Max. continuous torque	mNm	6.00	6.20	6.60	6.60	6.20	6.30
Max. angular acceleration	10 ³ rad/s ²	220	237	212	220	207	214
Intrinsic Parameters							
Back-EMF constant	V/1000 rpm	0.16	0.64	1.08	1.42	1.93	2.90
Torque constant	mNm/A	1.5	6.1	10.3	13.6	18.4	27.7
Terminal resistance	Ohms	0.2	3.0	7.5	13.2	27.5	60.5
Motor regulation R/k ²	10 ³ /Nms	89	81	71	71	81	79
Rotor inductance	mH	0.01	0.10	0.60	1.80	4.70	7.00
Rotor inertia	kgm ² 10 ⁻⁷	1.10	1.05	1.25	1.20	1.20	1.18
Mechanical time constant	ms	9.4	8.4	8.8	8.7	9.7	9.3

Executions			
		Single Shaft	With MR2
Gearbox	Page	16N78	16N98
B16	236	1005	1008
BA16	237	1005	1008
R16	238	1001	1007

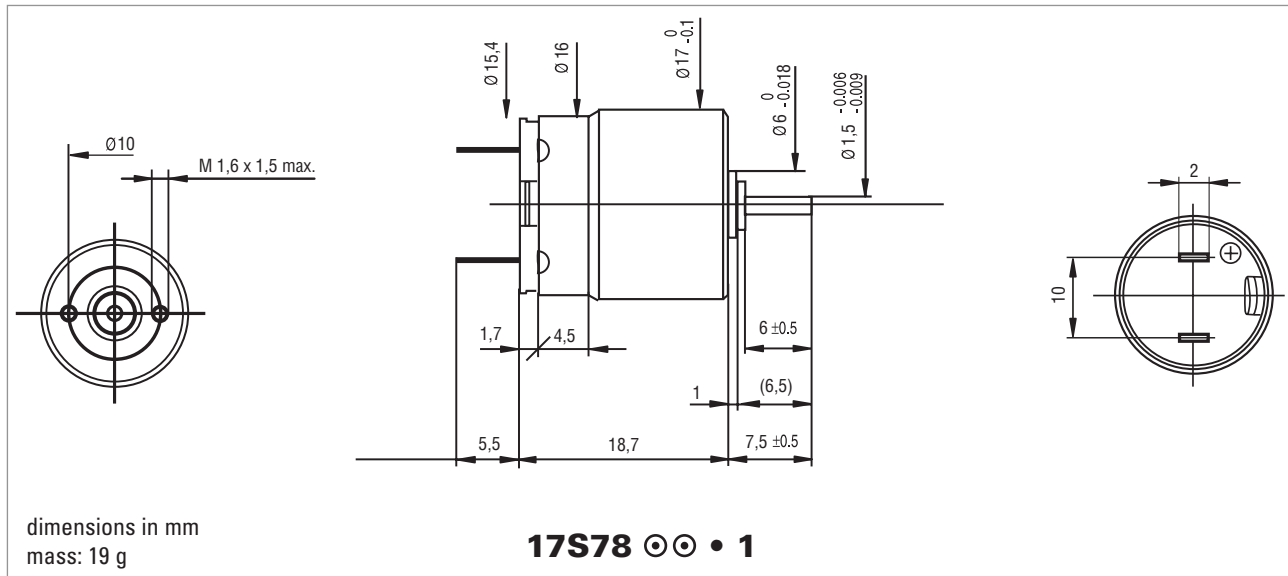
- Thermal resistance : rotor-body 7°C/W
body-ambient 28°C/W
- Thermal time constant – rotor/stator: 7s / 390s
- Max. rated coil temperature: 100°C (210°F)
- Recom. Ambient temperature range: -30°C to +85°C (-22°F to +185°F)
- Viscous damping constant: 0.04 x 10⁻⁶ Nms
- Max axial static force for press-fit: 100N (with sleeve bearing only)
- End play: ≤ 150 µm
Radial play: ≤ 30 µm
Shaft runout: ≤ 10 µm
- Max. side load at 5mm from mounting face – sleeve bearings 1.5 N
– ball bearings 3 N
- Motor fitted with sleeve bearings (ball bearings optional)

Max. Recommended Speed



2.4 Watt

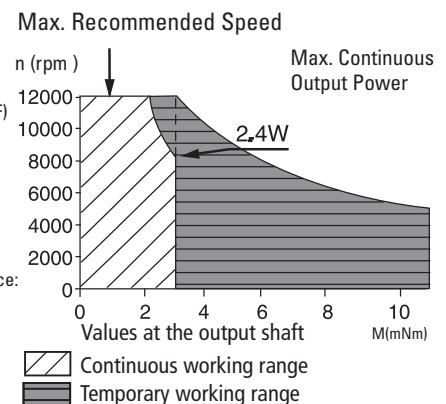
Precious Metal Commutation System - 9 Segments



Winding Type	○○	-208P	-210E	-209E
Measured Values				
Measuring voltage	V	6	7.5	12
No-load speed	rpm	10200	10700	12500
Stall torque	mNm (oz-in)	4.3 (0.61)	3.9 (0.55)	5.9 (0.84)
Average No-load current	mA	25	18	8.4
Typical starting voltage	V	0.09	0.09	0.16
Max. Recommended Values				
Max. continuous current	A	0.50	0.38	0.32
Max. continuous torque	mNm (oz-in)	2.6 (0.37)	2.4 (0.34)	2.8 (0.4)
Max. angular acceleration	10 ³ rad/s ²	204	190	224
Intrinsic Parameters				
Back-EMF constant	V/1000 rpm	0.57	0.68	0.95
Torque constant	mNm/A (oz-in/A)	5.4 (0.77)	6.4	9.1
Terminal resistance	ohm	6.9	12.2	18.6
Motor regulation R/k ²	10 ³ /Nms	250	300	230
Rotor inductance	mH	0.15		
Rotor inertia	kgm ² 10 ⁻⁷	0.50	0.5	0.50
Mechanical time constant	ms	13	15	11

Executions			
		Single Shaft	With F16
Gearbox	Page	17S78	17S78
B16	236	5	5
BA16	237	5	5
R16	238	1	1

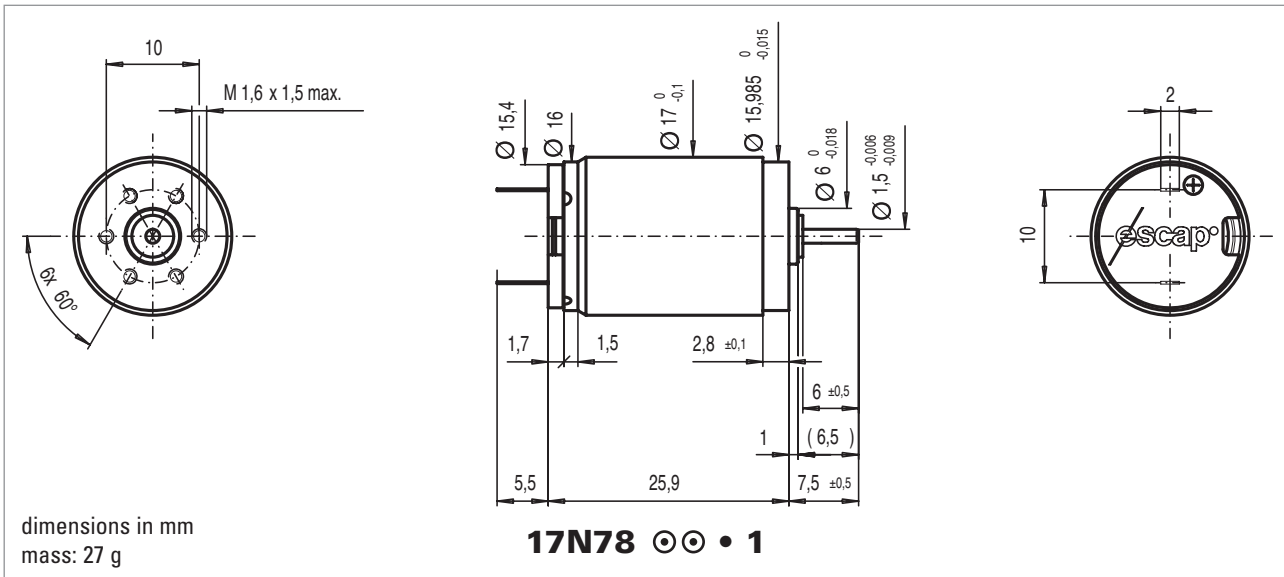
- Thermal resistance: rotor-body 13°C/W, body-ambient 38°C/W
- Thermal time constant - rotor / stator: 7 s / 350 s
- Max. rated coil temperature: 100°C (210°F)
- Recom. ambient temperature range: -30°C to +85°C (-22°F to +185°F)
- Viscous damping constant: 0.04 x 10⁻⁶ Nms
- Max. axial static force for press-fit: 100 N
- End play: ≤ 150 μm
- Radial play: ≤ 30 μm
- Shaft runout: ≤ 10 μm
- Max. side load at 5 mm from mounting face:
 - sleeve bearings 1.5 N
 - ball bearings 3 N
- Motor fitted with sleeve bearings



17N78

Precious Metal Commutation System - 9 Segments

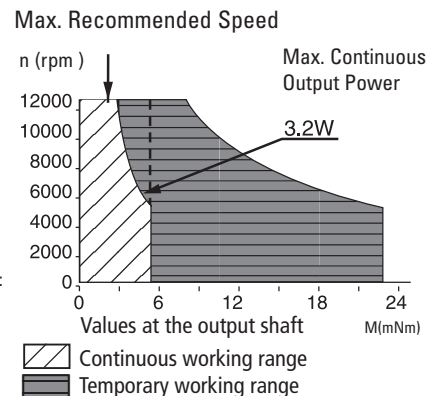
3.2 Watt



Winding Type	☉☉	-216E	-122A	-210E	-208E	-207E
Measured Values						
Measuring voltage	V	6.0	2	12.0	18.0	24.0
No-load speed	rpm	8500	7000	8500	8500	8900
Stall torque	mNm (oz-in)	12.5 (1.77)	7.6 (1.08)	9.3 (1.31)	9.4 (1.33)	9.4 (1.33)
Average No-load current	mA	10.5	60	7.7	4.9	3.5
Typical starting voltage	V	0.04	0.02	0.08	0.11	0.16
Max. Recommended Values						
Max. continuous current	A	0.86	1.5	0.37	0.25	0.19
Max. continuous torque	mNm (oz-in)	5.69 (0.81)	3.9 (0.55)	4.85 (0.69)	4.89 (0.69)	4.79 (0.68)
Max. angular acceleration	10 ³ rad/s ²	207	272	243	258	266
Intrinsic Parameters						
Back-EMF constant	V/1000 rpm	0.70	0.28	1.40	2.10	2.67
Torque constant	mNm/A (oz-in/A)	6.7 (0.95)	2.67	13.4 (1.89)	20.1 (2.84)	25.5 (3.61)
Terminal resistance	ohm	3.20	0.7	17.3	38.4	65.0
Motor regulation R/k ²	10 ³ /Nms	72	98	97	95	100
Rotor inductance	mH	0.11		0.40	0.90	1.41
Rotor inertia	kgm ² 10 ⁻⁷	1.10	0.7	0.80	0.76	0.72
Mechanical time constant	ms	8	6.9	8	7	7

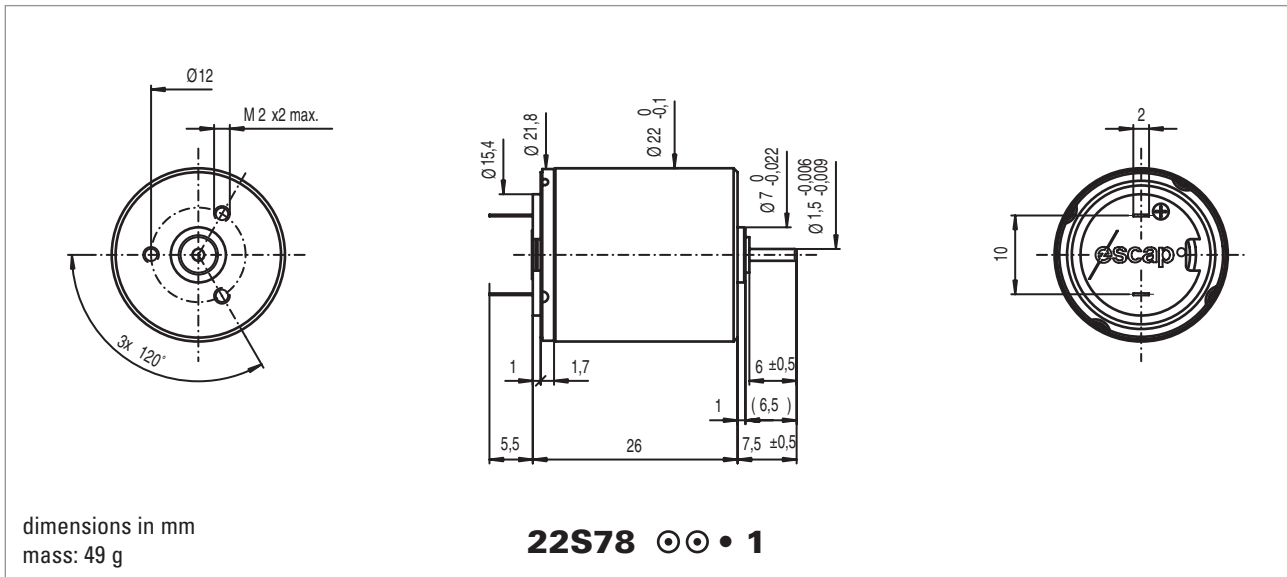
Executions			
		Single Shaft	With F16
Gearbox	Page	17N78	17N78
B16	236	5	5
BA16	237	5	5
R16	238	1	1

- Thermal resistance: rotor-body 10°C/W, body-ambient 30°C/W
- Thermal time constant - rotor / stator: 7 s / 400 s
- Max. rated coil temperature: 100°C (210°F)
- Recom. ambient temperature range: -30°C to +85°C (-22°F to +185°F)
- Viscous damping constant: 0.04 x 10⁻⁶ Nms
- Max. axial static force for press-fit: 100 N
- End play: ≤ 150 μm
- Radial play: ≤ 30 μm
- Shaft runout: ≤ 10 μm
- Max. side load at 5 mm from mounting face:
 - sleeve bearings 1.5 N
 - ball bearings 3 N
- Motor fitted with sleeve bearings (ball bearings optional)



6 Watt

Precious Metal Commutation System - 9 Segments

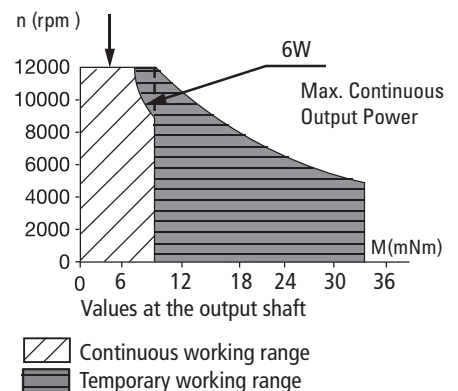


Winding Type	☉☉	208E	210E
Measured Values			
Measuring voltage	V	24	18
No-load speed	rpm	8500	7800
Stall torque	mNm (oz-in)	18.3 (2.6)	22 (3.1)
Average No-load current	mA	3.3	4.5
Typical starting voltage	V	0.2	0.1
Max. Recommended Values			
Max. continuous current	A	0.3	0.41
Max. continuous torque	mNm (oz-in)	7.7 (1.1)	8.9
Max. angular acceleration	10 ³ rad/s ²	385	372
Intrinsic Parameters			
Back-EMF constant	V/1000 rpm	2.8	2.3
Torque constant	mNm/A (oz-in/A)	26.7 (3.78)	22
Terminal resistance	ohm	35	18
Motor regulation R/k ²	10 ³ /Nms	49	37
Rotor inductance	mH	0.85	
Rotor inertia	kgm ² 10 ⁻⁷	1.6	1.9
Mechanical time constant	ms	7.8	7.1

Executions		
		Single Shaft
Gearbox	Page	22S78
R22	239	1

- Thermal resistance: rotor-body 5°C/W, body-ambient 30°C/W
- Thermal time constant - rotor / stator: 7 s / 480 s
- Max. rated coil temperature: 100°C (210°F)
- Recom. ambient temperature range: -30°C to +85°C (-22°F to +185°F)
- Viscous damping constant: 0.04 x 10⁻⁶ Nms
- Max. axial static force for press-fit: 100 N
- End play: ≤ 150 µm
- Radial play: ≤ 30 µm
- Shaft runout: ≤ 10 µm
- Max. side load at 5 mm from mounting face:
 - sleeve bearings 1.5 N
 - ball bearings 3 N
- Motor fitted with sleeve bearings (ball bearings optional)

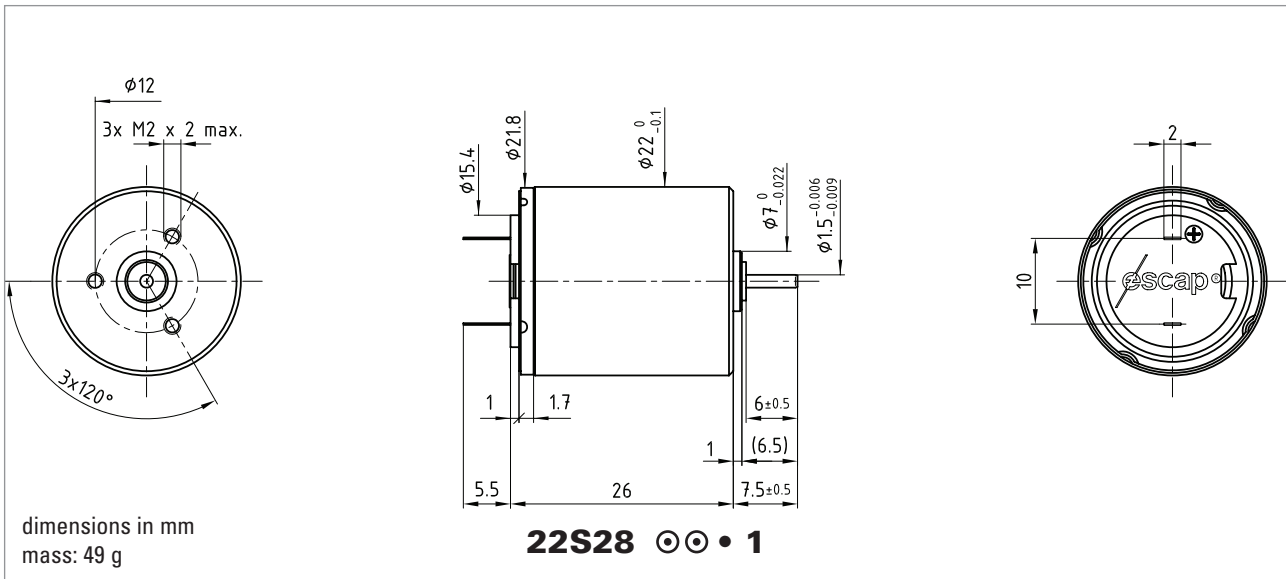
Max. Recommended Speed



22S28

Precious Metal Commutation System - 9 Segments

2.5 Watt

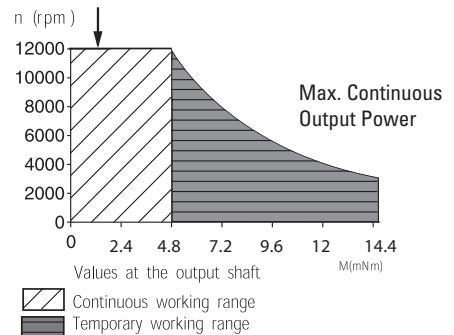


Winding Type	☉☉	205E	208E
Measured Values			
Measuring voltage	V	24	15
No-load speed	rpm	7900	9600
Stall torque	mNm (oz-in)	4.9 (0.58)	6.3 (0.89)
Average No-load current	mA	2.8	6
Typical starting voltage	V	0.3	0.2
Max. Recommended Values			
Max. continuous current	A	0.146	0.29
Max. continuous torque	mNm (oz-in)	4.1 (0.58)	4.2 (0.59)
Max. angular acceleration	10 ³ rad/s ²	108	105
Intrinsic Parameters			
Back-EMF constant	V/1000 rpm	2.97	1.54
Torque constant	mNm/A (oz-in/A)	28.4	14.7
Terminal resistance	ohm	140	35
Motor regulation R/k ²	10 ³ /Nms	170	160
Rotor inductance	mH	3.6	0.92
Rotor inertia	kgm ² 10 ⁻⁷	1.5	1.6
Mechanical time constant	ms	26	26

Executions		
		Single Shaft
Gearbox	Page	22S28
R22	239	1

- Thermal resistance: rotor-body 5°C/W
body-ambient 30°C/W
- Thermal time constant - rotor / stator: 7 s / 480 s
- Max. rated coil temperature: 100°C (210°F)
- Recom. ambient temperature range: -30°C to +85°C (-22°F to +185°F)
- Viscous damping constant: 0.04 x 10⁻⁶ Nms
- Max. axial static force for press-fit: 100 N
- End play: ≤ 150 μm
- Radial play: ≤ 30 μm
- Shaft runout: ≤ 10 μm
- Max. side load at 5 mm from mounting face:
 - sleeve bearings 1.5 N
 - ball bearings 3 N
- Motor fitted with sleeve bearings (ball bearings optional)

Max. Recommended Speed



22V28/48

Precious Metal Commutation System - 9 Segments

4.5 Watt

Max screw torque 130 mNm
Max traction 300N

dimensions in mm
mass: 68 g

22V28 ☉☉ • 201

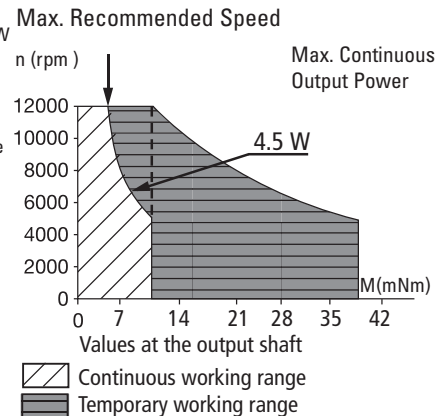
22V48 ☉☉ • 204

Winding Type	☉☉	-213P	-216E	-213E	-210E	-208E
Measured Values						
Measuring voltage	V	6.0	9.0	12.0	15.0	24.0
No-load speed	rpm	7100	6700	7600	7500	6300
Stall torque	mNm (oz-in)	16.0 (2.27)	17.1 (2.42)	15.0 (2.13)	11.5 (1.63)	11.5 (1.62)
Average No-load current 1)	mA	15/22	9/13.5	7.6/11	6.0/9	3.2/4.8
Typical starting voltage 1)	V	0.08/0.3	0.10/0.4	0.15/0.6	0.24/1.0	0.4/1.6
Max. Recommended Values						
Max. continuous current	A	1.15	0.77	0.58	0.40	0.23
Max. continuous torque	mNm (oz-in)	9.09 (1.29)	9.66 (1.37)	8.48 (1.20)	7.4 (1.05)	8.13 (1.15)
Max. angular acceleration	10 ³ rad/s ²	113	99	105	102	134
Intrinsic Parameters						
Back-EMF constant	V/1000 rpm	0.84	1.33	1.56	1.97	3.75
Torque constant	mNm/A (oz-in/A)	8.0 (1.13)	12.7 (1.80)	14.9 (2.11)	18.8 (2.66)	35.8 (5.07)
Terminal resistance	ohm	3.00	6.70	11.9	24.5	75.0
Motor regulation R/k ²	10 ³ /Nms	47	42	54	69	58
Rotor inductance	mH	0.15	0.50	0.55	0.80	3.30
Rotor inertia	kgm ² 10 ⁻⁷	3.20	3.90	3.20	2.90	2.40
Mechanical time constant	ms	15	16	17	20	14

1) Single Shaft/double shaft

		Executions		
		Single Shaft	For F16	For E9
Gearbox	Page	22V28	22V28	22V48
R22	239	202	202	225
M22	240	201	201	204
K24	241	202	202	225
K27	242	202	202	225
RG1/8	245	201	201	204
RG1/9	246	201	201	204
K38	244	201	201	204

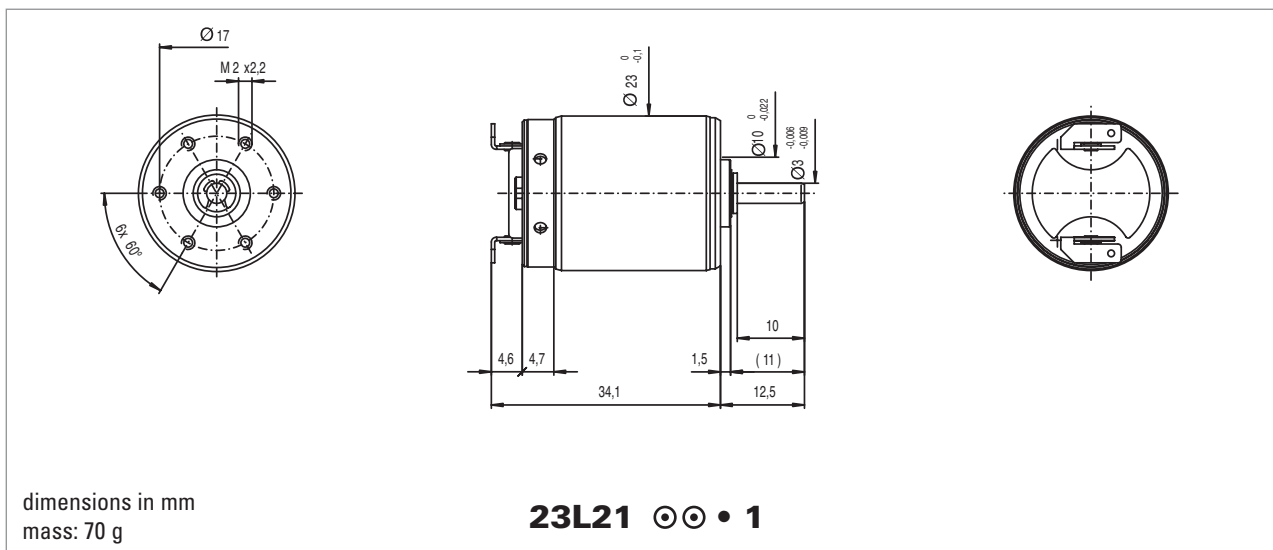
- Thermal resistance: rotor-body 6°C/W, body-ambient 22°C/W
- Thermal time constant - rotor / stator: 10 s / 460 s
- Max. rated coil temperature: 100°C (210°F)
- Recom. ambient temperature range: -30°C to +85°C (-22°F to +185°F)
- Viscous damping constant: 0.1 x 10⁻⁶ Nms
- Max. axial static force for press-fit: 150 N
- End play: ≤ 150 µm
Radial play: ≤ 30 µm
Shaft runout: ≤ 10 µm
- Max. side load at 5 mm from mounting face:
- sleeve bearings 3 N
- ball bearings 6 N
- Motor fitted with sleeve bearings (ball bearings optional)



23L21

Precious Metal Commutation System - 9 Segments

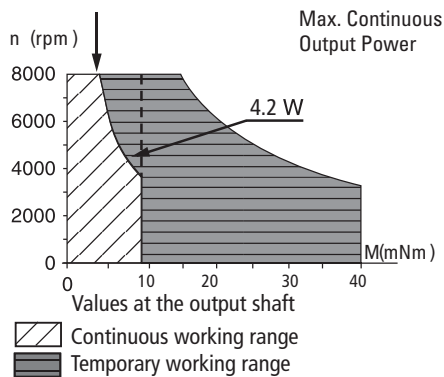
4.2 Watt



Winding Type	☉☉	-216E	-213E	-208E
Measured Values				
Measuring voltage	V	9.0	12	24
No-load speed	rpm	6800	7500	6400
Stall torque	mNm (oz-in)	16.9 (2.39)	14.9 (2.11)	11.1 (1.57)
Average No-load current	mA	30	28	11
Typical starting voltage	V	0.1	0.2	0.5
Max. Recommended Values				
Max. continuous current	A	0.77	0.58	0.23
Max. continuous torque	mNm (oz-in)	9.2 (1.30)	8.2 (1.16)	7.6 (1.08)
Max. angular acceleration	10 ³ rad/s ²	82	91	87
Intrinsic Parameters				
Back-EMF constant	V/1000 rpm	1.30	1.55	3.62
Torque constant	mNm/A (oz-in/A)	12.4 (1.76)	14.8 (2.10)	34.6
Terminal resistance	ohm	6.6	11.9	75
Motor regulation R/k ²	10 ³ /Nms	43	54	63
Rotor inductance	mH	0.4	0.55	3.3
Rotor inertia	kgm ² 10 ⁻⁷	4.5	3.6	3.5
Mechanical time constant	ms	19	20	22

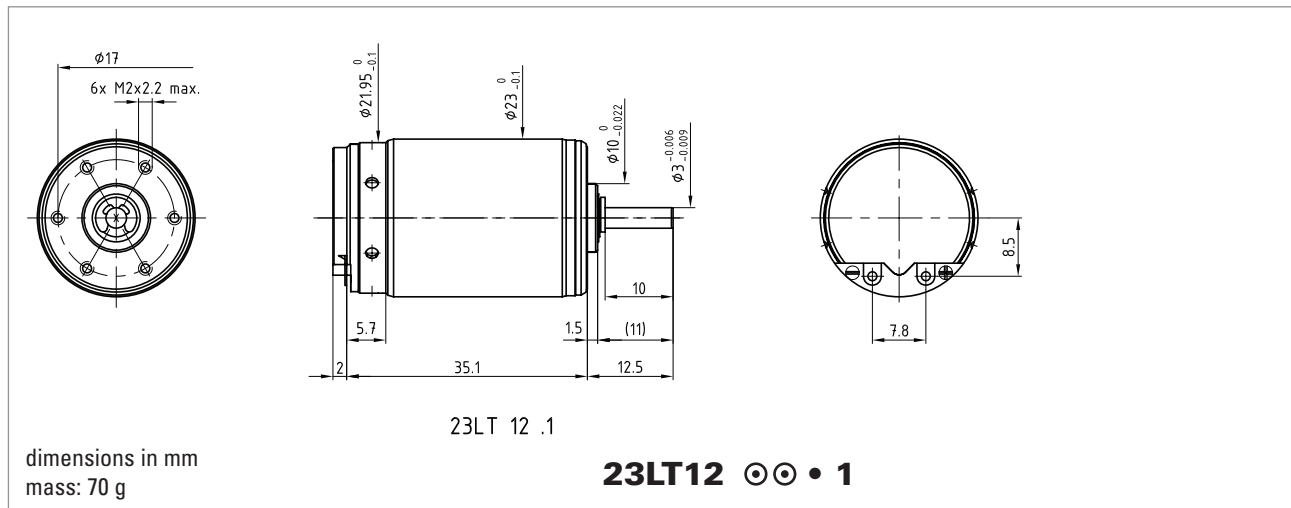
- Thermal resistance: rotor-body 7°C/W, body-ambient 16°C/W
- Thermal time constant - rotor / stator: 12 s / 460 s
- Max. rated coil temperature: 100°C
- Recom. ambient temperature range: -30°C to +85°C (-22°F to 285°F)
- Max. axial static force for press-fit: 250 N
- End play: ≤ 150 µm
- Radial play: ≤ 18 µm
- Shaft runout: ≤ 10 µm
- Max. side load at 5 mm from mounting face: sleeve bearings 6 N, ball bearings 8 N
- Motor exec. • 1 fitted with sleeve bearings (ball bearings optional)

Max. Recommended Speed



8.4 Watt

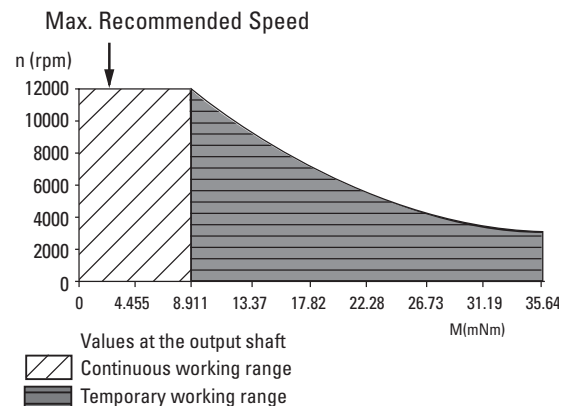
Graphite/Copper Commutation System - 9 Segments



Winding Type	☉☉	216E	213E
Measured Values			
Measuring voltage	V	12	15
No-load speed	rpm	8800	9000
Stall torque	mNm (oz-in)	22 (3.1)	18.3 (2.6)
Average No-load current	mA	90	80
Typical starting voltage	V	--	--
Max. Recommended Values			
Max. continuous current	A	0.92	0.69
Max. continuous torque	mNm (oz-in)	10.3 (1.46)	9 (1.27)
Max. angular acceleration	10 ³ rad/s ²	109	55
Intrinsic Parameters			
Back-EMF constant	V/1000 rpm	1.3	1.55
Torque constant	mNm/A (oz-in/A)	12.4	14.8
Terminal resistance	ohm	6.9	12.2
Motor regulation R/k ²	10 ³ /Nms	45	55
Rotor inductance	mH	0.4	0.55
Rotor inertia	kgm ² 10 ⁻⁷	4.7	3.8
Mechanical time constant	ms	21	21

Executions		
		Single Shaft
Gearbox	Page	23LT12--
R22	239	
K24	241	5
K27	242	5
K38	244	18
RG1/8	245	20
RG1/9	246	22

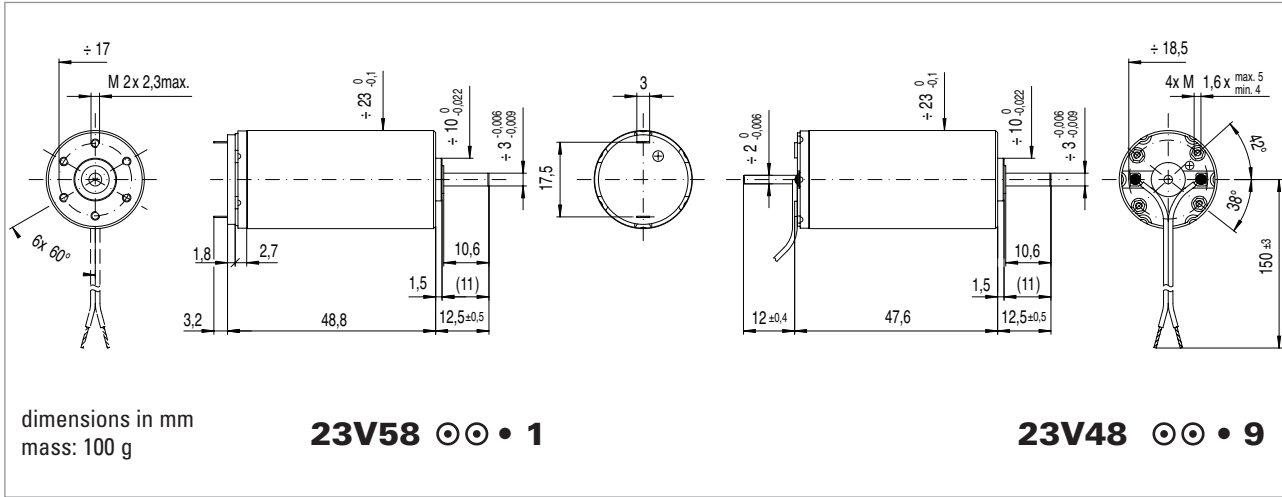
- Thermal resistance: rotor-body 7 °C/W body-ambient 16 °C/W
- Thermal time constant - rotor / stator: 12s/460s
- Max. rated coil temperature: 155°C
- Recom. ambient temperature range: -30°C to +125°C (-22°F to +257°F)
- Max. axial static force for press-fit: 250 N
- End play: ≤ 150 µm
- Radial play: ≤ 30 µm
- Shaft runout: ≤ 10 µm
- Max. side load at 5 mm from mounting face - sleeve bearings 6 N
- Motor fitted with ball bearings



23V58 & 23V48

Precious Metal Commutation System - 9 Segments

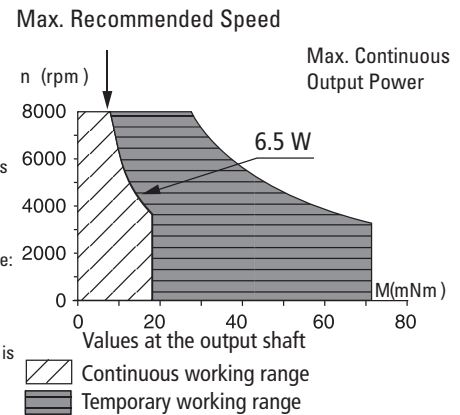
6.5 Watt



Winding Type	☉☉	-216P	-216E	-210E
Measured Values				
Measuring voltage	V	6.0	12.0	24
No-load speed	rpm	4500	4800	6400
Stall torque	mNm (oz-in)	31 (4.4)	29 (4.1)	23 (3.3)
Average No-load current	mA	30.8	18.7	16.5
Typical starting voltage	V	0.05	0.13	10.2
Max. Recommended Values				
Max. continuous current	A	1.49	0.75	0.39
Max. continuous torque	mNm (oz-in)	18.2 (2.6)	17.2 (2.4)	13 (1.84)
Max. angular acceleration	10 ³ rad/s ²	123	116	140
Intrinsic Parameters				
Back-EMF constant	V/1000 rpm	1.31	2.47	3.64
Torque constant	mNm/A (oz-in/A)	12.5 (1.7)	23.5 (3.33)	34.8
Terminal resistance	ohm	2.45	9.7	35.77
Motor regulation R/k ²	10 ³ /Nms	16	17	30
Rotor inductance	mH	0.20	0.80	1.7
Rotor inertia	kgm ² 10 ⁻⁷	5.90	5.90	3.7
Mechanical time constant	ms	9	10	11

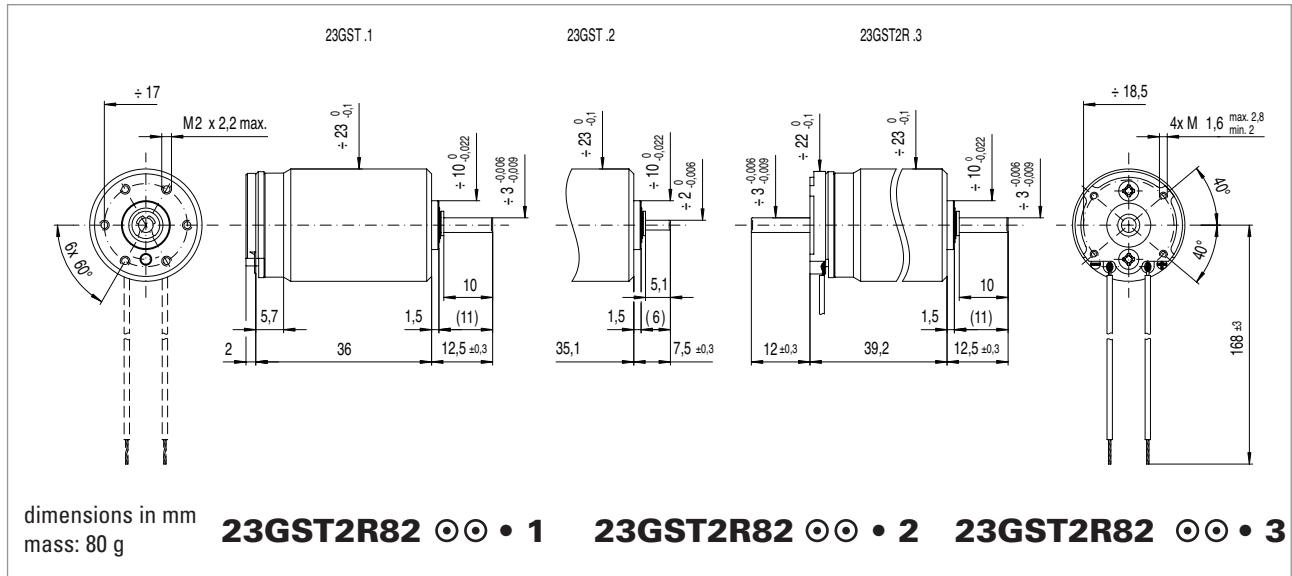
Executions			
		Single Shaft	For E9
Gearbox	Page	23V58	23V48
R22	239	4	11
M22	240	4	11
K24	241	4	11
K27	242	4	11
RG1/8	245	1	9
RG1/9	246	1	9
K38	244	1	9

- Thermal resistance: rotor-body 5°C/W, body-ambient 12°C/W
- Thermal time constant - rotor / stator: 10 s / 580 s
- Max. rated coil temperature: 100°C
- Recom. ambient temperature range: -30°C to +85°C (-22°F to +185°F)
- Viscous damping constant: 0.45 x 10⁻⁶ Nms
- Max. axial static force for press-fit: 250 N
- End play: ≤ 150 μm
- Radial play: ≤ 30 μm
- Shaft runout: ≤ 10 μm
- Max. side load at 5 mm from mounting face: sleeve bearings 6 N, ball bearings 8 N
- Motor fitted with sleeve bearings (ball bearings optional)
- With rear output shaft, the N-load current is 50% higher



18 Watt

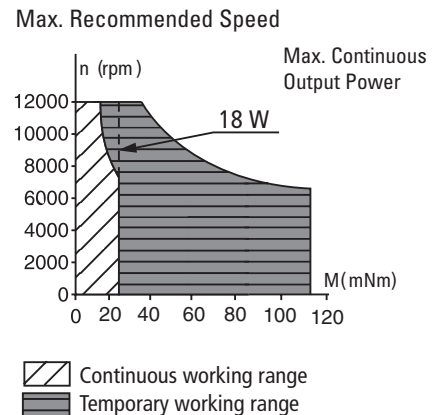
Graphite/Copper Commutation System - 9 Segments



Winding Type	☉☉	-216P	-216E
Measured Values			
Measuring voltage	V	12	24
No-load speed	rpm	8700	9100
Stall torque	mNm (oz-in)	80 (11.3)	87 (12.3)
Average No-load current	mA	90	60
Typical starting voltage	V	-	-
Max. Recommended Values			
Max. continuous current	A	1.7	0.9
Max. continuous torque	mNm (oz-in)	21 (3.0)	22 (3.1)
Max. angular acceleration	10 ³ rad/s ²	226	231
Intrinsic Parameters			
Back-EMF constant	V/1000 rpm	1.36	2.61
Torque constant	mNm/A (oz-in/A)	13 (1.84)	25 (3.53)
Terminal resistance	ohm	1.95	6.85
Motor regulation R/k ²	10 ³ /Nms	12 (0.1)	11 (0.4)
Rotor inductance	mH		
Rotor inertia	kgm ² 10 ⁻⁷	4.7	4.7
Mechanical time constant	ms	5.4	5.2

Executions			
		Single Shaft	For E9
Gearbox	Page	23GST82	23GST82
R22	239	2	--
M22	240	2	--
K27	242	2	--
RG1/8	245	1	3
RG1/9	246	1	3
K38	244	1	3

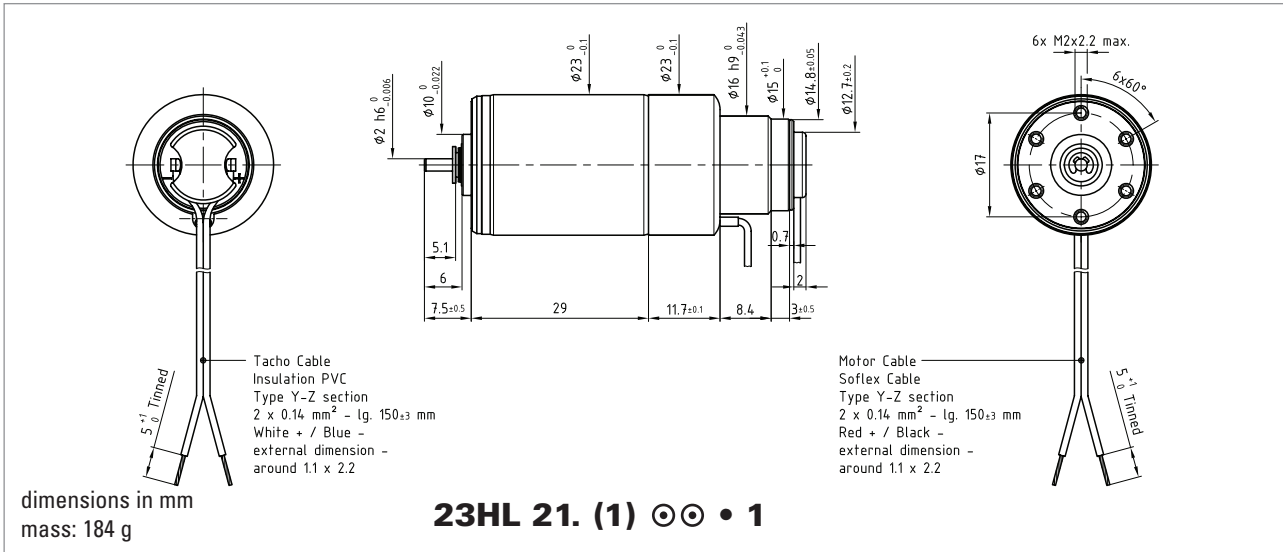
- Thermal resistance: rotor-body 7°C/W
body-ambient 16°C/W
- Thermal time constant - rotor / stator: 12 s / 460 s
- Max. rated coil temperature: 155°C
- Recom. ambient temperature range: -30°C to +125°C (-22°F to +257°F)
- Max. axial static force for press-fit: 250 N
- End play: ≤ 150 μm
Radial play: ≤ 30 μm
Shaft runout: ≤ 10 μm
- Max. side load at 5 mm from mounting face: - sleeve bearings 6 N
- Motor fitted with ball bearings



23HL

Precious Metal Commutation System - 9 Segments

4.2 Watt

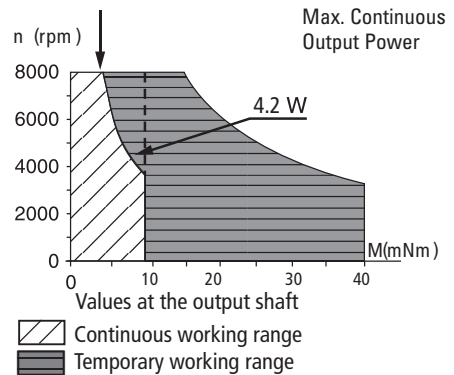


Winding Type	☉☉	-216E	-213E
Measured Values			
Measuring voltage	V	9.0	12
No-load speed	rpm	6800	7500
Stall torque	mNm (oz-in)	16.9 (2.39)	14.9 (2.11)
Average No-load current	mA	30	28
Typical starting voltage	V	0.1	0.2
Max. Recommended Values			
Max. continuous current	A	0.77	0.58
Max. continuous torque	mNm (oz-in)	9.2 (1.31)	8.2 (1.16)
Max. angular acceleration	10 ³ rad/s ²	82	91
Intrinsic Parameters			
Back-EMF constant	V/1000 rpm	1.30	1.55
Torque constant	mNm/A (oz-in/A)	12.4 (1.76)	14.8 (2.10)
Terminal resistance	ohm	6.6	11.9
Motor regulation R/k ²	10 ³ /Nms	43	54
Rotor inductance	mH	0.4	0.55
Rotor inertia	kgm ² 10 ⁻⁷	4.5	3.6
Mechanical time constant	ms	19	20

Contact Portescap for Tacho specifications.

- Thermal resistance: rotor-body 7°C/W
body-ambient 16°C/W
- Thermal time constant - rotor / stator: 12 s / 460 s
- Max. rated coil temperature: 100°C
- Recom. ambient temperature range: -30°C to +85°C (-22°F to 285°F)
- Max. axial static force for press-fit: 250 N
- End play: ≤ 150 μm
Radial play: ≤ 18 μm
Shaft runout: ≤ 10 μm
- Max. side load at 5 mm from mounting face:
- sleeve bearings 6 N
- ball bearings 8 N
- Motor exec. • 1 fitted with sleeve bearings (ball bearings optional)

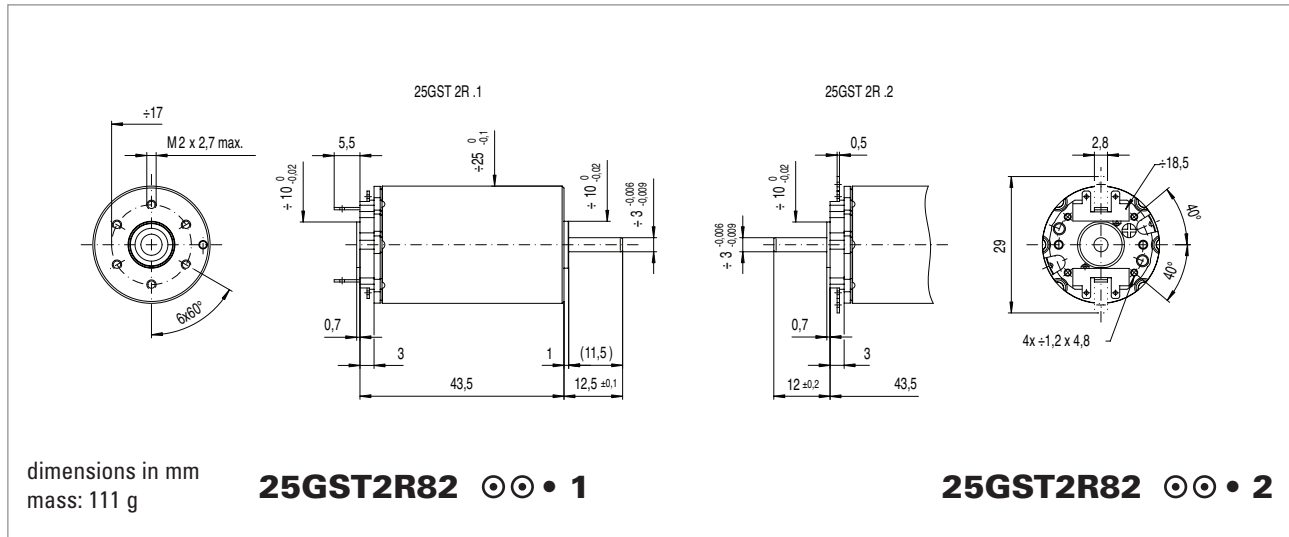
Max. Recommended Speed



25GST2R82

27 Watt

Graphite/Copper Commutation System - 9 Segments

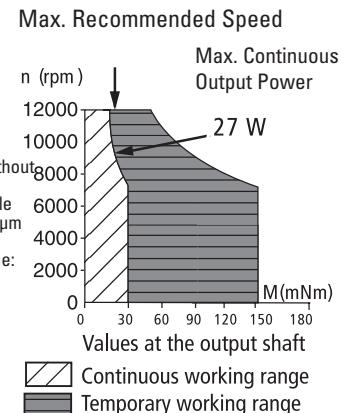


Winding Type	☉☉	-219P	-230E	-216P	-216E
Measured Values					
Measuring voltage	V	18	18	24	35
No-load speed	rpm	11100	11400	10300	7800
Stall torque	mNm (oz-in)	172 (24)	206 (29)	160 (25)	161 (23)
Average No-load current 1)	mA	110	110	70	118
Typical starting voltage 1)	V	--	--	--	--
Max. Recommended Values					
Max. continuous current	A	2.1	2.3	1.45	0.75
Max. continuous torque	mNm (oz-in)	30 (4.2)	33 (4.7)	30 (4.2)	30 (4.2)
Max. angular acceleration	10 ³ rad/s ²	151	164	152	148
Intrinsic Parameters					
Back-EMF constant	V/1000 rpm	1.6	1.56	2.3	4.4
Torque constant	mNm/A (oz-in/A)	15.3 (2.16)	14.9 (2.11)	22 (3.11)	42 (5.9)
Terminal resistance	ohm	1.6	1.3	3.3	12.5
Motor regulation R/k ²	10 ³ /Nms	6.9	5.9	6.8	7.1
Rotor inductance	mH	0.08	0.1	0.1	0.8
Rotor inertia	kgm ² 10 ⁻⁷	10	10	10	10
Mechanical time constant	ms	6.9	5.9	6.8	7.1

1) Single Shaft/double shaft

		Executions		
		Single Shaft	For E9	HED5
Gearbox	Page	25GST2R82	25GST2R82	25GST2R82
K40	247	6	8	--
R32	243	6	8	--
R40	248	1	2	4

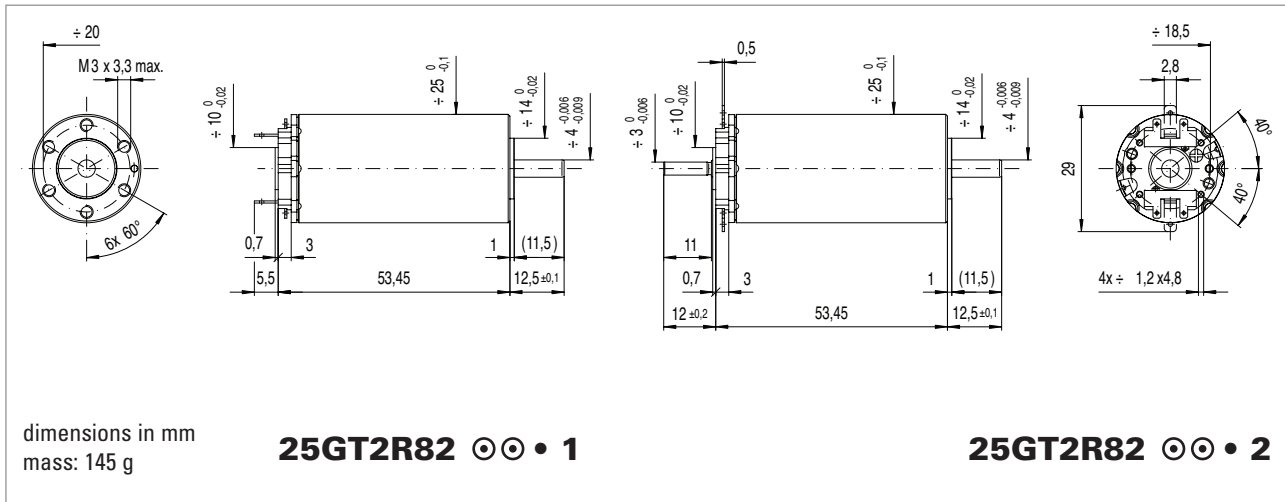
- Thermal resistance: rotor-body 6°C/W, body-ambient 13°C/W
- Thermal time constant - rotor / stator: 10 s / 450 s
- Max. rated coil temperature: 155°C
- Recom. ambient temperature range: -30°C to +125°C (-22°F to +257°F)
- Max. axial static force for press-fitting without holding shaft (sleeve/ball b.) 500 N/68N
- Axial/radial play (ball bearings) neglectable
- Max axial/radial play (sleeve b.) 150µm/30µm
- Shaft runout: ≤ 10 µm
- Max. side load at 5 mm from mounting face:
 - sleeve bearings 6 N
 - ball bearings 12 N
- Motor fitted with ball bearings
- 83 Communication is recommended for servo applications
- For filter add 'f' to designation before the coil



25GT2R82

Graphite/Copper Communication System - 9 Segments

40 Watt



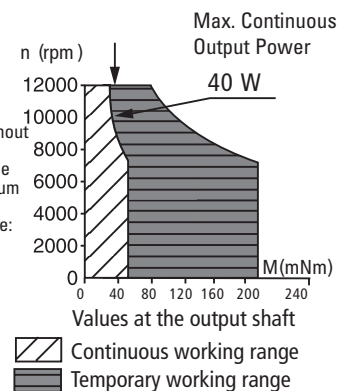
Winding Type	00	-222E	-222P	-219P	-219E
Measured Values					
Measuring voltage	V	15	18	24	36
No-load speed	rpm	4130	9500	10300	8300
Stall torque	mNm (oz-in)	129 (18.3)	249 (35)	258 (37)	200(28)
Average No-load current ¹⁾	mA	30	140	120	65
Typical starting voltage ¹⁾	V	--	--	--	--
Max. Recommended Values					
Max. continuous current	A	1.44	2.5	2	1.06
Max. continuous torque	mNm (oz-in)	48 (6.8)	42 (5.9)	41 (5.8)	41 (5.8)
Max. angular acceleration	10 ³ rad/s ²	186	165	160	157
Intrinsic Parameters					
Back-EMF constant	V/1000 rpm	3.6	1.88	2.3	4.3
Torque constant	mNm/A (oz-in/A)	34.4 (4.87)	18 (2.54)	22 (3.11)	41.1 (5.89)
Terminal resistance	ohm	4.2	1.3	2.05	7.4
Motor regulation R/k ²	10 ³ /Nms	3.4	4	4.2	4.4
Rotor inductance	mH	0.3	0.08	0.14	0.5
Rotor inertia	kgm ² 10 ⁻⁷	13	13	13	13
Mechanical time constant	ms	4.4	5.2	5.5	5.7

¹⁾ Single Shaft/double shaft

		Executions		
		Single Shaft	For E9	HED5
Gearbox	Page	25GT2R82	25GT2R82	25GT2R82
RG1/8	245	1	2	4
RG1/9	246	1	2	4
K38	244	1	2	4
R32	243	1	2	4
M22	240	5	6	--

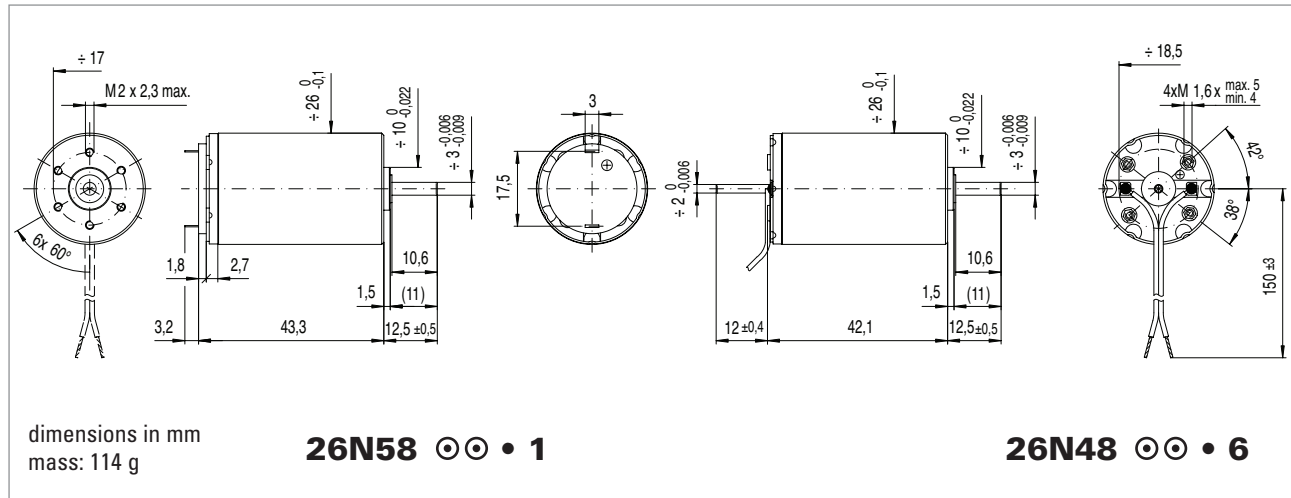
- Thermal resistance: rotor-body 5°C/W, body-ambient 11°C/W
- Thermal time constant - rotor / stator: 10 s / 450 s
- Max. rated coil temperature: 155°C
- Recom. ambient temperature range: -30°C to +125°C (-22°F to +257°F)
- Max. axial static force for press-fitted without holding shaft (sleeve/ball b.) 500 N / 100N
- Axial/radial play (ball bearings) neglectable
- Max axial/radial play (sleeve b.) 150µm/30µm
- Shaft runout: ≤ 10 µm
- Max. side load at 5 mm from mounting face: sleeve bearings 8 N, ball bearings 25 N
- Motor fitted with ball bearings (sleeve bearings optional)
- 83 Communication is recommended for servo applications

Max. Recommended Speed



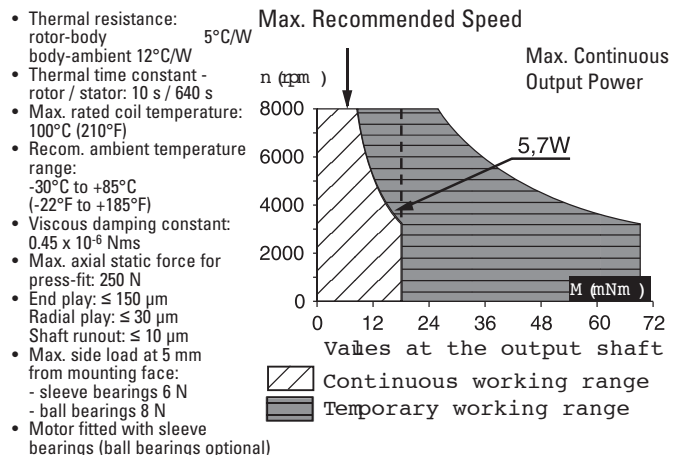
5.7 Watt

Precious Metal Commutation System - 9 Segments



Winding Type	☉☉	-216P	-216E	-113	-110
Measured Values					
Measuring voltage	V	6	12	15	24
No-load speed	rpm	4500	4700	5500	6700
Stall torque	mNm (oz-in)	29.6 (4.19)	28.6 (4.06)	25 (3.5)	25 (3.54)
Average No-load current	mA	31	16	15	20
Typical starting voltage	V	0.08	0.15	0.2	0.28
Max. Recommended Values					
Max. continuous current	A	1.47	0.74	0.60	0.41
Max. continuous torque	mNm (oz-in)	17.9 (2.5)	17.3 (2.4)	15.1 (2.1)	13.3 (1.88)
Max. angular acceleration	10 ³ rad/s ²	119	115	100	89
Intrinsic Parameters					
Back-EMF constant	V/1000 rpm	1.29	2.5	2.7	3.5
Torque constant	mNm/A (oz-in/A)	12.3 (1.74)	23.9 (3.38)	25.8 (3.65)	33.5 (4.74)
Terminal resistance	ohm	2.5	10	15.2	32
Motor regulation R/k ²	10 ³ /Nms	16	18	23	29
Rotor inductance	mH	0.2	0.8	1.1	1.7
Rotor inertia	kgm ² 10 ⁻⁷	6	6	6.7	6
Mechanical time constant	ms	9.7	11	14	17

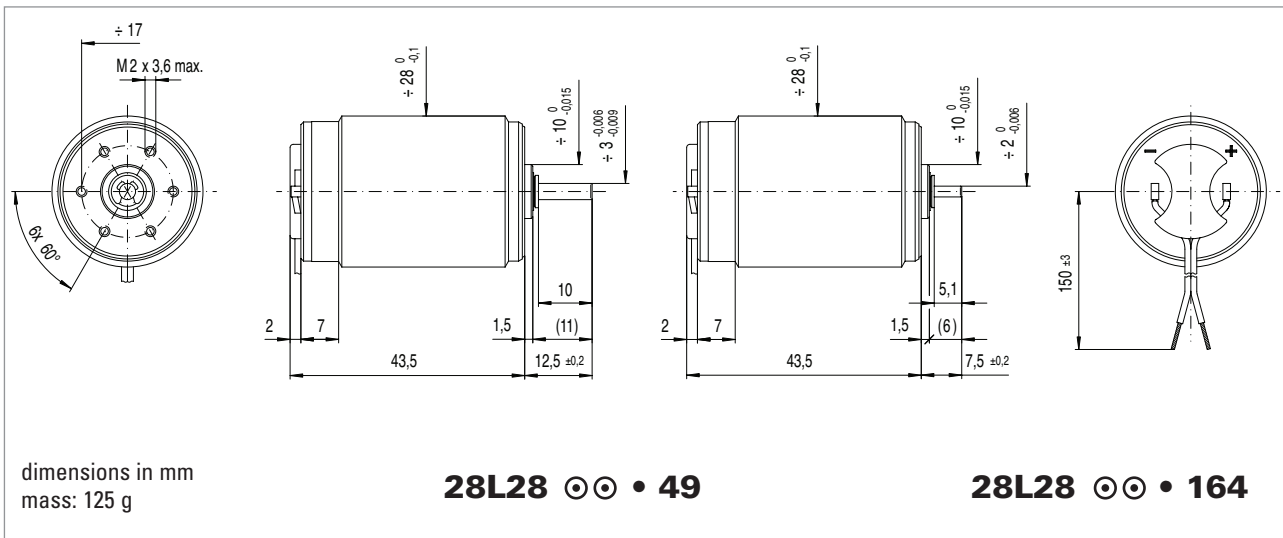
Executions			
		Single Shaft	Double Shaft for E9
Gearbox	Page	26N58--	26N48--
R22	239	5	9
M22	240	5	9
K24	241	5	9
K27	242	5	9
RG1/8	245	1	6
RG1/9	246	1	6
K38	244	1	6



28L28

Precious Metal Commutation System - 9 Segments

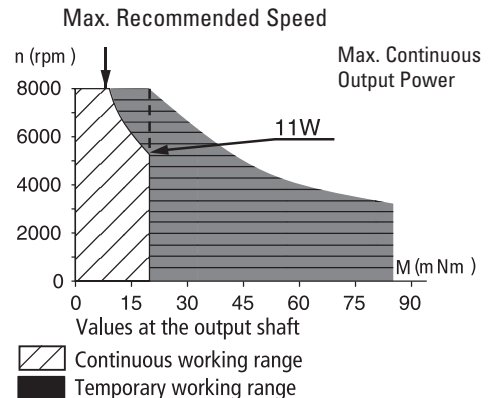
11 Watt



Winding Type	☉☉	-219	-416E	-413E	-410E	-410
Measured Values						
Measuring voltage	V	12.0	24.0	28.0	36.0	36.0
No-load speed	rpm	5300	5600	5300	5000	5000
Stall torque	mNm (oz-in)	43 (6.11)	50 (7.08)	42 (5.96)	34 (4.87)	34 (4.87)
Average No-load current	mA	22.0	11.0	8.8	6.6	6.6
Typical starting voltage	V	0.10	0.15	0.20	0.40	0.40
Max. Recommended Values						
Max. continuous current	A	0.95	0.53	0.40	0.28	0.28
Max. continuous torque	mNm (oz-in)	19.9 (2.82)	21.0 (2.97)	19.7 (2.78)	18.3 (2.58)	18.3 (2.58)
Max. angular acceleration	10 ³ rad/s ²	77	48	58	67	67
Intrinsic Parameters						
Back-EMF constant	V/1000 rpm	2.24	4.26	5.20	7.1	7.1
Torque constant	mNm/A (oz-in/A)	21.4 (3.03)	40.7 (5.76)	49.7 (7.03)	67.8 (9.60)	67.8 (9.60)
Terminal resistance	ohm	5.95	19.5	33.0	71.0	71.0
Motor regulation R/k ²	10 ³ /Nms	13	12	13	15	15
Rotor inductance	mH	0.50	2.40	3.20	7.1	7.1
Rotor inertia	kgm ² 10 ⁻⁷	10.40	17.50	13.50	11.00	11.00
Mechanical time constant	ms	14	21	18	17	17

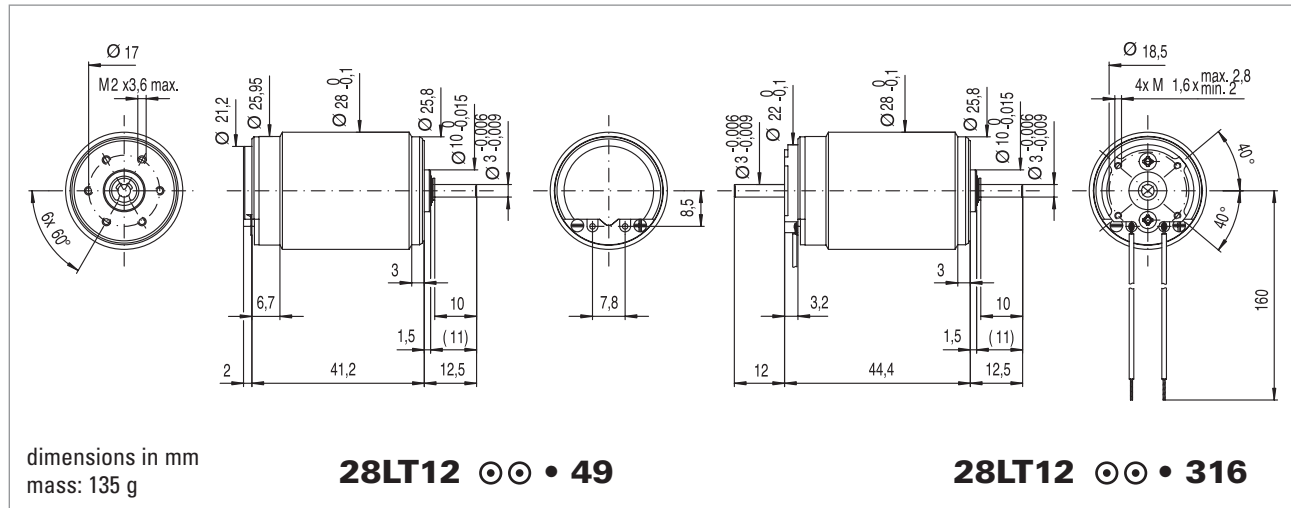
Executions			
		Single Shaft	Double Shaft for E9
Gearbox	Page	28L28	28L18
R22	239	164	317
M22	240	164	317
RG1/8	245	49	315
RG1/9	246	49	315
R32	243	49	315
K38	244	49	315
K40	247	49	315

- Thermal resistance: rotor-body 5 °C/W
body-ambient 12 °C/W
- Thermal time constant - rotor / stator: 20 s / 760 s
- Max. rated coil temperature: 100°C (210°F)
- Recom. ambient temperature range: -30°C to +85°C (-22°F to +185°F)
- Viscous damping constant: 0.5 x 10⁻⁶ Nms



21 Watt

Graphite/Copper Commutation System - 9 Segments



dimensions in mm
mass: 135 g

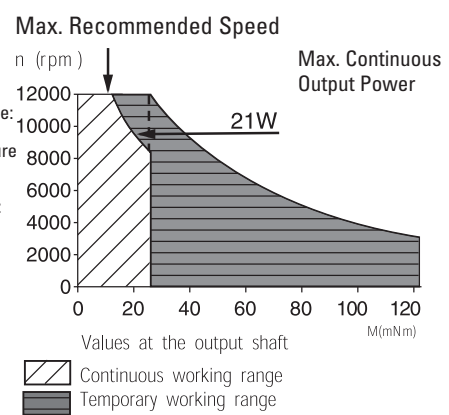
28LT12 ☉☉ • 49

28LT12 ☉☉ • 316

Winding Type	☉☉	-219	-416E
Measured Values			
Measuring voltage	V	18.0	32.0
No-load speed	rpm	7900	7400
Stall torque	mNm (oz-in)	63 (8.86)	65 (9.26)
Average No-load current	mA	65.0	35.0
Typical starting voltage	V	--	--
Max. Recommended Values			
Max. continuous current	A	1.13	0.63
Max. continuous torque	mNm (oz-in)	22.8 (3.23)	24.2 (3.42)
Max. angular acceleration	10 ³ rad/s ²	107	68
Intrinsic Parameters			
Back-EMF constant	V/1000 rpm	2.24	4.26
Torque constant	mNm/A (oz-in/A)	21.4 (3.03)	40.7 (5.76)
Terminal resistance	ohm	6.15	19.9
Motor regulation R/k ²	10 ³ /Nms	13	12
Rotor inductance	mH	0.50	2.40
Rotor inertia	kgm ² 10 ⁻⁷	10.70	17.80
Mechanical time constant	ms	14	21

Executions			
		Single Shaft	Double Shaft for E9
Gearbox	Page	28LT12--	28LT12--
R22	239	164	--
M22	240	164	--
RG1/8	245	49	316
RG1/9	246	49	316
R32	243	49	316
K38	244	49	316
K40	247	49	316

- Thermal resistance: rotor-body 5 °C/W body-ambient 12 °C/W
- Thermal time constant - rotor / stator: 17s / 760 s
- Max. rated coil temperature: 155°C (210°F)
- Recom. ambient temperature range: -30°C to +125°C (-22°F to +257°F)
- Viscous damping constant: 0.5 x 10⁻⁶ Nms
- Max. axial static force for press-fit: 250 N
- End play: ≤ 150 µm
- Radial play: ≤ 18 µm
- Shaft runout: ≤ 10 µm
- Max. side load at 5 mm from mounting face - sleeve bearings 6 N - ball bearings 8 N
- Motor fitted with sleeve bearings (ball bearings optional)
- Optional RFI filters

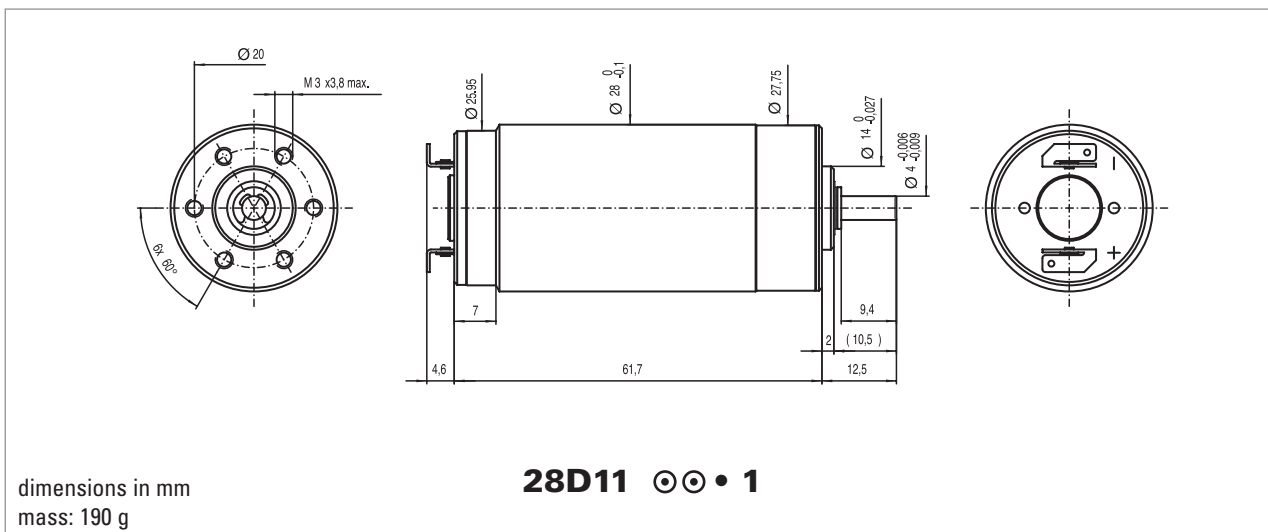


Brushed DC

28D11

Precious Metal Commutation System - 13 Segments

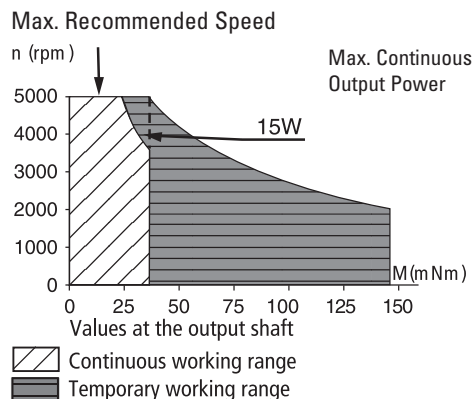
15 Watt



Winding Type	☉☉	-219P	-219E
Measured Values			
Measuring voltage	V	12.0	24.0
No-load speed	rpm	5800	6000
Stall torque	mNm (oz-in)	94 (13.27)	95 (13.47)
Average No-load current	mA	44.0	22.0
Typical starting voltage	V	0.15	0.30
Max. Recommended Values			
Max. continuous current	A	1.50	0.91
Max. continuous torque	mNm (oz-in)	28.4 (4.0)	33.6 (4.8)
Max. angular acceleration	10 ³ rad/s ²	77	76
Intrinsic Parameters			
Back-EMF constant	V/1000 rpm	2.05	3.95
Torque constant	mNm/A (oz-in/A)	19.5 (2.76)	37.7 (5.33)
Terminal resistance	ohm	2.50	9.5
Motor regulation R/k ²	10 ³ /Nms	6.56	6.69
Rotor inductance	mH	0.30	1.10
Rotor inertia	kgm ² 10 ⁻⁷	17.60	17.60
Mechanical time constant	ms	12	12

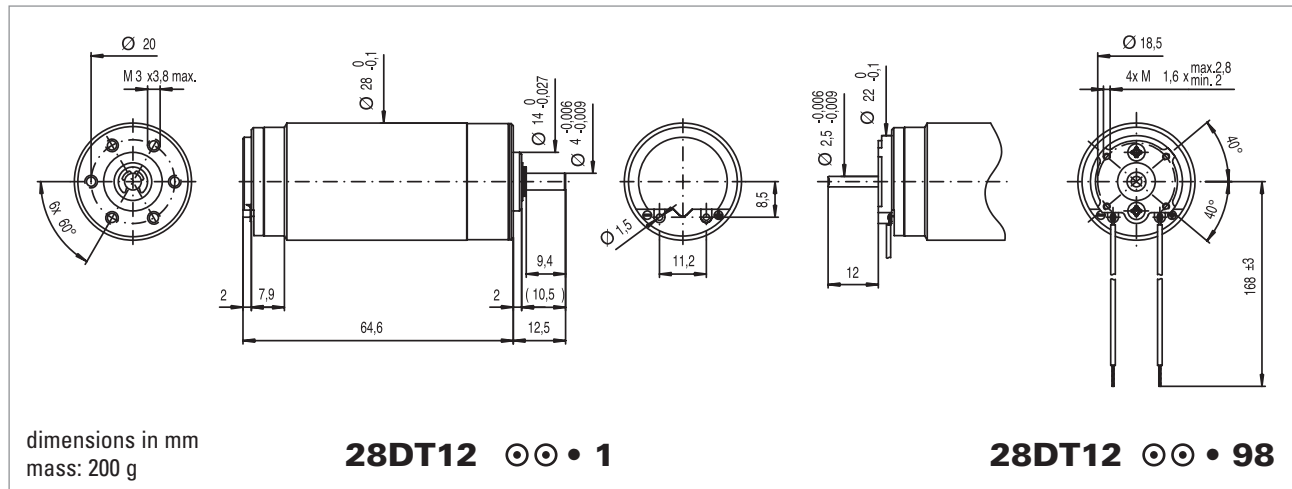
Executions		
		Single Shaft
Gearbox	Page	28D11--
R32	243	4

- Thermal resistance: rotor-body 4 °C/W, body-ambient 8 °C/W
- Thermal time constant - rotor / stator: 18s / 630 s
- Max. rated coil temperature: 100°C (210°F)
- Recom. ambient temperature range: -30°C to +85°C (-22°F to +185°F)
- Viscous damping constant: 1 x 10⁻⁶ Nms
- Max. axial static force for press-fit: 500 N
- End play: ≤ 150 µm
Radial play: ≤ 25 µm
Shaft runout: ≤ 10 µm
- Max. side load at 5 mm from mounting face
- sleeve bearings 8 N
- ball bearings 10 N
- Motor fitted with sleeve bearings (ball bearings optional)



37 Watt

Graphite/Copper Commutation System - 13 Segments

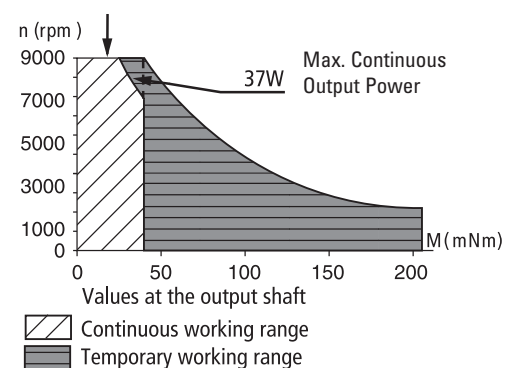


Winding Type	☉☉	-222P	-219P	-222E	-219E
Measured Values					
Measuring voltage	V	12	15	24	28
No-load speed	rpm	6800	7100	6800	6900
Stall torque	mNm (oz-in)	102 (14.4)	101 (14.3)	126 (17.8)	107 (15.1)
Average No-load current	mA	210	180	110	90
Typical starting voltage	V	--	--	--	--
Max. Recommended Values					
Max. continuous current	A	2.5	2	1.4	1.1
Max. continuous torque	mNm (oz-in)	37 (5.2)	35 (5.0)	41 (5.8)	37 (5.2)
Max. angular acceleration	10 ³ rad/s ²	91	98	102	104
Intrinsic Parameters					
Back-EMF constant	V/1000 rpm	1.70	2.05	3.40	3.95
Torque constant	mNm/A (oz-in/A)	14.9 (2.11)	19.5 (2.76)	32.5 (4.60)	37.7 (5.33)
Terminal resistance	ohm	1.6	2.9	6.2	9.9
Motor regulation R/k ²	10 ³ /Nms	7.3	7.6	5.9	7
Rotor inductance	mH	0.20	0.30	0.75	1.10
Rotor inertia	kgm ² 10 ⁻⁷	20	18	20	18
Mechanical time constant	ms	15	14	12	13

Executions			
		Single Shaft	Double Shaft for E9
Gearbox	Page	28DT12--	28DT12--
R32	243	4	106
R40	248	1	98

- Thermal Resistance: rotor-body 4 °C/W, body-ambient 8 °C/W
- Thermal time constant - rotor / stator: 18s / 630 s
- Max. rated coil temperature: 155°C (210°F)
- Recom. ambient temperature range: -30°C to +125°C (-22°F to +257°F)
- Viscous damping constant: 1 x 10⁻⁶ Nms
- Max. axial static force for press-fit: 500 N
- End play: ≤ 150 µm
- Radial play: ≤ 25 µm
- Shaft runout: ≤ 10 µm
- Max. side load at 10 mm from mounting face
 - sleeve bearings 8 N
 - ball bearings 10 N
- Motor fitted with sleeve bearings (ball bearings optional)
- Optional RFI filter

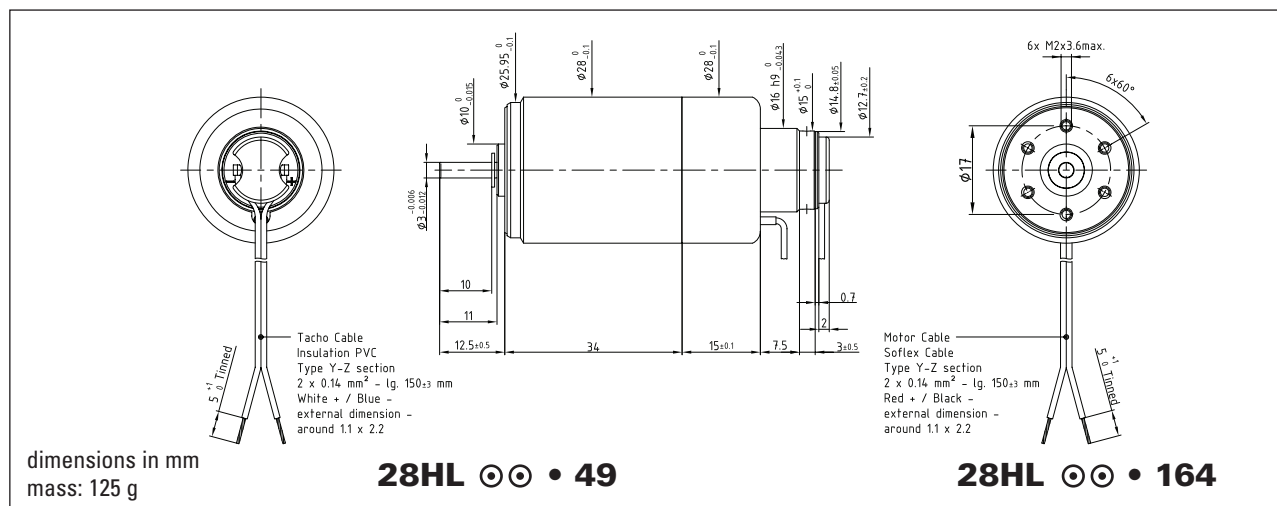
Max. Recommended Speed



28HL

Precious Metal Commutation System - 9 Segments

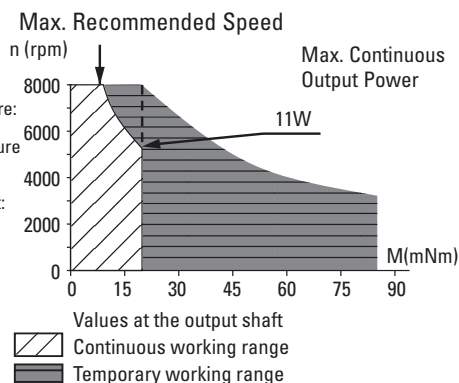
11 Watt



Winding Type	☉☉	-219	-416E
Measured Values			
Measuring voltage	V	12.0	24.0
No-load speed	rpm	5300	5600
Stall torque	mNm (oz-in)	43 (8.86)	50 (7.08)
Average No-load current	mA	22.0	11.0
Typical starting voltage	V	0.10	0.15
Max. Recommended Values			
Max. continuous current	A	0.95	0.53
Max. continuous torque	mNm (oz-in)	19.9 (2.82)	21.0 (2.97)
Max. angular acceleration	10 ³ rad/s ²	77	48
Intrinsic Parameters			
Back-EMF constant	V/1000 rpm	2.24	4.26
Torque constant	mNm/A (oz-in/A)	21.4 (3.03)	40.7 (5.76)
Terminal resistance	ohm	6.15	19.5
Motor regulation R/k ²	10 ³ /Nms	13	12
Rotor inductance	mH	0.50	2.40
Rotor inertia	kgm ² 10 ⁻⁷	10.70	17.50
Mechanical time constant	ms	14	21

		Executions	
		Single Shaft	Double Shaft for E9
Gearbox	Page	28HL--	28HL--
R22	239	164	317
M22	240	164	317
RG1/8	245	49	315
RG1/9	246	49	315
R32	243	49	315
K38	244	49	315
K40	247	49	315

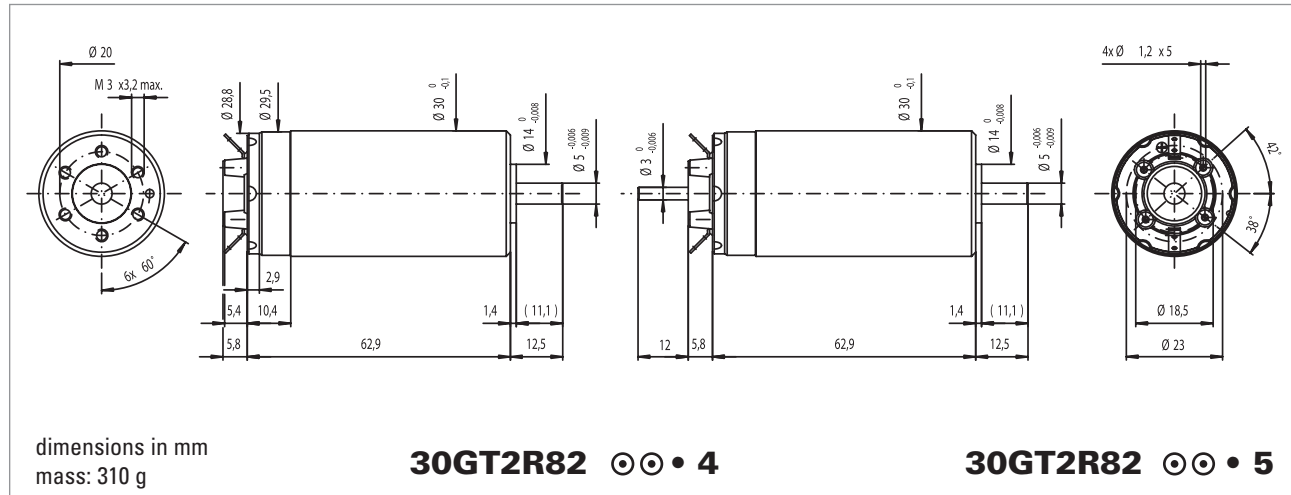
- Thermal resistance: rotor-body 5 °C/W
body-ambient 12 °C/W
- Thermal time constant - rotor / stator: 20s / 760 s
- Max. rated coil temperature: 100°C (210°F)
- Recom. ambient temperature range: -30°C to +85°C (-22°F to +185°F)
- Viscous damping constant: 0.5 x 10⁻⁹ Nms



Contact Portescap for Tacho specifications.

83 Watt

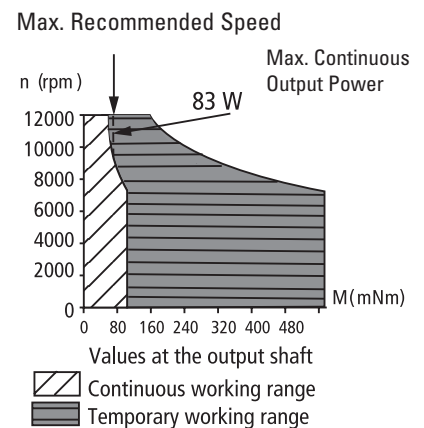
Graphite/Copper Commutation System - 13 Segments



Winding Type	☉☉	-234P	-234E
Measured Values			
Measuring voltage	V	15	35
No-load speed	rpm	7100	8600
Stall torque	mNm (oz-in)	628 (89)	847 (121)
Average No-load current	mA	180	90
Typical starting voltage	V	--	--
Max. Recommended Values			
Max. continuous current	A	4.5	2.5
Max. continuous torque	mNm (oz-in)	87 (12.3)	93 (13.2)
Max. angular acceleration	10 ³ rad/s ²	133	139
Intrinsic Parameters			
Back-EMF constant	V/1000 rpm	2	4.05
Torque constant	mNm/A (oz-in/A)	20.1 (2.84)	38.7 (5.5)
Terminal resistance	ohm	0.48	1.6
Motor regulation R/k ²	10 ³ /Nms	1.2	1.1
Rotor inductance	mH	0.06	0.24
Rotor inertia	kgm ² 10 ⁻⁷	33	33
Mechanical time constant	ms	3.9	3.5

Executions			
		Single Shaft	For E9
Gearbox	Page	30GT2R82	
R32	243	4	5
R40	248	4	5

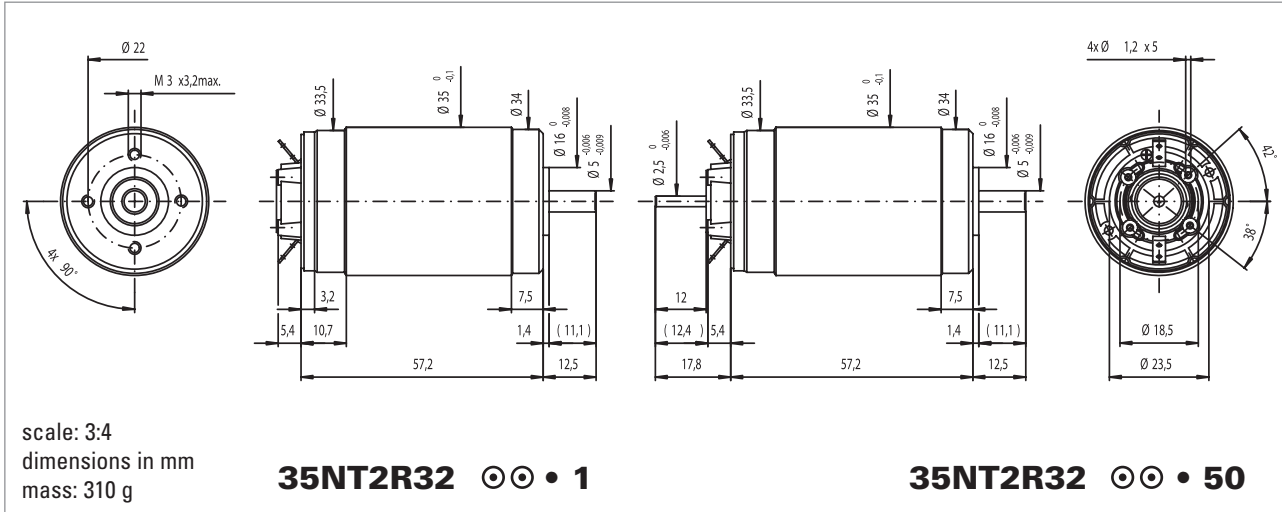
- Thermal Resistance: rotor-body 4.5 °C/W
body-ambient 9.0 °C/W
- Thermal time constant - rotor / stator: 40s / 920 s
- Max. rated coil temperature: 155°C
- Recom. ambient temperature range: -30°C to +125°C (-22°F to +257°F)
- Max. axial static force for press-fit: 100 N
- End play: negligible
- Radial play: negligible
- Shaft runout: ≤ 10 µm
- Max. side load at 10 mm from mounting face - ball bearings 35 N
- Motor fitted with ball bearings
- 83 Commutation is recommended for servo applications
- For filter add 'F' to designation before coil
- On request available with HP encoder and brake



35NT2R32

Graphite/Copper Commutation System - 13 Segments

52 Watt

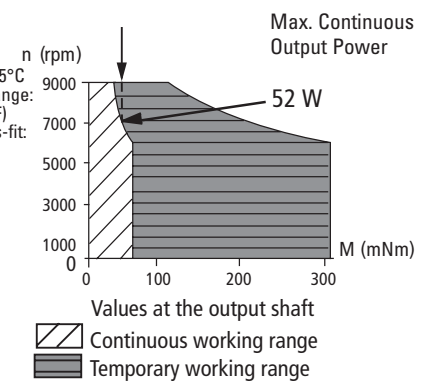


Winding Type	☉☉	-228P	-228E	-416SP
Measured Values				
Measuring voltage	V	9.0	15.0	24.0
No-load speed	rpm	4990	4320	4370
Stall torque	mNm (oz-in)	151 (21)	148 (20.89)	149 (21.11)
Average No-load current	mA	180	90.0	50.0
Typical starting voltage	V	--	--	--
Max. Recommended Values				
Max. continuous current	A	3.3	1.87	1.18
Max. continuous torque	mNm (oz-in)	52 (7.4)	57.9 (8.2)	58.3 (8.3)
Max. angular acceleration	10 ³ rad/s ²	54	56	55
Intrinsic Parameters				
Back-EMF constant	V/1000 rpm	1.76	3.40	5.40
Torque constant	mNm/A (oz-in/A)	16.8 (2.38)	32.5 (4.60)	51.6 (7.30)
Terminal resistance	ohm	1.0	3.4	8.30
Motor regulation R/k ²	10 ³ /Nms	3.5	3.4	3.12
Rotor inductance	mH	0.13	0.52	1.30
Rotor inertia	kgm ² 10 ⁻⁷	48.00	48.00	52.00
Mechanical time constant	ms	17	15	16

Executions				
		Single Shaft	For E9	HED5
Gearbox	Page	35NT2R32	35NT2R32	35NT2R32
R32	243	54	66	35
K40	247	54	66	35
R40	248	54	66	35

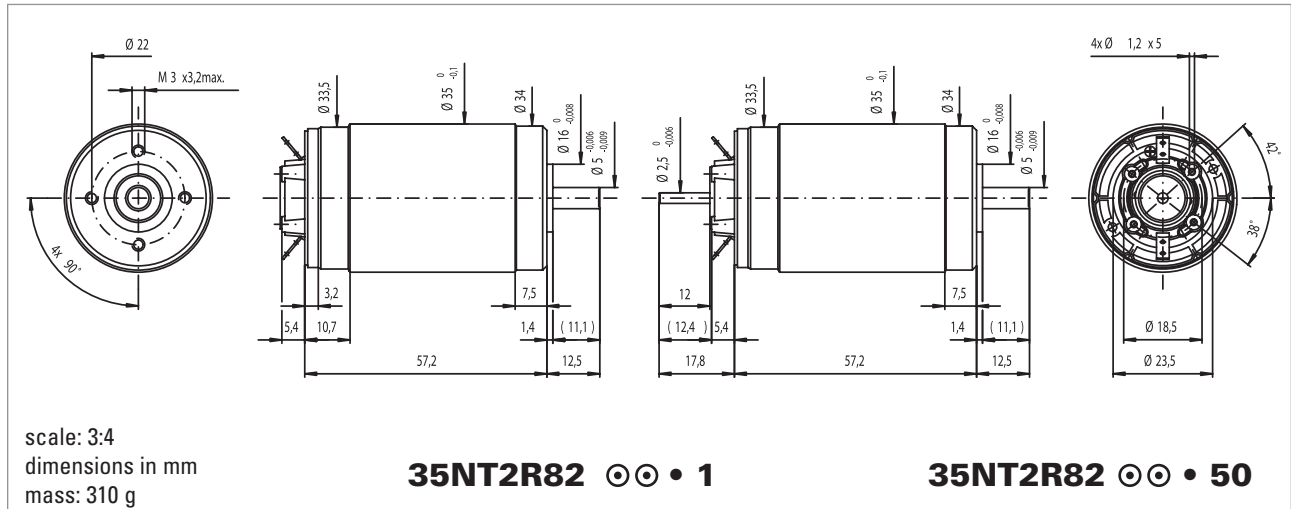
- Thermal Resistance: rotor-body 4 °C/W, body-ambient 8 °C/W
- Thermal time constant - rotor / stator: 40s / 920 s
- Max. rated coil temperature: 155°C
- Recom. ambient temperature range: -55°C to +125°C (-31°F to +257°F)
- Max. axial static force for press-fit: 100 N
- shaft supported: 1000N
- End play: negligible
- Radial play: negligible
- Shaft runout: ≤ 10 µm
- Max. side load at 5 mm from mounting face - ball bearings 35 N
- Motor fitted with ball bearings
- For filter add 'F' to designation before coil
- On request available with HP encoder and brake

Max. Recommended Speed



102 Watt

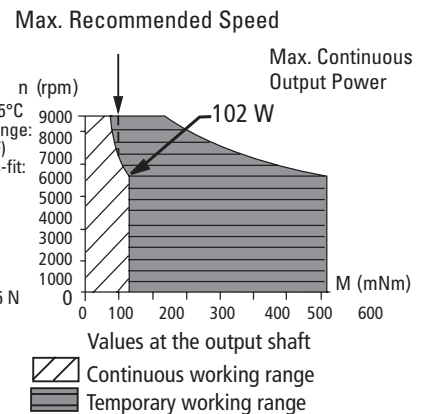
Graphite/Copper Commutation System - 13 Segments



Winding Type	☉☉	426P	426SP	426E	226E
Measured Values					
Measuring voltage	V	18	32	60	28
No-load speed	rpm	6700	5900	5700	6900
Stall torque	mNm (oz-in)	838 (117)	756 (107)	782 (111)	676 (96)
Average No-load current	mA	141	80	40	80
Typical starting voltage	V	--	--	--	--
Max. Recommended Values					
Max. continuous current	A	4.4	2.3	1.19	2.6
Max. continuous torque	mNm (oz-in)	108 (15.3)	115 (16.3)	114 (16.1)	97 (13.7)
Max. angular acceleration	10 ³ rad/s ²	122	125	128	144
Intrinsic Parameters					
Back-EMF constant	V/1000 rpm	2.65	5.40	10.4	4.02
Torque constant	mNm/A (oz-in/A)	25.4 (3.6)	52 (7.3)	99 (14.1)	38.4 (5.4)
Terminal resistance	ohm	0.86	2.20	7.7	1.6
Motor regulation R/k ²	10 ³ /Nms	1.3	0.83	0.77	1.1
Rotor inductance	mH	0.1	0.40	1.7	0.22
Rotor inertia	kgm ² 10 ⁻⁷	71.4	71.4	71.4	54
Mechanical time constant	ms	6.1	6	5.5	5.8

Executions				
		Single Shaft	For E9	HED5
Gearbox	Page	35NT2R82	35NT2R82	35NT2R82
R32	243	54	66	35
R40	248	54	66	35

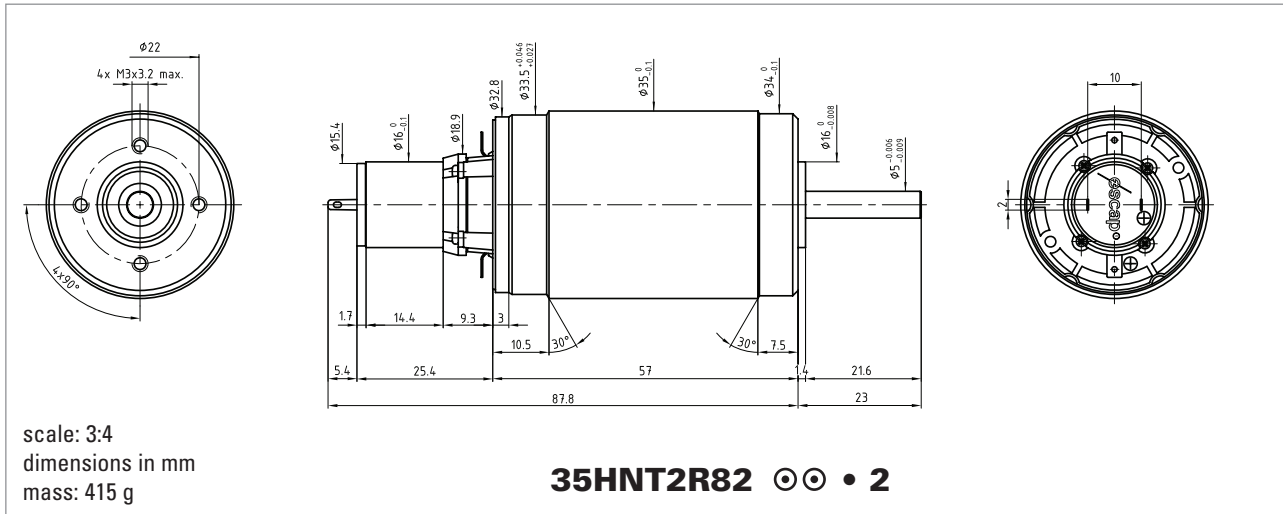
- Thermal Resistance: rotor-body 4 °C/W, body-ambient 8 °C/W
- Thermal time constant - rotor / stator: 40s / 920 s
- Max. rated coil temperature: 155°C
- Recom. ambient temperature range: -55°C to +125°C (-31°F to +257°F)
- Max. axial static force for press-fit: 100 N
- shaft supported: 1000N
- End play: negligible
- Radial play: negligible
- Shaft runout: ≤ 10 µm
- Max. side load at 5 mm from mounting face - ball bearings 35 N
- Motor fitted with ball bearings
- For filter add 'F' to designation before coil
- On request available with HP encoder and brake



35HNT2R82

Graphite/Copper Commutation System - 13 Segments

52 Watt



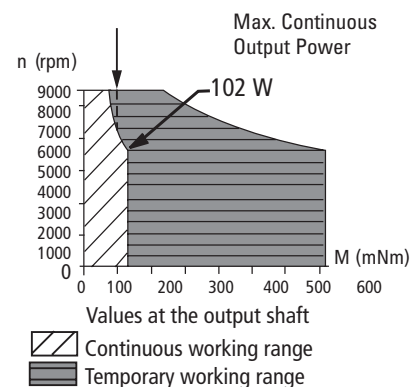
Winding Type	☉☉	-426SP	-416SP
Measured Values			
Measuring voltage	V	32.0	24.0
No-load speed	rpm	5900	4470
Stall torque	mNm (oz-in)	756 (107)	149 (21.11)
Average No-load current	mA	80.0	50.0
Typical starting voltage	V	--	--
Max. Recommended Values			
Max. continuous current	A	2.3	1.18
Max. continuous torque	mNm (oz-in)	115 (16.3)	58.3 (8.3)
Max. angular acceleration	10 ³ rad/s ²	125	55
Intrinsic Parameters			
Back-EMF constant	V/1000 rpm	5.40	5.40
Torque constant	mNm/A (oz-in/A)	52 (7.3)	51.6 (7.30)
Terminal resistance	ohm	2.20	8.30
Motor regulation R/k ²	10 ³ /Nms	0.83	3.12
Rotor inductance	mH	0.40	1.30
Rotor inertia	kgm ² 10 ⁻⁷	71.4	52.00
Mechanical time constant	ms	6	16

		Executions		
		Single Shaft	For E9	HED5
Gearbox	Page	35NT2R32	35NT2R32	35NT2R32
R32	243	54	66	35
K40	247	54	66	35
R40	248	54	66	35

Contact Portescap for Tacho specifications

- Thermal Resistance: rotor-body 4 °C/W, body-ambient 8 °C/W
- Thermal time constant - rotor / stator: 40s / 920 s
- Max. rated coil temperature: 155°C
- Recom. ambient temperature range: -55°C to +125°C (-31°F to +257°F)
- Max. axial static force for press-fit: 100 N
- shaft supported: 1000N
- End play: negligible
- Radial play: negligible
- Shaft runout: ≤ 10 µm
- Max. side load at 5 mm from mounting face - ball bearings 35 N
- Motor fitted with ball bearings
- For filter add 'F' to designation before coil
- On request available with HP encoder and brake

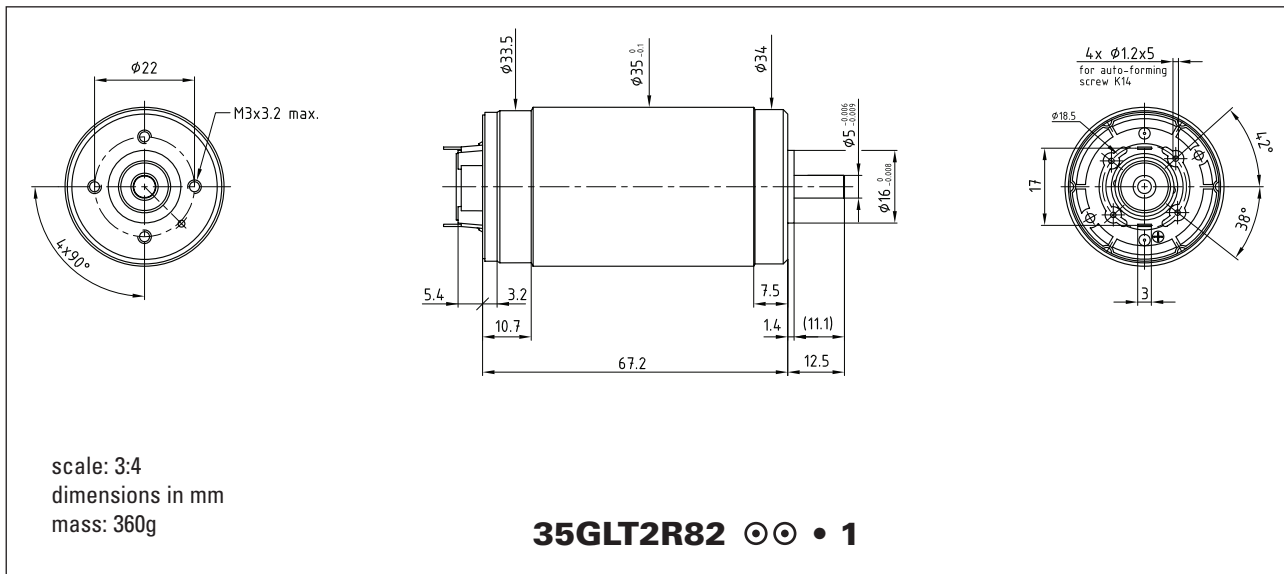
Max. Recommended Speed



35GLT2R82

150 Watt

Graphite/Copper Commutation System - 13 Segments

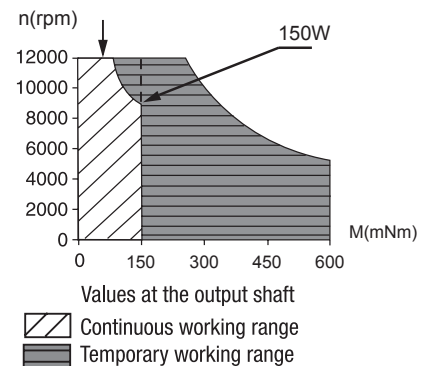


Winding Type	⊙ ⊙	426P	326P	234E	426SP	426E
Measured Values						
Measuring voltage	V	24	24	48	48	90
No-load speed	rpm	5800	5800	7500	6200	5500
Stall torque	mNm	1421	1053	1300	1409	1487
Average No-load current	mA	120	120	70	60	40
Typical starting voltage	V					
Max. Recommended Values						
Max. continuous current	A	4.10	3.60	2.20	2.10	1.05
Max. continuous torque	mNm	155.6	137.5	129.9	151.0	158.6
Max. angular acceleration	10 ³ rad/s ²	148	140	160	139	185
Intrinsic Parameters						
Back-EMF constant	V/1000 rpm	4.09	4.09	6.37	7.74	16.40
Torque constant	mNm/A	39.1	39.1	61.0	74.0	157.0
Terminal resistance	Ohms	0.66	0.9	2.25	2.52	9.5
Motor regulation R/k ²	10 ³ /Nms	0.43	0.59	0.61	0.46	0.39
Rotor inductance	mH	0.10	0.15	0.25	0.40	1.70
Rotor inertia	kgm ² 10 ⁻⁷	83.00	75.00	65.00	56.00	70.00
Mechanical time constant	ms	3.6	4.4	4.0	4.0	2.7

Executions				
		Single Shaft	For E9	HED5
Gearbox	Page	35GLT2R82		
R32	243	1	50	35
R40	248	1	50	35

- Thermal resistance : rotor-body 4°C/W body-ambient 8°C/W
- Thermal time constant – rotor/stator: 40s / 920s
- Max. rated coil temperature: 155°C
- Recom. Ambient temperature range: -55°C to +125°C (-31°F to +257°F)
- Max axial static force for press-fit: 100N
Shaft supported: 1000N
- End play: negligible
Radial play: negligible
Shaft runout: ≤10µm
- Max. side load at 5mm from mounting face – ball bearings 35N
- Motor fitted with ball bearings
- For filter add 'F' to designation before coil.
- On request available with HP encoder and brake

Max. Recommended Speed



Notes

A large grid of graph paper for taking notes, consisting of 20 columns and 30 rows of small squares.